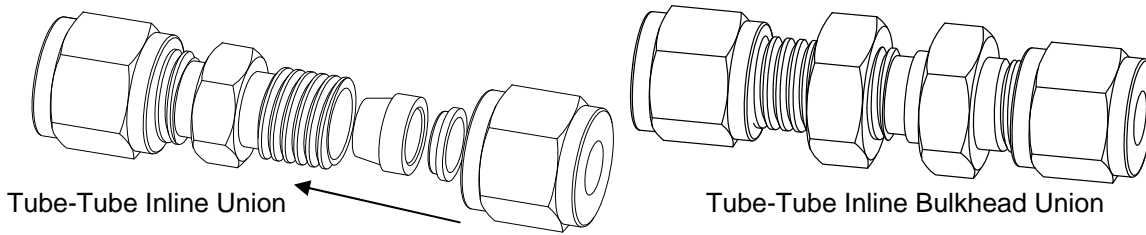


## TUBE - TUBE INLINE COMPRESSION UNIONS



Tube-Tube Inline Union

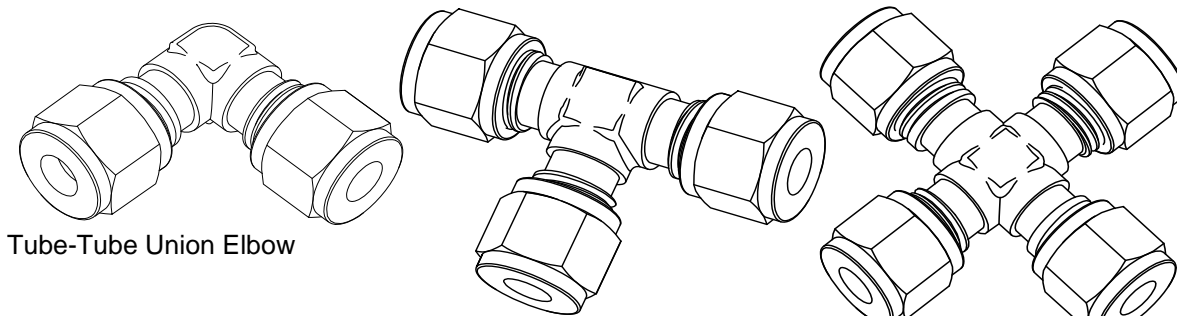
Tube-Tube Inline Bulkhead Union

**Available in Metric & Imperial Sizes**

Imperial Sizes Include:  
 $\frac{1}{8}$ " ,  $\frac{1}{4}$ " ,  $\frac{3}{8}$ " ,  $\frac{1}{2}$ " ,  $\frac{5}{8}$ " ,  
 $\frac{3}{4}$ " , 1"

Prices - On Application

## TUBE - TUBE TEES & ELBOW COMPRESSION UNIONS



Tube-Tube Union Elbow

Tube-Tube Union Tee

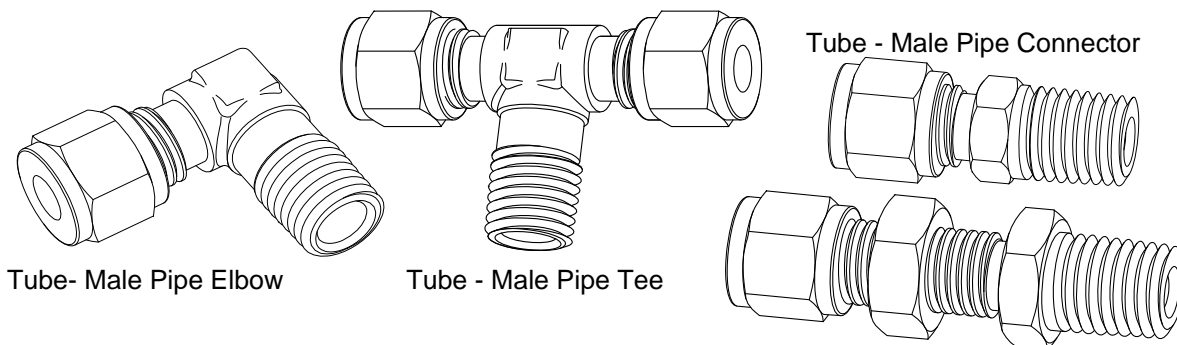
Tube-Tube Union Cross

**Available in Metric & Imperial Sizes**

Imperial Sizes Include:  
 $\frac{1}{8}$ " ,  $\frac{1}{4}$ " ,  $\frac{3}{8}$ " ,  $\frac{1}{2}$ " ,  $\frac{5}{8}$ " ,  
 $\frac{3}{4}$ " , 1"

Prices - On Application

## TUBE - MALE PIPE COMPRESSION ADAPTORS



Tube - Male Pipe Elbow

Tube - Male Pipe Tee

Tube - Male Pipe Connector

Tube - Male Pipe Bulkhead Connector

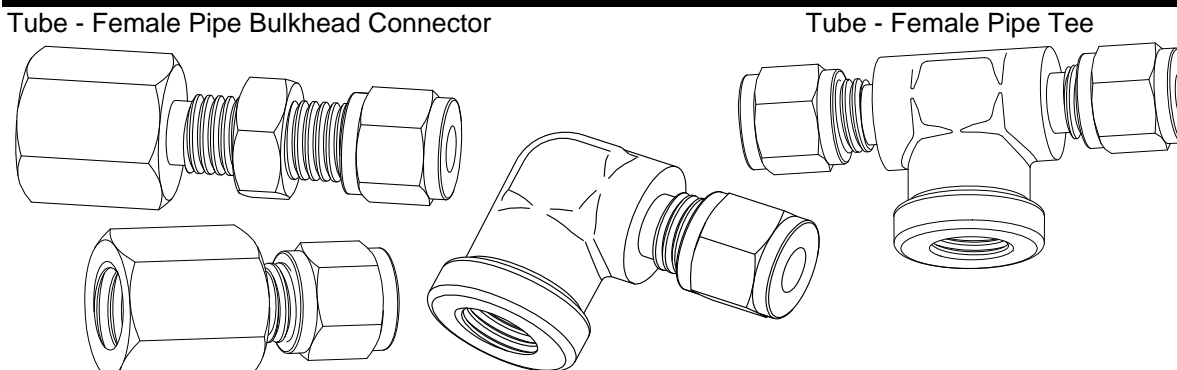
**Available in Metric & Imperial Sizes**

Imperial Sizes Include:  
 $\frac{1}{8}$ " ,  $\frac{1}{4}$ " ,  $\frac{3}{8}$ " ,  $\frac{1}{2}$ " ,  $\frac{5}{8}$ " ,  
 $\frac{3}{4}$ " , 1"

Available with BSP & NPT  
 Pipe Treated Ends

Prices - On Application

## TUBE - FEMALE PIPE COMPRESSION ADAPTORS



Tube - Female Pipe Bulkhead Connector

Tube - Female Pipe Tee

Tube - Female Pipe 90° Elbow

Tube - Female Pipe Connector

**Available in Metric & Imperial Sizes**

Imperial Sizes Include:  
 $\frac{1}{8}$ " ,  $\frac{1}{4}$ " ,  $\frac{3}{8}$ " ,  $\frac{1}{2}$ " ,  $\frac{5}{8}$ " ,  
 $\frac{3}{4}$ " , 1"

Available with BSP & NPT  
 Pipe Treated Ends

Prices - On Application

**NOTE: Only annealed tubing is recommended for use with compression fittings - Available ex stock**