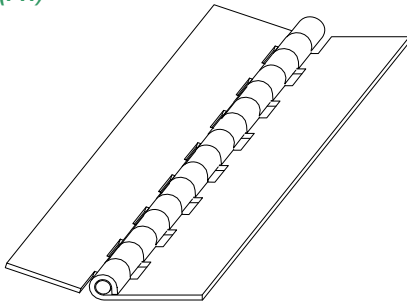


PIANO HINGE

(PH)

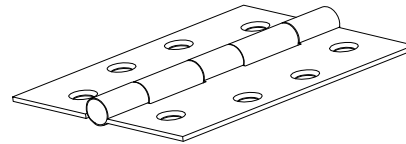


SIZE		PRICE
25mm	(open)	50.00
38mm	(open)	57.00
50mm	(open)	63.00

Available in 1800mm Lengths

BUTT HINGES

(BH)



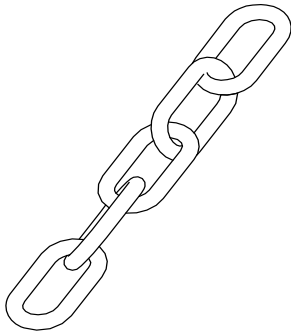
Width/ Length	PRICE
40x50	8.00
70x50	10.00
60x85	11.50
75x100	14.00

HEAVY DUTY

75x100	36.50
100x100	44.50

(BHHD)

STAINLESS STEEL CHAIN



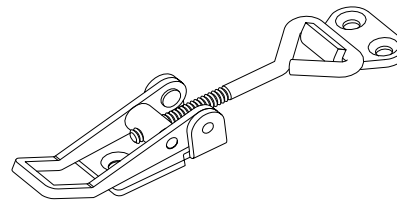
SIZE	Under Packed	
	30M	30M
2mm	10.00	8.00
2.5mm	11.00	9.00
3mm	11.00	9.00
4mm	15.00	13.00
5mm	17.00	14.00
6mm	28.00	24.00
8mm	60.00	52.00

(SSC1) (SSC3)

TOGGLE CLAMPS

(TC)

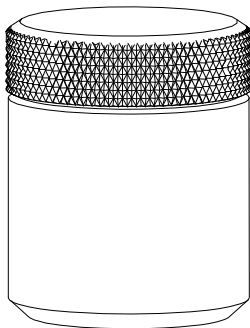
(TCHD)



SIZE	PRICE
STANDARD	12.50
H/DUTY	27.50

GEORDI SEPTUM SAMPLING POINT

(SSP)



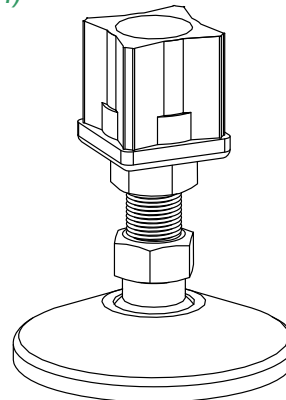
PRICE
125.00

Spare Seal to suit

(SSP1)	1.50
--------	------

ADJUSTABLE FEET

(AF1)



SIZE		PRICE
25mm	(SQR)	6.00
31mm	(SQR)	7.50
38mm		29.00
50mm		32.00

25 & 31mm only available to suit square.

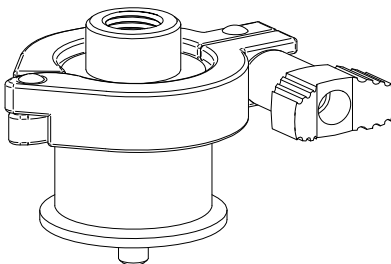
SPARE FEET

38mm	20.00
50mm	20.00

(AF2)

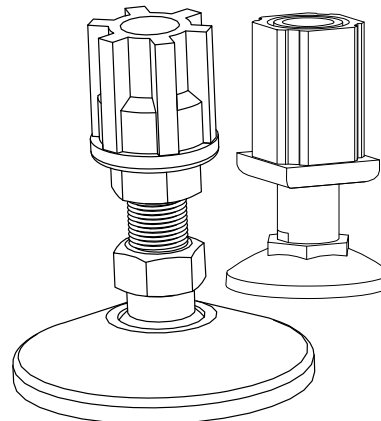
GEORDI AIR BLOW VALVE

(ABV5)



PRICE
520.00

Valve to allow compressed air to be blown into lines. Valve is closed/sealed in the inactive state.



SPARE INSERTS

38mm	9.00
50mm	12.00

(AF3)