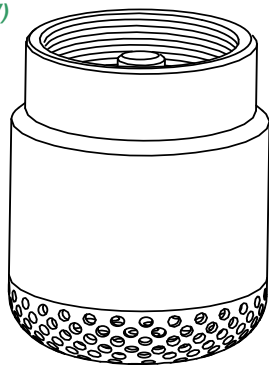


GEORDI BSP FOOT VALVE

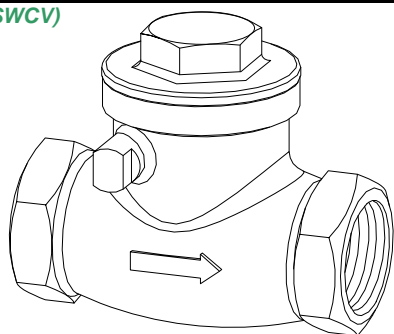
(BSPFV)



| SIZE | PRICE |
|-------|---------|
| 25mm | 385.00 |
| 38mm | 420.00 |
| 50mm | 540.00 |
| 63mm | 650.00 |
| 76mm | 840.00 |
| 100mm | 1230.00 |
| 125mm | 1900.00 |
| 150mm | 1900.00 |

BSP SWING CHECK VALVE

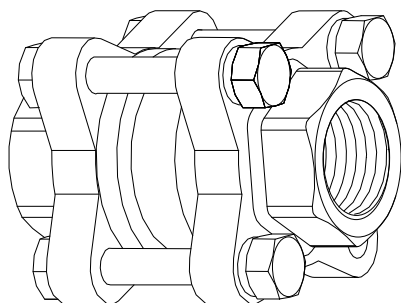
(SWCFV)



| SIZE | PRICE |
|------|--------|
| 12mm | 41.00 |
| 18mm | 47.00 |
| 25mm | 56.00 |
| 31mm | 94.00 |
| 38mm | 103.00 |
| 50mm | 122.00 |

BSP SPRING CHECK VALVE

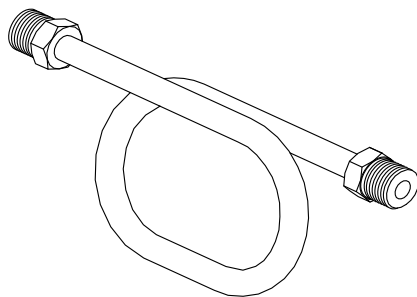
(SPCV)



| SIZE | PRICE |
|------|--------|
| 12mm | 49.00 |
| 18mm | 56.00 |
| 25mm | 75.00 |
| 31mm | 103.00 |
| 38mm | 131.00 |
| 50mm | 169.00 |

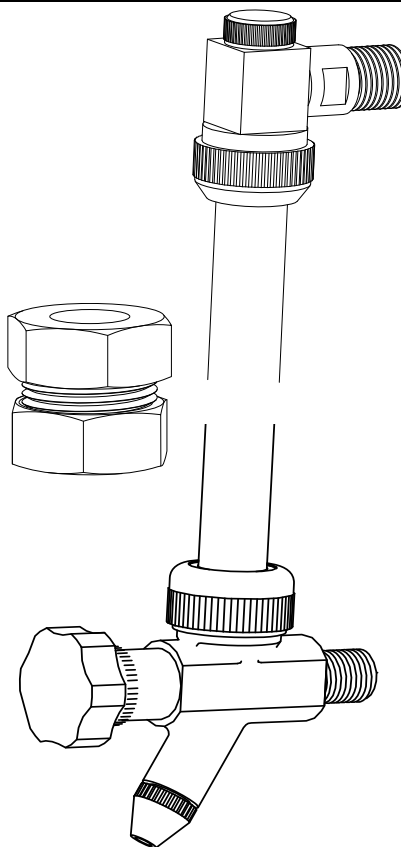
GEORDI BSP M/M PIGTAILS

(BPPT)



| SIZE | PRICE |
|------|--------|
| 6mm | 115.00 |
| 9mm | 115.00 |
| 12mm | 115.00 |

TANK SIGHT GLASS



UPPER LEVEL GAUGE

| SIZE | PRICE |
|------|--------|
| 12mm | 134.00 |

(SGT)

POLYCARBONATE TUBE TO SUIT

| SIZE | PRICE |
|---------|-----------|
| 22x19mm | 30.00/met |

(SGT1)

TANK SIGHT GLASS JOINER

| SIZE | PRICE |
|------|--------|
| 22mm | 180.00 |

(SGT2)

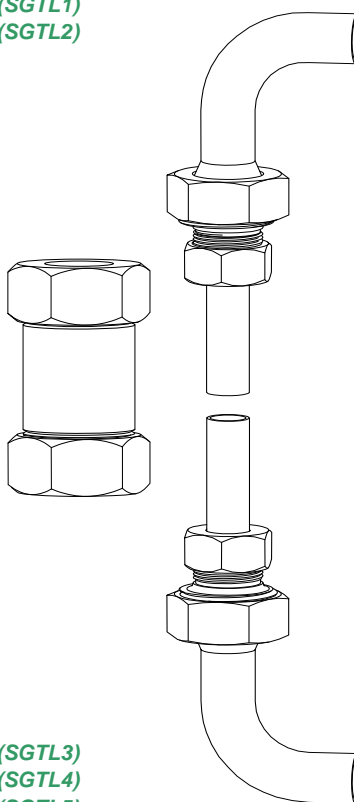
SAMPLE LEVEL COCK

| SIZE | PRICE |
|------|--------|
| 12mm | 185.00 |

(SG3W)

GEORDI TANK LEVEL SIGHT GLASS

(SGTL1)
(SGTL2)



| STANDARD SECTION (under 3 meters) & 90° Bends | PRICE |
|---|--------|
| | 415.00 |

| EXTENDED SECTION (over 3 meters) & 90° Bends | PRICE |
|--|--------|
| | 625.00 |

SPARE PARTS

| | |
|--------------------------------|--------|
| Tank level SG End Connector | 175.00 |
|--------------------------------|--------|

| | |
|-------------------------|--------|
| Tank level SG Joiner | 140.00 |
|-------------------------|--------|

| | |
|---------------------------------|-----------|
| Polycarbonate Tube (19x16mm) | 25.00/Mtr |
|---------------------------------|-----------|

(SGTL3)
(SGTL4)
(SGTL5)