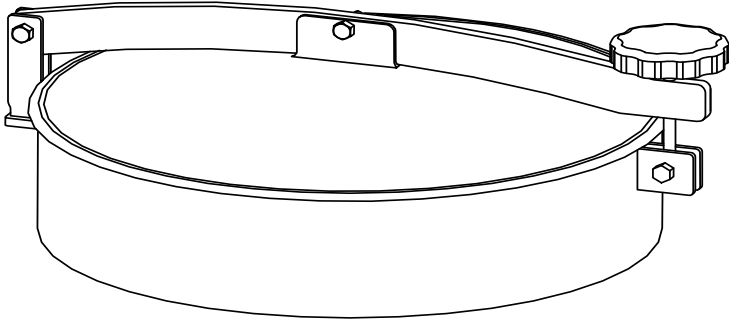


STAINLESS STEEL MANHOLES

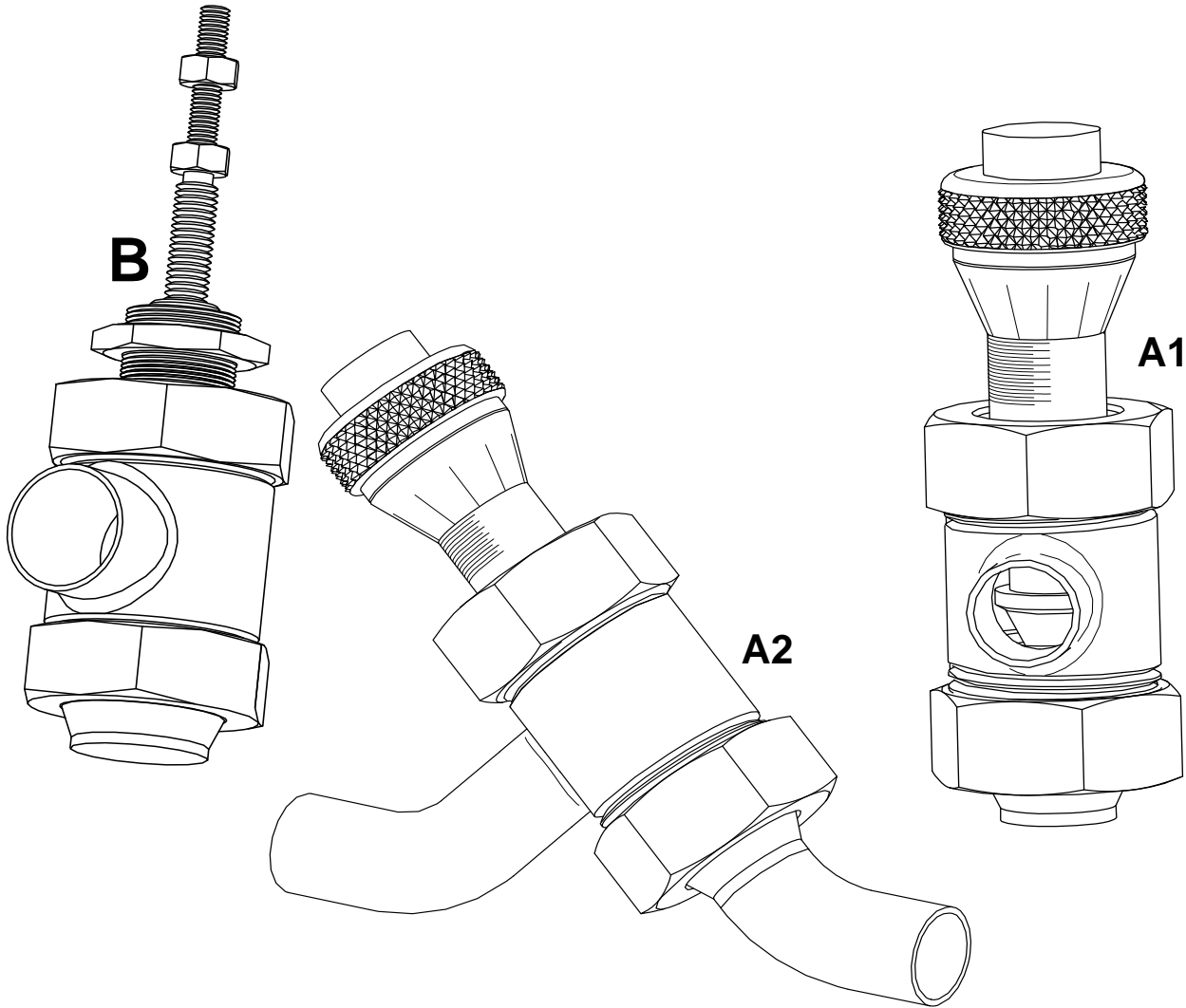
(MH)



Check with Geordi for pricing & availability once you decide on the following parameters:

- Material Grade (304 or 316)
- Size
- Shape (Round/Rectangle/Oval)
- Pressure Rating
- Seal Material
- Top or Side entry
- Outward or Inward opening

GEORDI FLOW CONTROL VALVES



**FULLY AUTOMATIC MODULATING VALVE -
PRICE ON APPLICATION**

SIZE	MANUAL (A1)	MANUAL (A2)	FOR AUTO (B)
25mm	1160.00	1225.00	1085.00
38mm	1160.00	1225.00	1085.00
50mm	1230.00	1325.00	1155.00
63mm	1600.00	1735.00	1530.00
76mm	2250.00	2395.00	2090.00
100mm	3540.00	3760.00	3225.00
	(FCV1)	(FCV2)	(FCV3)