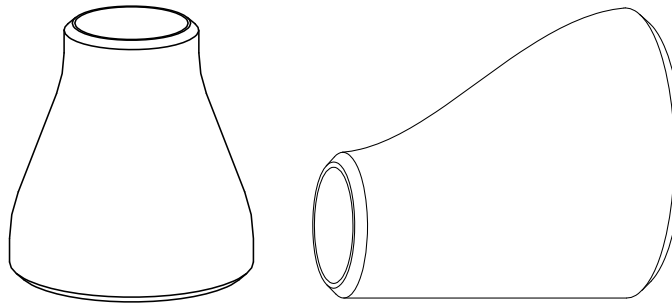


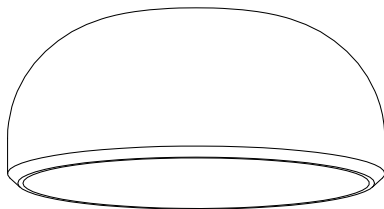
# PIPE CONCENTRIC & ECCENTRIC REDUCERS B/W 316



SIZE	Sch 10 316 CONC	Sch 40 316 CONC	Sch 10 316 ECC	Sch 40 316 ECC
18>12mm	3.00	3.50	3.50	4.50
25>12mm	5.00	6.00	6.00	7.00
25>18mm	5.00	6.00	6.00	7.00
31>25mm	6.00	7.00	7.50	8.00
38>25mm	8.00	10.00	10.00	12.00
38>31mm	8.00	10.00	10.00	12.00
50>25mm	12.00	15.00	16.00	18.00
50>31mm	12.00	15.00	16.00	18.00
50>38mm	10.00	13.00	13.00	15.00
63>38mm	16.00	24.00	20.00	28.00
63>50mm	15.00	23.00	19.00	27.00
76>50mm	19.00	31.00	23.00	33.00
76>63mm	18.00	29.00	21.00	31.00
100>50mm	29.00	55.00	36.00	60.00
100>63mm	27.00	50.00	33.00	55.00
100>76mm	25.00	45.00	30.00	50.00
125>76mm	47.00	82.00	56.00	85.00
125>100mm	43.00	76.00	50.00	79.00
150>76mm	63.00	122.00	76.00	140.00
150>100mm	61.00	117.00	72.00	130.00
150>125mm	59.00	112.00	68.00	120.00
200>100mm	105.00	210.00	130.00	250.00
200>125mm	100.00	200.00	115.00	230.00
200>150mm	95.00	190.00	100.00	210.00
250>150mm	POA	POA	POA	POA
250>200mm	POA	POA	POA	POA
300>200mm	POA	POA	POA	POA
300>250mm	POA	POA	POA	POA
	(10RC)	(40RC)	(10RE)	(40RE)

## PIPE END CAPS B/W 316

(10EC)  
(40EC)

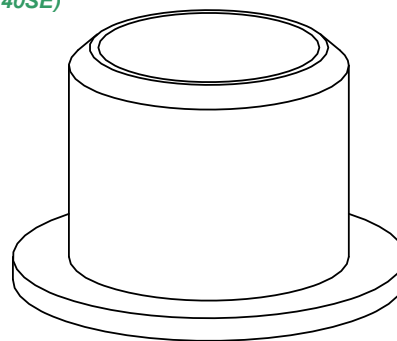


SIZE	Sch10	Sch40
12mm	5.00	6.00
18mm	5.50	6.50
25mm	6.00	8.00
31mm	7.00	9.00
38mm	8.50	11.00
50mm	11.00	14.00
63mm	14.00	20.00
76mm	20.00	34.00
100mm	30.00	50.00
125mm	60.00	90.00
150mm	80.00	120.00
200mm	115.00	200.00
250mm	POA	POA
300mm	POA	POA

## PIPE STUB END B/W 316

(10SE)  
(40SE)

TYPE B



SIZE	Sch10	Sch40
12mm	12.00	15.00
18mm	13.00	16.00
25mm	15.00	18.00
31mm	17.00	20.00
38mm	23.00	26.00
50mm	30.00	34.00
63mm	38.00	55.00
76mm	60.00	70.00
100mm	68.00	110.00
125mm	100.00	140.00
150mm	130.00	212.00
200mm	236.00	370.00
250mm	POA	POA
300mm	POA	POA