

GEORDI PRODUCT INDEX

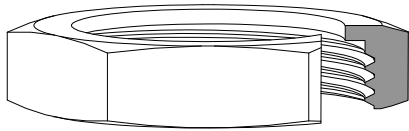
| ITEM | PAGE | DISC |
|----------------------|--------------|------|
| 3A Fittings | 11 | |
| Adaptors BSM/BSP | 6 | |
| Adjustable Feet | 48 | |
| Air Bleed Valves | 50 | |
| Angle | 55 | NETT |
| Angle Rings – Tube | 16 | |
| Australian CIP Seals | 2 | |
| Ball Valves | 39,40 | |
| Bar - Solid | 56 | NETT |
| Bends – Tube | 13,14 | |
| BSM Fittings | 1,2,3,4,5 | |
| BSM Fittings (2205) | 3 | |
| BSP Fittings | 26,27,28,28a | |
| BSP Y Strainer | 34 | |
| Butterfly Valves | | |
| -Geordi | 45 | |
| -Sudmo | 44 | |
| -Seals | 46 | |
| Butt Hinges | 48 | |
| Camlock Fittings | 21-22 | |
| Caps – Pipe | 30 | |
| Caps – Tube | 16 | |
| Ceiling Plate | 16 | |
| Chain | 48 | |
| Clamps (Tube & Pipe) | 18 | |
| Cleaning Chemicals | 57 | |
| Cut Discs - 316 | 49 | |
| Diaphragms | 41 | |
| Diaphragm Valves | 41 | |
| DIN Fittings | 10 | |
| Duplex Strainer | 34 | POA |
| Elbows – Pipe | 31 | |
| End Disc – Tube | 16 | |
| Epoxy Resin | 57 | |
| Expansion Joints | 36 | |
| Ferrule Fittings | 19,20,21 | |
| Flanges | | |
| -TABLE | 25 | |
| -ANSI & DIN | 25 | |
| -Gal-Backing | 25 | |
| -Gaskets | 25 | |
| Flat Bar | 56 | NETT |
| Flat Faced Fittings | 5 | |
| Float Valves | 37 | |
| Flow Control Valves | 38 | |
| Foot Valves | 43 | |
| Gas Tanks | 49 | POA |
| Gate Valve | 40 | |
| Globe Valve | 40 | |
| Hand Rail Fittings | 51-54 | |

www.geordi.com.au

| ITEM | PAGE | DISC |
|------------------------|----------|------|
| Hose Clamps | 18 | |
| Hosetails - BSM/PLAIN | 4 | |
| Hygienic Fittings | 7 | |
| IDF Fittings | 12 | |
| Jacket End Disc | 16 | |
| Lubricant - Hygienic | 57 | |
| Lobster Back Bends | 14 | |
| Manifolds | 15 | NETT |
| Manholes | 38 | POA |
| Non Return Valves | 42,43 | |
| NPT Fittings | 29 | |
| NZ Fittings | 8 | |
| Piano Hinge | 48 | |
| Pickling Paste | 57 | |
| Pipe | 55 | NETT |
| Pig Tails | 43 | |
| Plug Cocks | 40 | |
| Pressure Relief Valves | 47 | |
| Reducers – Pipe | 30 | |
| Reducers – Tube | 17 | |
| Reducing Liners | 4 | |
| Rotary Diverting Valve | 41 | |
| Rotating Tank Cleaner | 49 | |
| Saddles | 18 | |
| Safety Valves | 49 | |
| Sample Valves | 37 | |
| Septum Sample Point | 48 | |
| Sight Glass Valves | 43 | |
| Sight Glasses | 35,36 | |
| SMS Fittings | 9 | |
| Socket Weld Fittings | 29 | |
| Spanners | 3 | |
| Spray balls | 49 | |
| Spring Check Valve | 42 | |
| Strainers / Filters | 32,33,34 | |
| Stub End – Pipe | 30 | |
| Stub End – Tube | 16 | |
| Swing Bolts | 50 | |
| Swing Check Valve | 43 | |
| Swing Joints | 36 | |
| Tank Level Sight Glass | 43 | |
| Tees – Pipe | 31 | |
| Tees – Tube | 15 | |
| Toggle Clamps | 48 | |
| Tube | 55 | NETT |
| U Bolts | 49 | |
| Valenches | 24 | |
| Walk Plate | 49 | |
| Welding and Polishing | 56 | NETT |
| Wine Fittings | 23-24 | |

BSM HEX NUT (304)

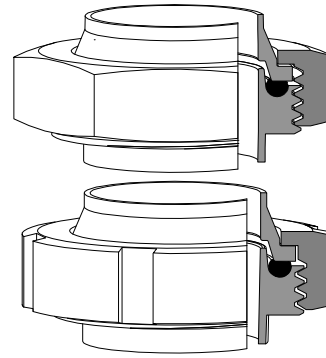
(BMN)



| SIZE | PRICE |
|-------|-------|
| 25mm | 6.00 |
| 38mm | 7.50 |
| 50mm | 10.00 |
| 63mm | 13.00 |
| 76mm | 14.50 |
| 100mm | 19.00 |
| 150mm | 67.00 |

[12mm/18mm](#) [Page 7](#)
[125mm](#) [Page 5](#)
[200mm \(slotted\)](#) [Page 5](#)

BSM UNION

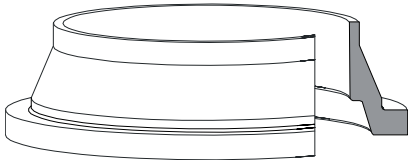


| SIZE | Hex Nut | Slotted Nut |
|-------|---------|-------------|
| 25mm | 19.00 | 24.00 |
| 38mm | 24.50 | 31.00 |
| 50mm | 30.50 | 36.00 |
| 63mm | 37.20 | 43.70 |
| 76mm | 44.20 | 52.20 |
| 100mm | 56.60 | 66.10 |
| 150mm | 159.00 | 167.00 |

(BMU) (BMUS)

BSM LINER (316)

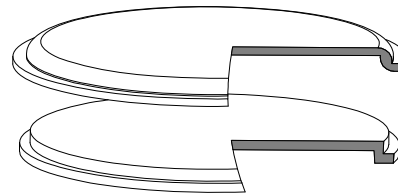
(BML)



| SIZE | PRICE |
|-------|-------|
| 25mm | 5.00 |
| 38mm | 6.00 |
| 50mm | 7.00 |
| 63mm | 8.50 |
| 76mm | 10.50 |
| 100mm | 13.00 |
| 150mm | 35.00 |

BSM BLANK CAPS (316)

(BMC)

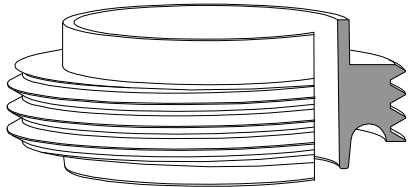


| SIZE | PRICE |
|---------------|-------|
| 25mm | 7.00 |
| 38mm | 8.50 |
| 50mm | 9.50 |
| 63mm | 13.00 |
| 76mm | 15.00 |
| 100mm | 25.00 |
| 150mm | 46.00 |
| *150mm (BMCM) | 95.00 |

*Machined

BSM MALE PART (316)

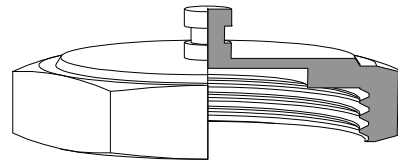
(BMM)



| SIZE | PRICE |
|-------|-------|
| 25mm | 7.00 |
| 38mm | 10.00 |
| 50mm | 12.50 |
| 63mm | 14.50 |
| 76mm | 18.00 |
| 100mm | 23.00 |
| 150mm | 49.00 |

BSM BLANK NUT (316)

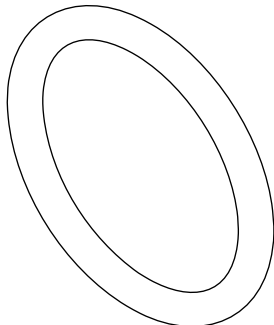
(BMBN)



| SIZE | PRICE |
|-------|--------|
| 25mm | 19.00 |
| 38mm | 21.00 |
| 50mm | 28.00 |
| 63mm | 36.00 |
| 76mm | 43.00 |
| 100mm | 54.00 |
| 125mm | 170.00 |
| 150mm | 170.00 |

BSM EPDM 'O'RING

(BMO1) (BMO2)

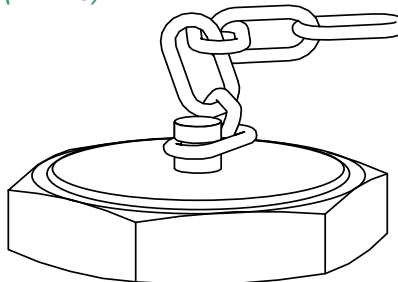


| SIZE | (1) | (500) |
|--------|-------|-------|
| 25mm | 1.00 | 0.75 |
| 38mm | 1.00 | 0.75 |
| 50mm | 1.00 | 0.75 |
| 63mm | 1.20 | 0.90 |
| 76mm | 1.20 | 0.90 |
| 100mm | 1.60 | 1.20 |
| *125mm | 13.00 | 10.00 |
| *150mm | 8.00 | 6.00 |

* Bulk price is for 200 pieces

BSM BLANK NUT C/W 300mm CHAIN

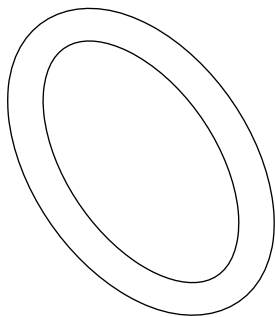
(BMBNC)



| SIZE | PRICE |
|-------|--------|
| 25mm | 31.00 |
| 38mm | 33.00 |
| 50mm | 40.00 |
| 63mm | 48.00 |
| 76mm | 55.00 |
| 100mm | 66.00 |
| 125mm | 182.00 |
| 150mm | 182.00 |

BSM TEFLON 'O'RINGS

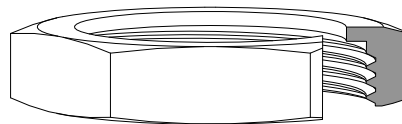
(BMTEF1) (BMTEF2)



| SIZE | (1) | (25) |
|-------|-------|-------|
| 25mm | 7.00 | 5.25 |
| 38mm | 8.00 | 6.00 |
| 50mm | 10.00 | 7.50 |
| 63mm | 11.00 | 8.25 |
| 76mm | 12.00 | 9.00 |
| 100mm | 18.00 | 13.50 |
| 150mm | 30.00 | 22.50 |

BSM 316 HEX NUT

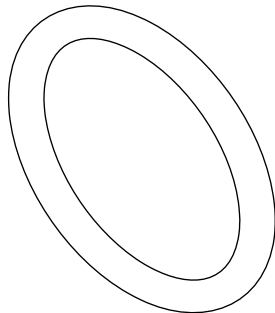
(BMN6)



| SIZE | PRICE |
|-------|--------|
| 25mm | 11.50 |
| 38mm | 15.50 |
| 50mm | 20.00 |
| 63mm | 24.50 |
| 76mm | 28.50 |
| 100mm | 35.00 |
| 125mm | 100.00 |
| 150mm | 100.00 |

BSM VITON 'O'RINGS

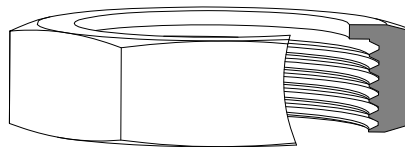
(BMVIT1) (BMVIT2)



| SIZE | (1) | (25) |
|-------|-------|-------|
| 25mm | 5.50 | 4.00 |
| 38mm | 6.00 | 4.50 |
| 50mm | 6.50 | 5.00 |
| 63mm | 8.00 | 6.00 |
| 76mm | 8.50 | 6.50 |
| 100mm | 13.50 | 10.00 |
| 150mm | 35.00 | 28.00 |

BSM HEX NUT HEAVY DUTY (304)

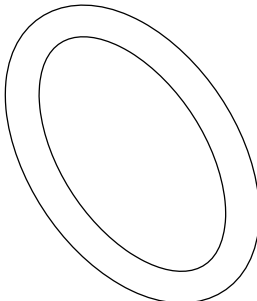
(BMNHD)



| SIZE | PRICE |
|-------|--------|
| 25mm | 25.00 |
| 38mm | 28.00 |
| 50mm | 35.00 |
| 63mm | 40.00 |
| 76mm | 50.00 |
| 100mm | 60.00 |
| 125mm | 150.00 |
| 150mm | 150.00 |

BSM SILICONE 'O'RINGS

(BMSIL1) (BMSIL2)



| SIZE | (1) | (25) |
|-------|------|------|
| 25mm | 1.50 | 1.10 |
| 38mm | 1.50 | 1.10 |
| 50mm | 1.50 | 1.10 |
| 63mm | 1.80 | 1.35 |
| 76mm | 1.80 | 1.35 |
| 100mm | 2.40 | 1.80 |

AUSTRALIAN CIP EPDM SEALS

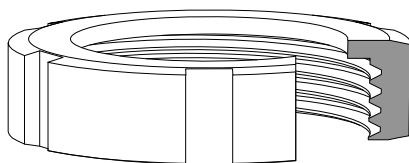
(BMAS1)



| SIZE | PRICE |
|-------|-------|
| 25mm | 2.30 |
| 38mm | 2.30 |
| 50mm | 2.30 |
| 63mm | 3.40 |
| 76mm | 3.40 |
| 100mm | 4.70 |

BSM SLOTTED NUT (304)

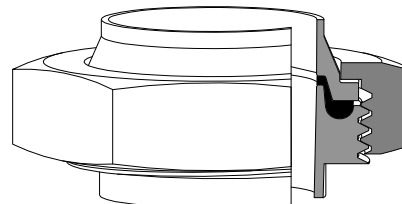
(BMSN)



| SIZE | PRICE |
|-------|--------|
| 25mm | 11.00 |
| 38mm | 14.00 |
| 50mm | 15.50 |
| 63mm | 19.50 |
| 76mm | 22.50 |
| 100mm | 28.50 |
| 125mm | 75.00 |
| 150mm | 75.00 |
| 200mm | 107.00 |

AUSTRALIAN CIP UNION

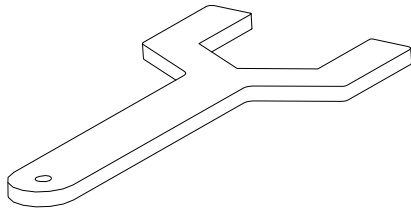
(BMUA)



| SIZE | PRICE |
|-------|-------|
| 25mm | 20.30 |
| 38mm | 25.80 |
| 50mm | 31.80 |
| 63mm | 39.40 |
| 76mm | 46.40 |
| 100mm | 59.70 |

BSM S/S SPANNER

(SP1)

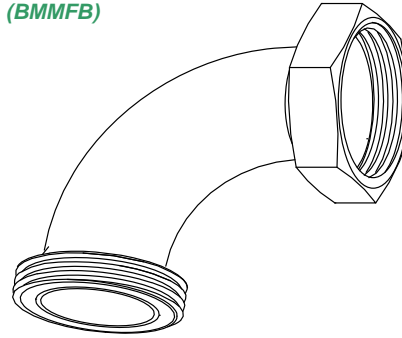


| SIZE | PRICE |
|-------|--------|
| 25mm | 35.00 |
| 38mm | 40.00 |
| 50mm | 48.00 |
| 63mm | 58.00 |
| 76mm | 66.00 |
| 100mm | 80.00 |
| 125mm | 125.00 |
| 150mm | 125.00 |

Material: 304

BSM M&F 90° BEND

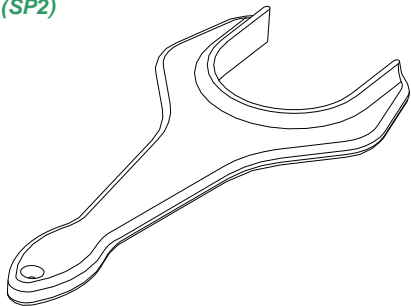
(BMMFB)



| SIZE | PRICE |
|-------|--------|
| 25mm | 103.00 |
| 38mm | 123.00 |
| 50mm | 136.00 |
| 63mm | 175.00 |
| 76mm | 194.00 |
| 100mm | 252.00 |

BSM ALUMINIUM SPANNER

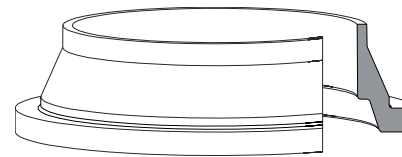
(SP2)



| SIZE | PRICE |
|-------|-------|
| 25mm | 17.00 |
| 38mm | 20.00 |
| 50mm | 25.00 |
| 63mm | 30.00 |
| 76mm | 39.00 |
| 100mm | 43.00 |
| 125mm | 68.00 |
| 150mm | 68.00 |

BSM 2205 LINER

(2205L)



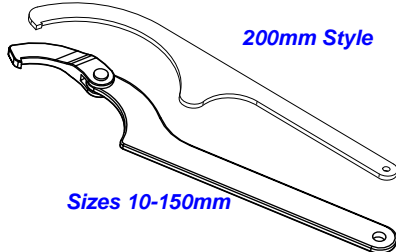
| SIZE | PRICE |
|-------|-------|
| 25mm | 15.00 |
| 38mm | 17.00 |
| 50mm | 20.00 |
| 63mm | 23.00 |
| 76mm | 25.00 |
| 100mm | 40.00 |

S/S ADJUSTABLE HINGED SPANNER

(SP3)

TO SUIT SLOTTED NUTS

200mm Style



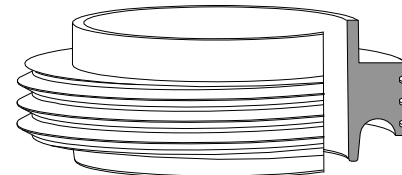
Sizes 10-150mm

Material: 304

| SIZE | PRICE |
|-----------|--------|
| 10-20mm | 70.00 |
| 25-40mm | 70.00 |
| 50-100mm | 80.00 |
| 125-150mm | 120.00 |
| *200mm | 180.00 |

BSM 2205 MALE PART

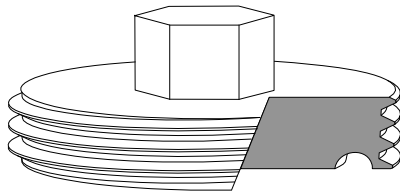
(2205M)



| SIZE | PRICE |
|-------|-------|
| 25mm | 25.00 |
| 38mm | 27.00 |
| 50mm | 30.00 |
| 63mm | 35.00 |
| 76mm | 42.00 |
| 100mm | 60.00 |

BSM MALE BLANK (316)

(BMMB)

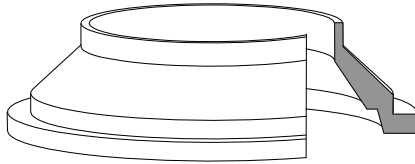


| SIZE | PRICE |
|-------|--------|
| 25mm | 40.00 |
| 38mm | 44.00 |
| 50mm | 50.00 |
| 63mm | 55.00 |
| 76mm | 65.00 |
| 100mm | 75.00 |
| 125mm | 120.00 |
| 150mm | 120.00 |

Sizes 125-150mm
Fabricated

REDUCING LINER (machined)

(BMRLM)

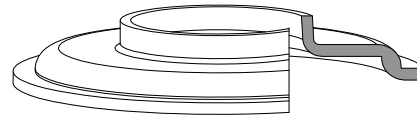


Material: 316

| SIZE | PRICE |
|-------------|-------|
| 38>25 | 35.00 |
| 50>(38-25) | 44.00 |
| 63>(50-25) | 55.00 |
| 76>(63-25) | 60.00 |
| 100>(76-25) | 90.00 |

REDUCING LINER (pressed)

(BMRLP)

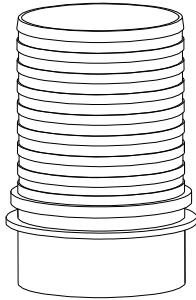


Material: 316

| SIZE | PRICE |
|-------------|-------|
| 38>25 | 15.00 |
| 50>(38-25) | 18.00 |
| 63>(50-25) | 20.00 |
| 76>(63-25) | 23.00 |
| 100>(76-25) | 29.00 |

CRIMP TAILS (316)

(HTC)

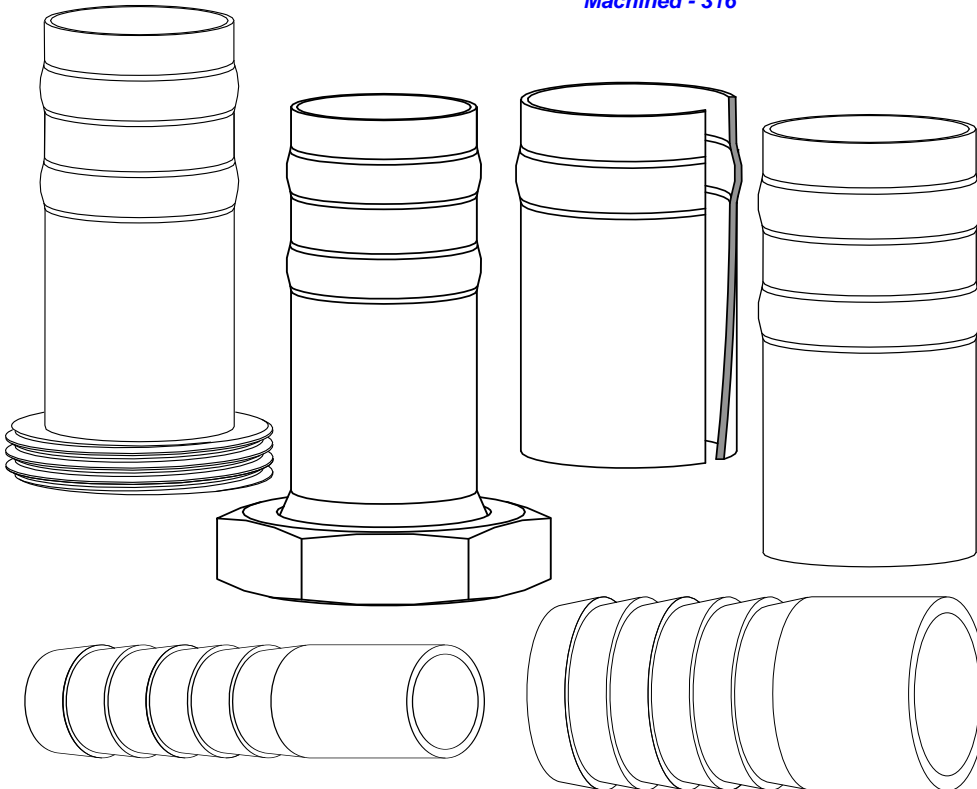


| SIZE | PRICE |
|------|-------|
| 25mm | 28.00 |
| 38mm | 36.00 |
| 50mm | 48.00 |
| 76mm | 60.00 |

GEORDI BSM AND PLAIN HOSETAILS

(HTS) (HTD) (HTM) (HTBM) (HTBF)

Material: All rolled H-Tails - 304
Machined - 316



PLAIN TUBE HOSETAILS

| SIZE | Single | Double | Mach'd |
|-------|--------|--------|--------|
| *6mm | | | 12.00 |
| *8mm | | | 12.00 |
| *9mm | | | 12.00 |
| *12mm | | | 12.00 |
| *15mm | | | 12.00 |
| *18mm | | | 12.00 |
| *22mm | | | 12.00 |
| 25mm | 12.00 | 14.00 | 14.00 |
| 31mm | 13.00 | 15.00 | 16.00 |
| 38mm | 13.00 | 15.00 | 18.00 |
| 50mm | 14.00 | 16.00 | 22.00 |
| 63mm | 18.00 | 20.00 | 34.00 |
| 76mm | 20.00 | 22.00 | 49.00 |
| 100mm | 28.00 | 30.00 | 80.00 |
| 125mm | | 48.00 | |
| 150mm | | 48.00 | 190.00 |
| 200mm | | 120.00 | |

*Machined only

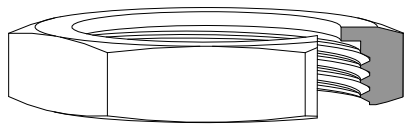
BSM HOSETAILS

| SIZE | Male | Female |
|-------|--------|--------|
| 25mm | 58.00 | 62.00 |
| 38mm | 67.00 | 70.50 |
| 50mm | 70.50 | 75.00 |
| 63mm | 84.50 | 91.50 |
| 76mm | 90.00 | 97.00 |
| 100mm | 117.00 | 126.00 |

Male Hosetails are Flat Faced

FLAT FACED HEX NUT

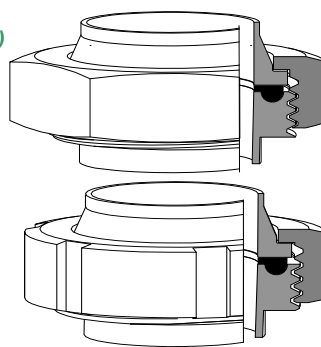
(FFN)



| SIZE | PRICE |
|-------|-------|
| 25mm | 6.00 |
| 38mm | 7.50 |
| 50mm | 10.00 |
| 63mm | 13.00 |
| 76mm | 14.50 |
| 100mm | 19.00 |
| 125mm | 67.00 |
| 150mm | 67.00 |

FLAT FACED UNION

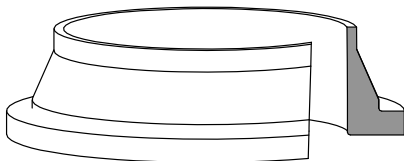
(FFU)
(FFUS)



| SIZE | Hex Nut | Slotted Nut |
|-------|---------|-------------|
| 25mm | 19.60 | 24.60 |
| 38mm | 25.10 | 31.60 |
| 50mm | 31.10 | 36.60 |
| 63mm | 37.80 | 44.30 |
| 76mm | 44.80 | 52.80 |
| 100mm | 57.00 | 66.50 |
| 125mm | 164.00 | 172.00 |
| 150mm | 164.00 | 172.00 |
| 200mm | - | 283.00 |

FLAT FACED LINER (316)

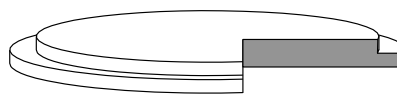
(FFL)



| SIZE | PRICE |
|-------|-------|
| 25mm | 5.00 |
| 38mm | 6.00 |
| 50mm | 7.00 |
| 63mm | 8.50 |
| 76mm | 10.50 |
| 100mm | 13.00 |
| 125mm | 35.00 |
| 150mm | 35.00 |
| 200mm | 62.00 |

FLAT FACED BLANK CAPS

(FFC)



| SIZE | PRICE |
|-------|--------|
| 25mm | 17.00 |
| 38mm | 21.00 |
| 50mm | 23.00 |
| 63mm | 30.00 |
| 76mm | 32.00 |
| 100mm | 40.00 |
| 125mm | 95.00 |
| 150mm | 95.00 |
| 200mm | 140.00 |

FLAT FACED MALE PART (316)

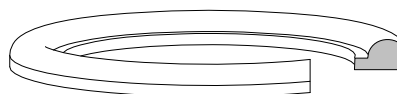
(FFM)



| SIZE | PRICE |
|-------|-------|
| 25mm | 7.00 |
| 38mm | 10.00 |
| 50mm | 12.50 |
| 63mm | 14.50 |
| 76mm | 18.00 |
| 100mm | 23.00 |
| 125mm | 49.00 |
| 150mm | 49.00 |
| 200mm | 74.00 |

FLAT FACED TEFLON SEAL

(FFT1) (FFT2)



| SIZE | (1) | (25) |
|-------|-------|-------|
| 25mm | 11.00 | 8.25 |
| 38mm | 13.00 | 9.75 |
| 50mm | 14.00 | 10.50 |
| 63mm | 16.00 | 12.00 |
| 76mm | 20.00 | 15.00 |
| 100mm | 22.00 | 16.50 |
| 125mm | 35.00 | 26.25 |
| 150mm | 35.00 | 26.25 |

FLAT FACED EPDM SEAL

(FF1) (FF2)



| SIZE | (1) | (500) |
|--------|-------|-------|
| 25mm | 1.60 | 1.20 |
| 38mm | 1.60 | 1.20 |
| 50mm | 1.60 | 1.20 |
| 63mm | 1.80 | 1.35 |
| 76mm | 1.80 | 1.35 |
| 100mm | 2.00 | 1.50 |
| *125mm | 13.00 | 10.00 |
| *150mm | 13.00 | 10.00 |
| 200mm | 40.00 | - |

*Bulk price is for 200 pieces

FLAT FACED VITON SEAL

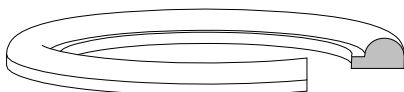
(FFV1) (FFV2)



| SIZE | (1) | (25) |
|-------|-------|-------|
| 25mm | 8.00 | 6.00 |
| 38mm | 9.00 | 7.00 |
| 50mm | 10.00 | 7.50 |
| 63mm | 11.00 | 8.50 |
| 76mm | 12.00 | 9.00 |
| 100mm | 15.00 | 11.50 |
| 125mm | 53.00 | 40.00 |
| 150mm | 53.00 | 40.00 |

FLAT FACED SILICONE SEAL

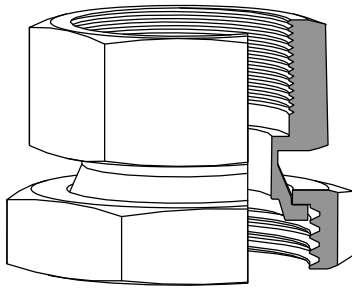
(FFS1) (FFS2)



| SIZE | (1) | (25) |
|-------|------|------|
| 25mm | 2.00 | 1.50 |
| 38mm | 2.00 | 1.50 |
| 50mm | 2.00 | 1.50 |
| 63mm | 2.40 | 1.80 |
| 76mm | 2.40 | 1.80 |
| 100mm | 3.00 | 2.25 |

BSM FEMALE/BSP FEMALE ADAPTOR

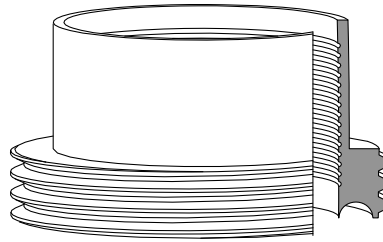
(AD1)



| SIZE | PRICE |
|-------|--------|
| 25mm | 71.00 |
| 38mm | 84.00 |
| 50mm | 92.00 |
| 63mm | 114.00 |
| 76mm | 121.00 |
| 100mm | 154.00 |

BSM EXPANDON MALE PART

(EXPM)

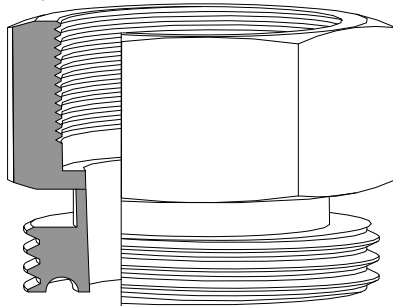


| SIZE | PRICE |
|-------|-------|
| 25mm | 15.00 |
| 38mm | 20.00 |
| 50mm | 22.00 |
| 63mm | 28.00 |
| 76mm | 30.00 |
| 100mm | 40.00 |

Material Grade: 304

BSM MALE*/BSP FEMALE ADAPTOR

(AD2)

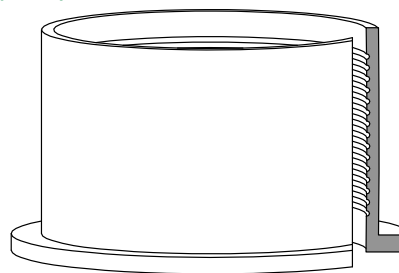


| SIZE | PRICE |
|-------|--------|
| 25mm | 67.00 |
| 38mm | 81.00 |
| 50mm | 87.00 |
| 63mm | 107.00 |
| 76mm | 114.00 |
| 100mm | 145.00 |

**MALE IS FLAT FACED*

BSM EXPANDON LINER

(EXPL)

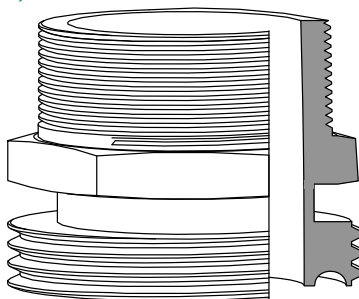


| SIZE | PRICE |
|-------|-------|
| 25mm | 12.00 |
| 38mm | 15.00 |
| 50mm | 16.00 |
| 63mm | 22.00 |
| 76mm | 30.00 |
| 100mm | 40.00 |

Material Grade: 304

BSM MALE*/BSP MALE ADAPTOR

(AD3)

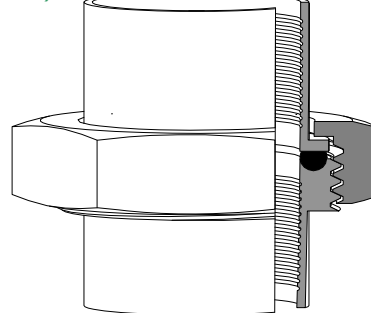


| SIZE | PRICE |
|-------|--------|
| 25mm | 57.00 |
| 38mm | 70.00 |
| 50mm | 74.00 |
| 63mm | 89.00 |
| 76mm | 98.00 |
| 100mm | 127.00 |

**MALE IS FLAT FACED*

BSM EXPANDON UNION

(EXPU)

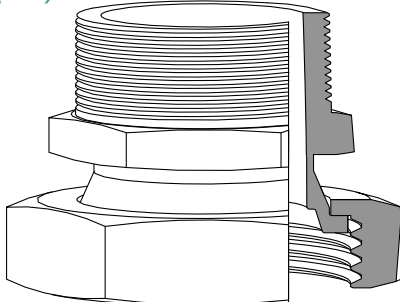


| SIZE | PRICE |
|-------|--------|
| 25mm | 34.00 |
| 38mm | 43.50 |
| 50mm | 49.00 |
| 63mm | 64.20 |
| 76mm | 75.70 |
| 100mm | 100.60 |

Material Grade: 304

BSM FEMALE/BSP MALE* ADAPTOR

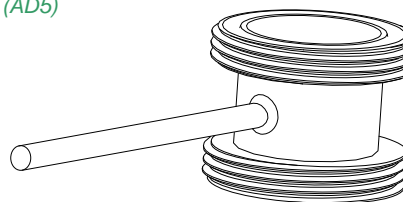
(AD4)



| SIZE | PRICE |
|-------|--------|
| 25mm | 61.00 |
| 38mm | 73.00 |
| 50mm | 79.00 |
| 63mm | 96.00 |
| 76mm | 105.00 |
| 100mm | 136.00 |

BSM MALE* CONNECTORS

(AD5)



| SIZE | PRICE |
|-------|--------|
| 25mm | 113.00 |
| 38mm | 129.00 |
| 50mm | 134.00 |
| 63mm | 154.00 |
| 76mm | 161.00 |
| 100mm | 199.00 |

**Male Modified (Flat Faced)*

HYGIENIC HEX NUT

(HYGN)

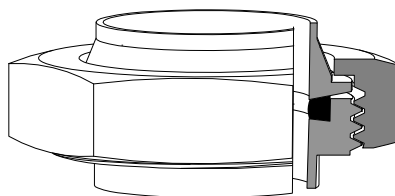


| SIZE | PRICE |
|-------|-------|
| 12mm | 14.50 |
| 18mm | 14.50 |
| 25mm | 6.00 |
| 38mm | 7.50 |
| 50mm | 10.00 |
| 63mm | 13.00 |
| 76mm | 14.50 |
| 100mm | 19.00 |

Material Grade: 304

HYGIENIC UNION

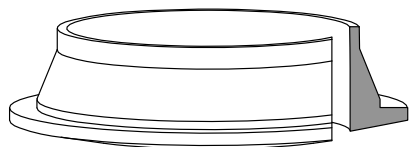
(HYGU)



| SIZE | PRICE |
|-------|-------|
| 12mm | 37.00 |
| 18mm | 37.00 |
| 25mm | 34.00 |
| 38mm | 40.00 |
| 50mm | 45.50 |
| 63mm | 55.50 |
| 76mm | 63.50 |
| 100mm | 80.00 |

HYGIENIC LINER

(HYGL)

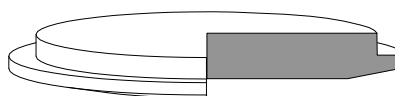


| SIZE | PRICE |
|-------|-------|
| 12mm | 9.50 |
| 18mm | 9.50 |
| 25mm | 10.00 |
| 38mm | 12.00 |
| 50mm | 14.00 |
| 63mm | 16.00 |
| 76mm | 18.00 |
| 100mm | 20.00 |

Material Grade: 316

HYGIENIC BLANK CAPS

(HYGC)

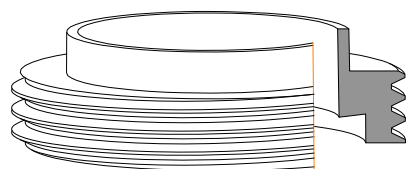


| SIZE | PRICE |
|-------|-------|
| 12mm | 16.00 |
| 18mm | 16.00 |
| 25mm | 20.00 |
| 38mm | 25.00 |
| 50mm | 30.00 |
| 63mm | 35.00 |
| 76mm | 40.00 |
| 100mm | 50.00 |

Material Grade: 316

HYGIENIC MALE PART

(HYGM)

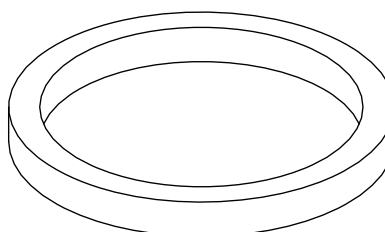


| SIZE | PRICE |
|-------|-------|
| 12mm | 12.00 |
| 18mm | 12.00 |
| 25mm | 15.00 |
| 38mm | 17.00 |
| 50mm | 18.00 |
| 63mm | 22.00 |
| 76mm | 26.00 |
| 100mm | 35.00 |

Material Grade: 316

HYGIENIC TEFLON SEAL

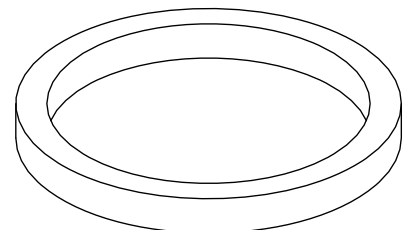
(HYGTS)



| SIZE | PRICE |
|-------|-------|
| 12mm | 8.00 |
| 18mm | 8.00 |
| 25mm | 12.00 |
| 38mm | 14.00 |
| 50mm | 16.00 |
| 63mm | 18.00 |
| 76mm | 20.00 |
| 100mm | 24.00 |

HYGIENIC EPDM SEAL

(HYGS)



| SIZE | PRICE |
|-------|-------|
| 12mm | 1.00 |
| 18mm | 1.00 |
| 25mm | 3.00 |
| 38mm | 3.50 |
| 50mm | 3.50 |
| 63mm | 4.50 |
| 76mm | 5.00 |
| 100mm | 6.00 |

N.Z. HEX NUT

(NZN)

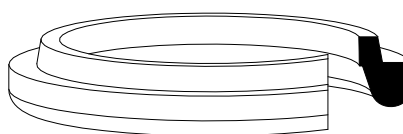


Material Grade: 304

| SIZE | PRICE |
|-------|-------|
| 25mm | 6.00 |
| 38mm | 7.50 |
| 50mm | 10.00 |
| 63mm | 13.00 |
| 76mm | 14.50 |
| 100mm | 19.00 |
| 150mm | 67.00 |

N.Z. EPDM SEAL

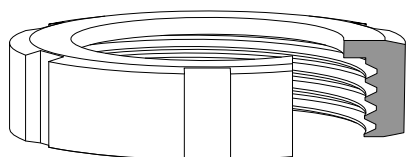
(NZS1) (NZS2)



| SIZE | PRICE |
|-------|-------|
| 25mm | 2.75 |
| 38mm | 2.75 |
| 50mm | 2.75 |
| 63mm | 3.50 |
| 76mm | 3.50 |
| 100mm | 4.00 |
| 125mm | 25.00 |
| 150mm | 25.00 |

N.Z. SLOTTED NUT

(NZSN)

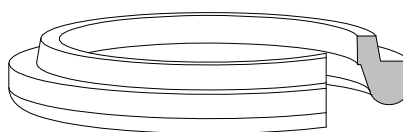


Material Grade: 304

| SIZE | PRICE |
|-------|-------|
| 25mm | 11.00 |
| 38mm | 14.00 |
| 50mm | 15.50 |
| 63mm | 19.50 |
| 76mm | 22.50 |
| 100mm | 28.50 |
| 150mm | 75.00 |

N.Z. TEFLON SEAL

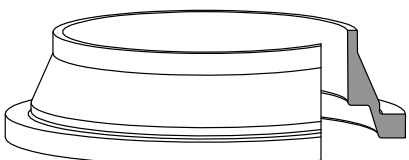
(NZT1) (NZT2)



| SIZE | (1) | (25) |
|-------|-------|-------|
| 25mm | 18.00 | 13.50 |
| 38mm | 20.00 | 15.00 |
| 50mm | 22.00 | 16.50 |
| 63mm | 26.00 | 19.50 |
| 76mm | 30.00 | 22.50 |
| 100mm | 40.00 | 30.00 |

N.Z. LINER

(NZL)

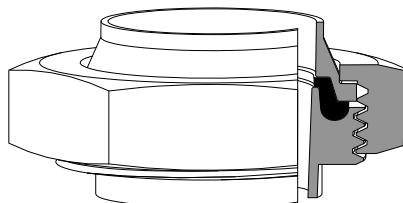


Material Grade: 316

| SIZE | PRICE |
|-------|-------|
| 25mm | 7.50 |
| 38mm | 9.00 |
| 50mm | 10.50 |
| 63mm | 13.00 |
| 76mm | 16.00 |
| 100mm | 20.00 |
| 150mm | 55.00 |

N.Z. UNION (Hex Nut)

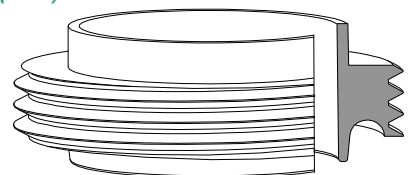
(NZU)



| SIZE | PRICE |
|-------|--------|
| 25mm | 23.25 |
| 38mm | 29.25 |
| 50mm | 35.75 |
| 63mm | 44.00 |
| 76mm | 52.00 |
| 100mm | 66.00 |
| 150mm | 196.00 |

N.Z. MALE PART

(NZM)

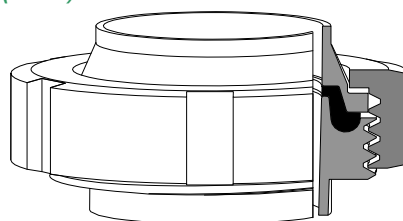


Material Grade: 316

| SIZE | PRICE |
|-------|-------|
| 25mm | 7.00 |
| 38mm | 10.00 |
| 50mm | 12.50 |
| 63mm | 14.50 |
| 76mm | 18.00 |
| 100mm | 23.00 |
| 150mm | 49.00 |

N.Z. UNION (Slotted Nut)

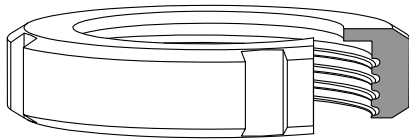
(NZUS)



| SIZE | PRICE |
|-------|--------|
| 25mm | 28.25 |
| 38mm | 35.75 |
| 50mm | 41.25 |
| 63mm | 50.50 |
| 76mm | 60.00 |
| 100mm | 75.50 |
| 150mm | 204.00 |

SMS SLOTTED NUT

(SMSN)

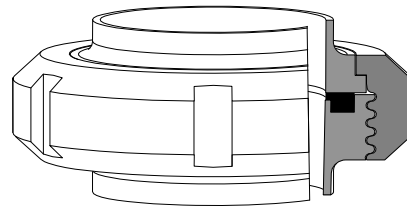


| SIZE | PRICE |
|-------|-------|
| 25mm | 12.00 |
| 38mm | 16.00 |
| 50mm | 19.00 |
| 63mm | 25.00 |
| 76mm | 31.00 |
| 100mm | 37.00 |

Material Grade: 304

SMS UNION

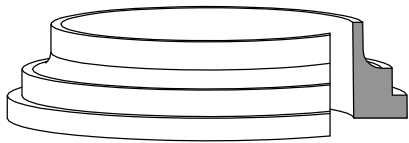
(SMSU)



| SIZE | PRICE |
|-------|--------|
| 25mm | 32.50 |
| 38mm | 47.00 |
| 50mm | 54.50 |
| 63mm | 70.50 |
| 76mm | 88.50 |
| 100mm | 119.00 |

SMS LINER

(SMSL)

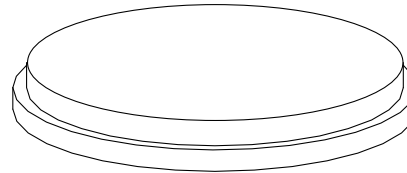


| SIZE | PRICE |
|-------|-------|
| 25mm | 8.00 |
| 38mm | 10.00 |
| 50mm | 12.00 |
| 63mm | 15.00 |
| 76mm | 20.00 |
| 100mm | 24.00 |

Material Grade: 316

SMS BLANK CAP

(SMSC)

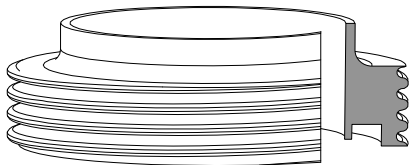


| SIZE | PRICE |
|-------|-------|
| 25mm | 20.00 |
| 38mm | 25.00 |
| 50mm | 30.00 |
| 63mm | 35.00 |
| 76mm | 40.00 |
| 100mm | 50.00 |

Material Grade: 316

SMS MALE

(SMSM)

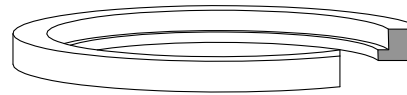


| SIZE | PRICE |
|-------|-------|
| 25mm | 10.00 |
| 38mm | 18.00 |
| 50mm | 20.00 |
| 63mm | 26.00 |
| 76mm | 32.00 |
| 100mm | 50.00 |

Material Grade: 316

SMS VITON SEAL

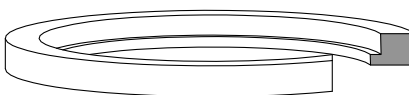
(SMSSV)



| SIZE | PRICE |
|-------|-------|
| 25mm | 10.00 |
| 38mm | 10.00 |
| 50mm | 12.00 |
| 63mm | 15.00 |
| 76mm | 20.00 |
| 100mm | 26.00 |

SMS EPDM SEAL

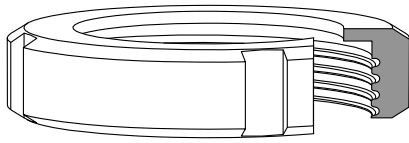
(SMSS)



| SIZE | PRICE |
|-------|-------|
| 25mm | 2.50 |
| 38mm | 3.00 |
| 50mm | 3.50 |
| 63mm | 4.50 |
| 76mm | 5.50 |
| 100mm | 8.00 |

DIN SLOTTED NUT

(DINN)

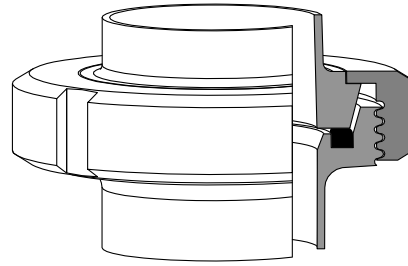


Material Grade: 304

| SIZE | PRICE |
|-------|-------|
| 12mm | 13.00 |
| 18mm | 13.00 |
| 25mm | 14.00 |
| 31mm | 15.00 |
| 38mm | 17.00 |
| 50mm | 20.00 |
| 63mm | 27.00 |
| 76mm | 40.00 |
| 100mm | 47.00 |

DIN UNION

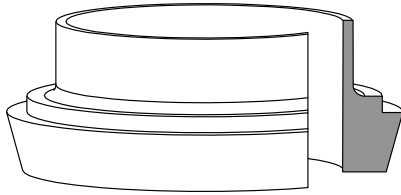
(DINU)



| SIZE | PRICE |
|-------|--------|
| 12mm | 34.50 |
| 18mm | 35.00 |
| 25mm | 38.50 |
| 31mm | 44.50 |
| 38mm | 49.50 |
| 50mm | 58.00 |
| 63mm | 87.00 |
| 76mm | 127.00 |
| 100mm | 152.00 |

DIN LINER

(DINL)

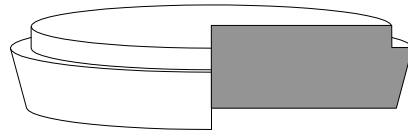


Material Grade: 316

| SIZE | PRICE |
|-------|-------|
| 12mm | 8.00 |
| 18mm | 8.00 |
| 25mm | 9.00 |
| 31mm | 11.00 |
| 38mm | 13.00 |
| 50mm | 15.00 |
| 63mm | 25.00 |
| 76mm | 34.00 |
| 100mm | 44.00 |

DIN BLANK CAP

(DINC)

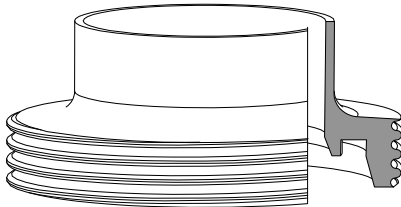


Material Grade: 316

| SIZE | PRICE |
|-------|-------|
| 12mm | 20.00 |
| 18mm | 20.00 |
| 25mm | 26.00 |
| 31mm | 33.00 |
| 38mm | 33.00 |
| 50mm | 40.00 |
| 63mm | 50.00 |
| 76mm | 55.00 |
| 100mm | 66.00 |

DIN MALE PART

(DINM)

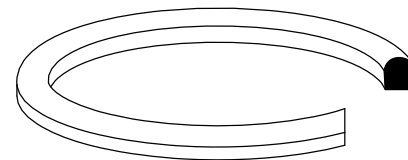


Material Grade: 316

| SIZE | PRICE |
|-------|-------|
| 12mm | 12.00 |
| 18mm | 12.00 |
| 25mm | 13.00 |
| 31mm | 16.00 |
| 38mm | 17.00 |
| 50mm | 20.00 |
| 63mm | 31.00 |
| 76mm | 48.00 |
| 100mm | 54.00 |

DIN VITON SEAL

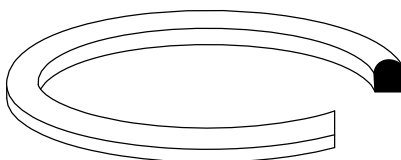
(DINSV)



| SIZE | PRICE |
|-------|-------|
| 12mm | 8.00 |
| 18mm | 8.00 |
| 25mm | 10.00 |
| 31mm | 10.00 |
| 38mm | 10.00 |
| 50mm | 12.00 |
| 63mm | 15.00 |
| 76mm | 20.00 |
| 100mm | 26.00 |

DIN EPDM SEAL

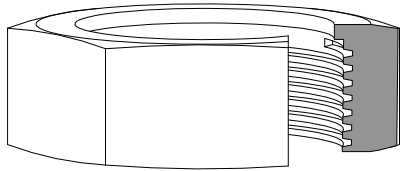
(DINS)



| SIZE | PRICE |
|-------|-------|
| 12mm | 1.50 |
| 18mm | 2.00 |
| 25mm | 2.50 |
| 31mm | 2.50 |
| 38mm | 2.50 |
| 50mm | 3.00 |
| 63mm | 4.00 |
| 76mm | 5.00 |
| 100mm | 7.00 |

3A HEX NUT

(3AN)

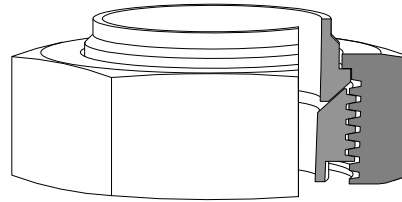


| SIZE | PRICE |
|-------|-------|
| 25mm | 22.00 |
| 38mm | 24.00 |
| 50mm | 26.00 |
| 63mm | 47.00 |
| 76mm | 50.00 |
| 100mm | 53.00 |

Material Grade: 304

3A UNION

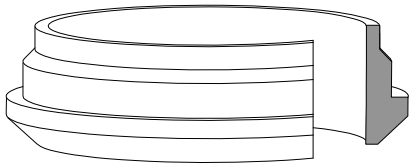
(3AU)



| SIZE | PRICE |
|-------|--------|
| 25mm | 46.00 |
| 38mm | 52.00 |
| 50mm | 68.00 |
| 63mm | 101.00 |
| 76mm | 120.00 |
| 100mm | 167.00 |

3A LINER

(3AL)

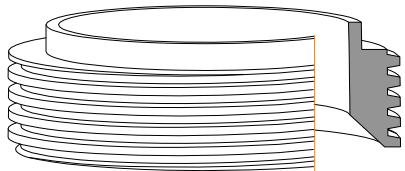


| SIZE | PRICE |
|-------|-------|
| 25mm | 11.00 |
| 38mm | 12.00 |
| 50mm | 18.00 |
| 63mm | 24.00 |
| 76mm | 30.00 |
| 100mm | 46.00 |

Material Grade: 316

3A MALE PART

(3AM)

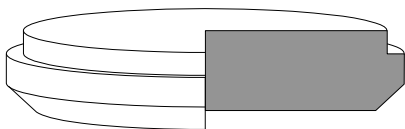


| SIZE | PRICE |
|-------|-------|
| 25mm | 13.00 |
| 38mm | 16.00 |
| 50mm | 24.00 |
| 63mm | 30.00 |
| 76mm | 40.00 |
| 100mm | 68.00 |

Material Grade: 316

3A BLANK CAP

(3AC)

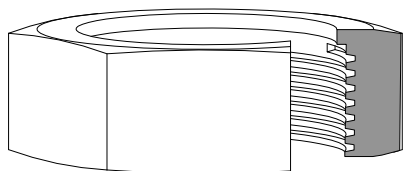


| SIZE | PRICE |
|-------|-------|
| 25mm | 26.00 |
| 38mm | 33.00 |
| 50mm | 40.00 |
| 63mm | 50.00 |
| 76mm | 55.00 |
| 100mm | 66.00 |

Material Grade: 316

IDF HEX NUT

(IDFN)

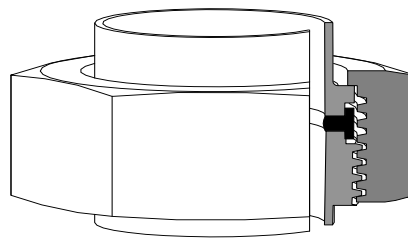


| SIZE | PRICE |
|-------|-------|
| 25mm | 22.00 |
| 38mm | 24.00 |
| 50mm | 26.00 |
| 63mm | 47.00 |
| 76mm | 50.00 |
| 100mm | 53.00 |

Material Grade: 304

IDF UNION

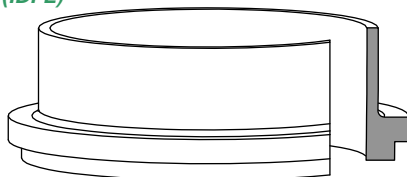
(IDFU)



| SIZE | PRICE |
|-------|--------|
| 25mm | 48.00 |
| 38mm | 54.50 |
| 50mm | 71.00 |
| 63mm | 104.50 |
| 76mm | 124.00 |
| 100mm | 173.00 |

IDF LINER

(IDFL)

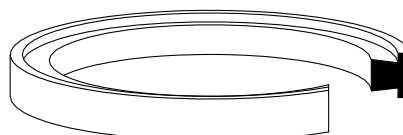


| SIZE | PRICE |
|-------|-------|
| 25mm | 11.00 |
| 38mm | 12.00 |
| 50mm | 18.00 |
| 63mm | 24.00 |
| 76mm | 30.00 |
| 100mm | 46.00 |

Material Grade: 316

IDF EPDM SEAL

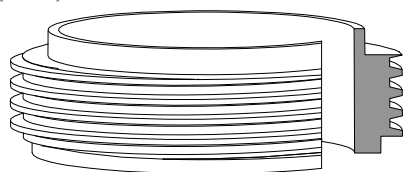
(IDFS)



| SIZE | PRICE |
|-------|-------|
| 25mm | 2.00 |
| 38mm | 2.50 |
| 50mm | 3.00 |
| 63mm | 3.50 |
| 76mm | 4.00 |
| 100mm | 6.00 |

IDF MALE PART

(IDFM)

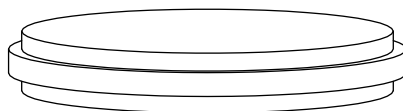


| SIZE | PRICE |
|-------|-------|
| 25mm | 13.00 |
| 38mm | 16.00 |
| 50mm | 24.00 |
| 63mm | 30.00 |
| 76mm | 40.00 |
| 100mm | 68.00 |

Material Grade: 316

IDF BLANK CAP

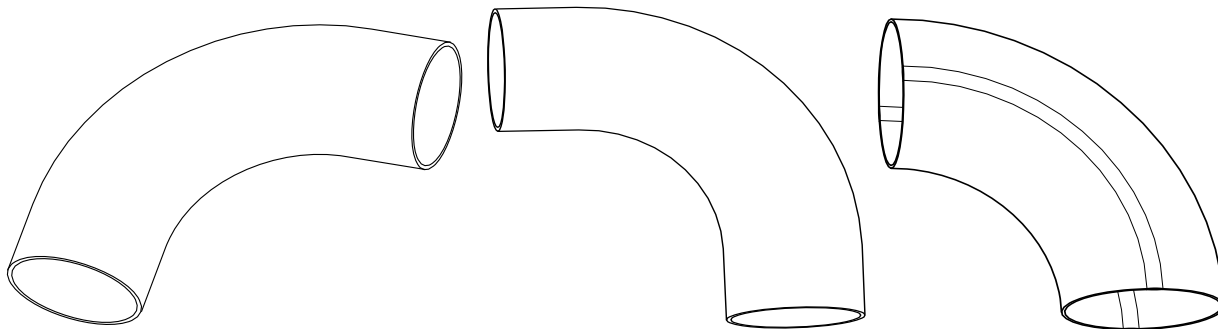
(IDFC)



| SIZE | PRICE |
|-------|-------|
| 25mm | 26.00 |
| 38mm | 33.00 |
| 50mm | 40.00 |
| 63mm | 50.00 |
| 76mm | 55.00 |
| 100mm | 66.00 |

Material Grade: 316

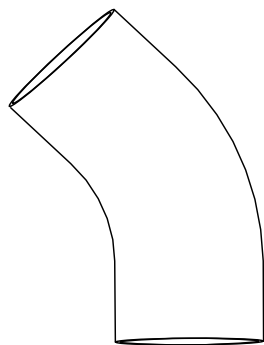
90° TUBE BENDS



| SIZE | ***** 316 16# ***** | | | ***** 304 16# ***** | | | 316 14# | Pressed Bend 316 #14 | | 2205 16# |
|---------------|---------------------|--------|-----------|---------------------|--------|-----------|---------|----------------------|-----------|------------|
| | Unpol | Polish | Zetan Pol | Unpol | Polish | Zetan Pol | Polish | 90° Unpol | 45° Unpol | UNPOL |
| 6mm | - | 7.00 | - | - | - | - | - | - | - | - |
| 9mm | - | 7.00 | - | - | - | - | - | - | - | - |
| 12mm | - | 7.80 | - | - | - | - | - | - | - | - |
| 15mm | - | 9.30 | - | - | - | - | - | - | - | - |
| 18mm | - | 9.45 | - | - | 7.95 | - | - | - | - | 29.40 |
| 25mm | - | 11.40 | 10.20 | - | 9.10 | 8.75 | - | - | - | 18.30 |
| 31mm | - | 14.05 | 14.05 | - | 11.25 | 11.00 | - | - | - | - |
| 38mm | - | 15.80 | 14.25 | - | 12.05 | 11.00 | 34.00 | - | - | 30.20 |
| 45mm | - | 34.75 | - | - | - | - | - | - | - | - |
| 50mm | - | 23.40 | 21.25 | - | 17.95 | 15.75 | 52.00 | - | - | 55.75 |
| 63mm | - | 39.60 | 30.95 | - | 28.65 | 21.35 | 75.00 | - | - | - |
| 76mm | - | 51.75 | 38.85 | - | 38.35 | 30.65 | 85.00 | - | - | 119.15 #14 |
| 89mm | - | 51.50 | - | - | - | - | - | - | - | 152.70 #14 |
| 100mm | - | 69.50 | 64.40 | - | 52.45 | 48.90 | 120.00 | - | - | 264.55 #14 |
| 125mm | 152.30 | 156.00 | - | - | - | - | - | - | - | - |
| 150mm (14#) | 219.55 | 223.25 | - | 163.20 | 166.90 | - | - | - | - | - |
| 200mm | 200.00 | - | - | - | - | - | - | - | - | - |
| 250mm | - | - | - | - | - | - | - | 455.00 | 320.00 | - |
| 300mm | - | - | - | - | - | - | - | 685.00 | 480.00 | - |

(U90B6)
(P90B6)
(P90B6Z)
(U90B4)
(P90B4)
(P90B4Z)
(P90B14)
(BPB9)
(BPB4)
(B2205)

45° TUBE BENDS 316

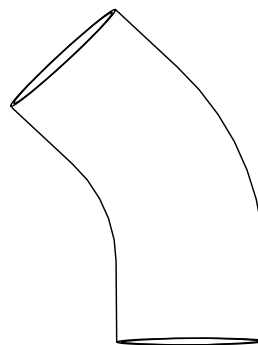


(U45B6 P45B6)

(150mm & 200mm in 14# wall)

| SIZE | UNPOL | POL |
|-------|--------|--------|
| 12mm | - | 7.20 |
| 18mm | - | 8.25 |
| 25mm | - | 10.45 |
| 31mm | - | 12.70 |
| 38mm | - | 14.35 |
| 45mm | - | 32.60 |
| 50mm | - | 21.50 |
| 63mm | - | 29.10 |
| 76mm | - | 40.55 |
| 89mm | - | 45.05 |
| 100mm | - | 62.55 |
| 125mm | 133.65 | 137.35 |
| 150mm | 192.15 | 195.85 |
| 200mm | 140.00 | - |

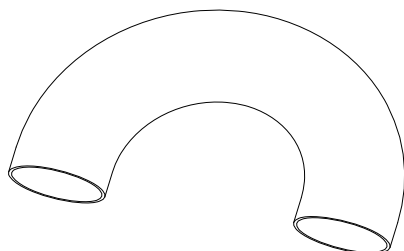
45° TUBE BENDS 304



(U45B4 P45B4)

| SIZE | UnPol | Pol |
|-------|--------|--------|
| 50mm | - | 16.65 |
| 63mm | - | 23.25 |
| 76mm | - | 31.80 |
| 100mm | - | 47.20 |
| 150mm | 143.15 | 146.85 |

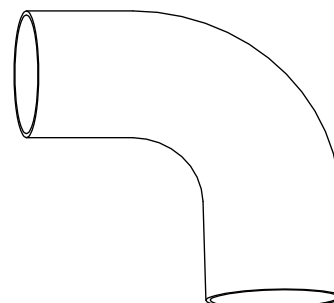
180° TUBE BENDS 316



(U180B6 P180B6)

| SIZE | Polished |
|-------|----------|
| 18mm | 18.70 |
| 25mm | 22.70 |
| 31mm | 27.00 |
| 38mm | 33.20 |
| 45mm | 83.75 |
| 50mm | 52.55 |
| 63mm | 73.75 |
| 76mm | 101.85 |
| 100mm | 161.65 |

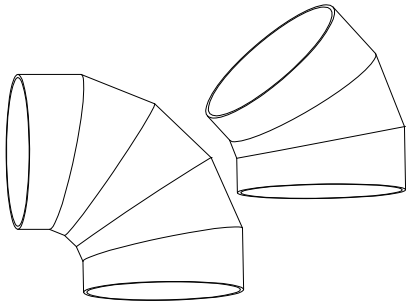
90° TUBE BENDS 1x RADIUS (316)



(B1R)

| SIZE | PRICE |
|-------|-------|
| 25mm | 12.00 |
| 38mm | 15.00 |
| 50mm | 20.00 |
| 63mm | 30.00 |
| 76mm | 40.00 |
| 100mm | 70.00 |

90° 5 PIECE LOBSTER BACK 316 TUBE BENDS

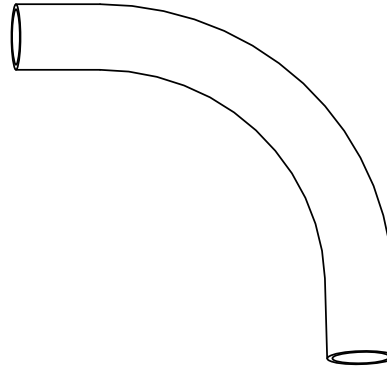


| SIZE | 16# | 14# |
|-------|-----|-----|
| 200mm | POA | POA |
| 250mm | POA | POA |
| 300mm | POA | POA |
| 350mm | POA | POA |
| 400mm | POA | POA |
| 450mm | POA | POA |
| 500mm | POA | POA |

(BLB6 BLB4)

* 45° Available - POA

90° LONG RADIUS BENDS #16 316

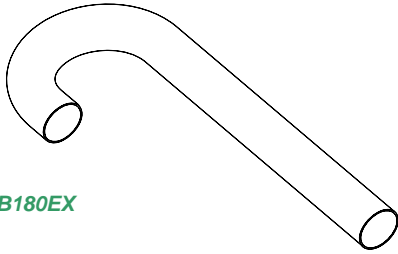


| SIZE | CLR | PRICE |
|-------|--------|---------|
| 38mm | 250mm | 170.00 |
| 50mm | 200mm | 205.00 |
| 50mm | 250mm | 215.00 |
| 50mm | 330mm | 225.00 |
| 63mm | 250mm | 260.00 |
| 76mm | 265mm | 355.00 |
| 76mm | 600mm | 465.00 |
| 76mm | 900mm | 330.00 |
| 100mm | 300mm | 500.00 |
| 100mm | 465mm | 705.00 |
| 100mm | 600mm | 720.00 |
| 100mm | 900mm | 460.00 |
| 150mm | 1100mm | 1425.00 |

(BLR)

CLR: Ctr Line Radius

EXTENDED LEG 180° BENDS

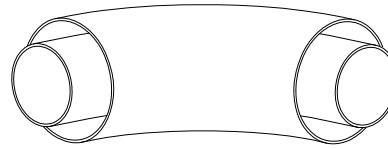


| SIZE | PRICE |
|------|-------|
| 38mm | 39.00 |
| 50mm | 56.00 |

B180EX

NOTE: Made from polished tube but requires additional polishing cleanup

JACKETED BEND COMBO



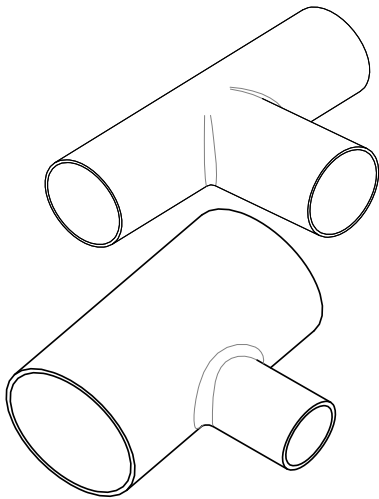
| SIZE | PRICE |
|----------|-------|
| 50/76mm | 53.00 |
| 76/100mm | 95.00 |

BJAC

Outer Bend: 304 SS
Inner Bend: 316 SS

TUBE TEE & REDUCING TEE

(T6, T4, T14, T2205)



| SIZE | 316 16# | 304 16# | 316 14# | 2205 |
|----------------|---------|---------|---------|--------|
| 12mm | 11.00 | - | - | - |
| 18mm | 11.00 | - | - | 85.00 |
| 25mm | 11.00 | - | - | 85.00 |
| 31mm | 15.00 | - | - | - |
| 38mm | 15.00 | 13.00 | - | 92.00 |
| 50mm | 21.00 | 18.00 | 44.00 | 110.00 |
| 63mm | 33.00 | 25.00 | 55.00 | 132.00 |
| 76mm | 46.00 | 32.00 | 77.00 | 196.00 |
| 100mm | 78.00 | 70.00 | 100.00 | 260.00 |
| 125mm | 160.00 | - | - | - |
| 150mm | 180.00 | 156.00 | 216.00 | - |
| ▼ UNPOLISHED ▼ | | | | |
| 200mm | - | - | 300.00 | - |
| 250mm | - | - | 490.00 | - |
| 300mm | - | - | 995.00 | - |

304 Reducing Tees only available on special orders

MANIFOLDS

Manifolds 3m lengths and under

| | |
|-------------|----------------|
| 25mm-50mm | 46.00 per pull |
| 63mm-100mm | 60.00 per pull |
| 125mm-150mm | 90.00 per pull |

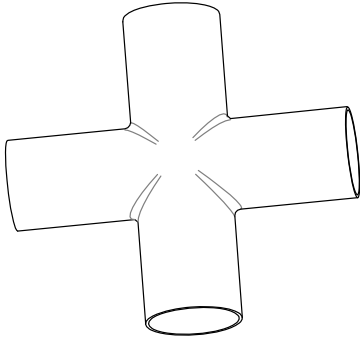
Manifolds over 3m lengths

| | |
|-------------|-----------------|
| 25mm-50mm | 58.00 per pull |
| 63mm-100mm | 75.00 per pull |
| 125mm-150mm | 112.00 per pull |

(All nett prices)

TUBE CROSS 316 16#

(TC)

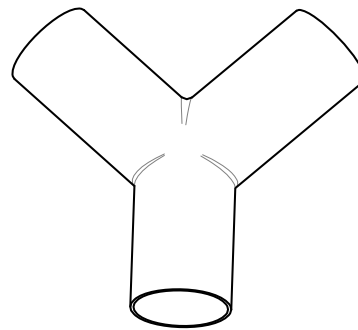


*14# WALL

| SIZE | PRICE |
|----------------|---------|
| 12mm | 30.00 |
| 18mm | 30.00 |
| 25mm | 36.00 |
| 31mm | 42.00 |
| 38mm | 42.00 |
| 50mm | 53.00 |
| 63mm | 71.00 |
| 76mm | 90.00 |
| 100mm | 128.00 |
| ▼ UNPOLISHED ▼ | |
| 125mm | 290.00 |
| 150mm | 300.00 |
| *200mm | 540.00 |
| *250mm | 790.00 |
| *300mm | 1090.00 |

"Y" PIECE 316 16#

(Y6)

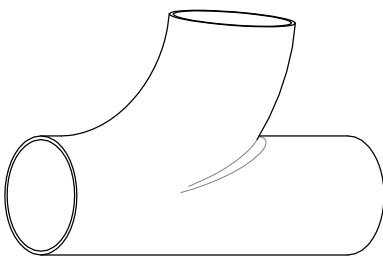


*14# WALL

| SIZE | PRICE |
|----------------|---------|
| 12mm | 35.00 |
| 18mm | 35.00 |
| 25mm | 50.00 |
| 31mm | 55.00 |
| 38mm | 56.00 |
| 50mm | 66.00 |
| 63mm | 90.00 |
| 76mm | 115.00 |
| 100mm | 150.00 |
| ▼ UNPOLISHED ▼ | |
| 125mm | 350.00 |
| 150mm | 370.00 |
| *200mm | 900.00 |
| *250mm | 1230.00 |
| *300mm | 2150.00 |

SWEEP TEES 316 16#

(ST)

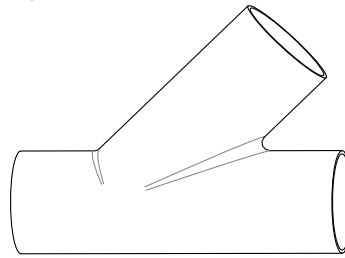


*14# WALL

| SIZE | PRICE |
|----------------|---------|
| 12mm | 85.00 |
| 18mm | 85.00 |
| 25mm | 95.00 |
| 31mm | 105.00 |
| 38mm | 105.00 |
| 50mm | 110.00 |
| 63mm | 135.00 |
| 76mm | 165.00 |
| 100mm | 215.00 |
| ▼ UNPOLISHED ▼ | |
| 125mm | 665.00 |
| 150mm | 735.00 |
| *200mm | 860.00 |
| *250mm | 1285.00 |
| *300mm | 1950.00 |

45° TEE 316 16#

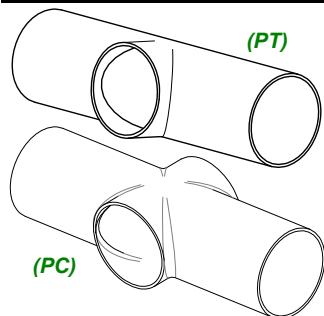
(45T)



*14# WALL

| SIZE | PRICE |
|----------------|---------|
| 12mm | 35.00 |
| 18mm | 35.00 |
| 25mm | 50.00 |
| 31mm | 55.00 |
| 38mm | 55.00 |
| 50mm | 65.00 |
| 63mm | 90.00 |
| 76mm | 125.00 |
| 100mm | 175.00 |
| ▼ UNPOLISHED ▼ | |
| 125mm | 390.00 |
| 150mm | 420.00 |
| *200mm | 785.00 |
| *250mm | 1080.00 |
| *300mm | 1660.00 |

PULLED TEES & CROSSES 316 16#

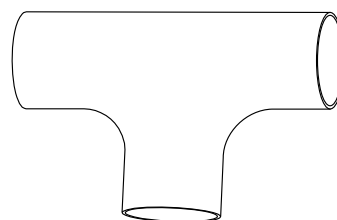


(PC)

| SIZE | TEE | CROSS |
|------------|--------|--------|
| 12mm | 9.00 | 18.00 |
| 18mm | 9.00 | 18.00 |
| 25mm | 9.00 | 18.00 |
| 31mm | 10.50 | 21.00 |
| 38mm | 10.50 | 21.00 |
| 50mm | 17.00 | 34.00 |
| 63mm | 26.50 | 53.00 |
| 76mm | 37.00 | 74.00 |
| 100mm | 53.00 | 106.00 |
| UNPOLISHED | | |
| 125mm | 100.00 | 200.00 |
| 150mm | 115.00 | 230.00 |

RADIUS TEES 316 16#

(RT)

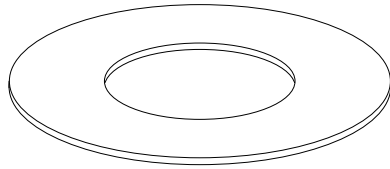


| SIZE | PRICE |
|--------|--------|
| 25mm | 62.00 |
| 31mm | 66.00 |
| 38mm | 69.00 |
| 50mm | 86.00 |
| 63mm | 125.00 |
| 76mm | 176.00 |
| 100mm | 212.00 |
| *150mm | 532.00 |

*14# WALL

CEILING PLATE - PLAIN

(CP)

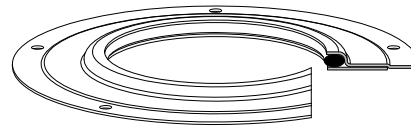


Material Grade: 304

| SIZE | PRICE |
|-------|-------|
| 12mm | 10.00 |
| 18mm | 10.00 |
| 25mm | 10.00 |
| 31mm | 10.00 |
| 38mm | 10.00 |
| 50mm | 11.00 |
| 63mm | 12.00 |
| 76mm | 13.00 |
| 100mm | 14.00 |
| 125mm | 20.00 |
| 150mm | 20.00 |

CEILING PLATE C/W ORING

(CPOR)



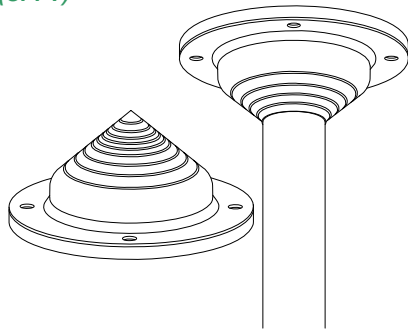
Material Grade: 304

*150mm is Flat Style

| SIZE | PRICE |
|--------|-------|
| 12mm | - |
| 18mm | 13.00 |
| 25mm | 13.50 |
| 31mm | 14.50 |
| 38mm | 15.00 |
| 50mm | 17.00 |
| 63mm | 21.00 |
| 76mm | 30.00 |
| 100mm | 37.00 |
| 125mm | - |
| *150mm | 47.00 |

PIPETITES

(CPPT)

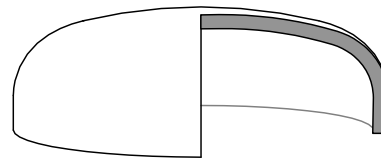


| SIZE RANGE | PRICE |
|-------------|--------|
| 0 - 25mm | 57.50 |
| 0 - 65mm | 57.50 |
| 0 - 95mm | 73.50 |
| 70 - 135mm | 119.00 |
| 100 - 180mm | 171.00 |

Made from food grade
high temperature
silicone.

TUBE END CAP

(TEC)

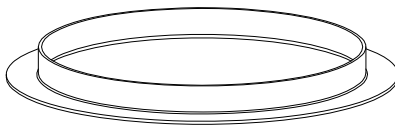


Material Grade: 316

| SIZE | PRICE |
|-------|--------|
| 12mm | 10.00 |
| 18mm | 10.00 |
| 25mm | 10.00 |
| 31mm | 12.00 |
| 38mm | 12.00 |
| 50mm | 12.00 |
| 63mm | 15.00 |
| 76mm | 16.50 |
| 100mm | 20.00 |
| 125mm | 28.00 |
| 150mm | 32.00 |
| 200mm | 48.00 |
| 250mm | 72.00 |
| 300mm | 92.00 |
| 350mm | 200.00 |
| 400mm | 220.00 |

TUBE ANGLE RING

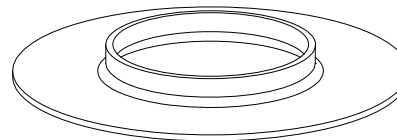
(TAR)



| SIZE | PRICE |
|-------|--------|
| 76mm | 40.00 |
| 100mm | 50.00 |
| 125mm | 56.00 |
| 150mm | 60.00 |
| 200mm | 72.00 |
| 250mm | 119.00 |
| 300mm | 137.00 |
| 350mm | 196.00 |
| 400mm | 217.00 |
| 450mm | 246.00 |
| 500mm | 273.00 |
| 600mm | 330.00 |

TUBE STUB END

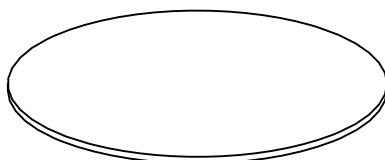
(TSE)



| SIZE | PRICE |
|-------|-------|
| 12mm | 10.00 |
| 18mm | 10.00 |
| 25mm | 10.00 |
| 31mm | 12.00 |
| 38mm | 12.00 |
| 50mm | 12.00 |
| 63mm | 16.00 |
| 76mm | 19.00 |
| 100mm | 26.00 |
| 125mm | 36.00 |
| 150mm | 36.00 |

TUBE END DISC

(TED1, TED3)

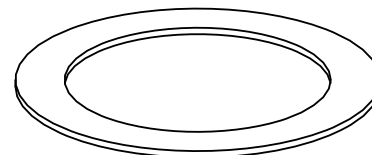


Material Grade: 316

| SIZE | 16# | 10# |
|-------|-------|-------|
| 25mm | 5.00 | 6.00 |
| 31mm | 5.00 | 6.00 |
| 38mm | 5.00 | 6.00 |
| 50mm | 5.00 | 6.00 |
| 63mm | 5.00 | 6.00 |
| 76mm | 6.00 | 7.50 |
| 100mm | 7.00 | 9.00 |
| 125mm | 8.00 | 10.00 |
| 150mm | 10.00 | 12.00 |
| 200mm | | 25.00 |
| 250mm | | 28.00 |
| 300mm | | 32.00 |
| 350mm | | 45.00 |
| 400mm | | 60.00 |
| 450mm | | 70.00 |
| 500mm | | 85.00 |

JACKET END DISC

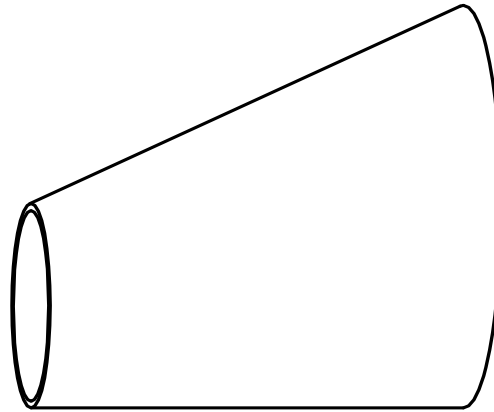
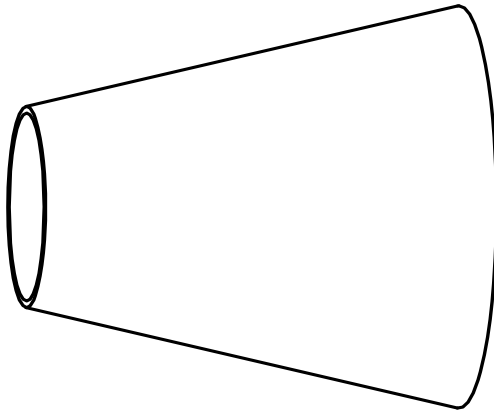
(JED)



Material Grade: 316

| SIZE | PRICE |
|-----------|-------|
| 38x25mm | 7.00 |
| 50x38mm | 8.00 |
| 50x25mm | 8.00 |
| 63x50mm | 10.00 |
| 63x38mm | 10.00 |
| 76x63mm | 10.50 |
| 76x50mm | 10.50 |
| 76x38mm | 10.50 |
| 100x76mm | 11.00 |
| 100x63mm | 11.00 |
| 100x50mm | 11.00 |
| 127x100mm | 20.00 |
| 150x127mm | 22.00 |
| 150x100mm | 22.00 |
| 200x150mm | 27.00 |

316 CONCENTRIC & ECCENTRIC TUBE REDUCERS

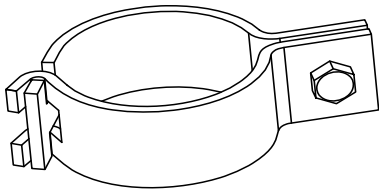


| SIZE | 16# (CONC) | 16# (ECC) | 14# (CONC) | 14# (ECC) | 2205 Conc | 2205 Ecc | SIZE | 16# (CONC) | 16# (ECC) | 14# (CONC) | 14# (ECC) |
|---------|---------------|--------------|---------------|--------------|--------------|-------------|---------|---------------|--------------|---------------|--------------|
| | | | | | | | 150>125 | 60.00 | 70.00 | 72.00 | 84.00 |
| 12>6 | 9.00 | - | - | - | - | - | 150>100 | 66.00 | 73.00 | 80.00 | 88.00 |
| 12>9 | 9.00 | - | - | - | - | - | 150>76 | 70.00 | 76.00 | 84.00 | 92.00 |
| 18>12 | 9.00 | 35.00 | - | - | - | - | 150>63 | 76.00 | 83.00 | 92.00 | 100.00 |
| 25>18 | 9.00 | 30.00 | - | - | - | - | 150>50 | 76.00 | 83.00 | 92.00 | 100.00 |
| 25>12 | 9.00 | 35.00 | - | - | - | - | 150>38 | 83.00 | 92.00 | 100.00 | 111.00 |
| 31>25 | 9.00 | 20.00 | 25.00 | 42.00 | 55.00 | 66.00 | 150>25 | 90.00 | 100.00 | 108.00 | 120.00 |
| 31>18 | 18.00 | 35.00 | - | - | - | - | 200>150 | 165.00 | 182.00 | 198.00 | 219.00 |
| 31>12 | 20.00 | 35.00 | - | - | - | - | 200>125 | 185.00 | 204.00 | 222.00 | 245.00 |
| 38>31 | 9.00 | 20.00 | 25.00 | 42.00 | 55.00 | 66.00 | 200>100 | 185.00 | 204.00 | 222.00 | 245.00 |
| 38>25 | 9.00 | 20.00 | 25.00 | 42.00 | 55.00 | 66.00 | 200>76 | 205.00 | 226.00 | 246.00 | 272.00 |
| 38>18 | 18.00 | 35.00 | - | - | - | - | 200>63 | 225.00 | 248.00 | 270.00 | 298.00 |
| 38>12 | 20.00 | 35.00 | - | - | - | - | 200>50 | 225.00 | 248.00 | 270.00 | 298.00 |
| 50>38 | 9.00 | 20.00 | 25.00 | 42.00 | 55.00 | 66.00 | 250>200 | - | - | 240.00 | 264.00 |
| 50>31 | 10.00 | 25.00 | 40.00 | 48.00 | 60.00 | 72.00 | 250>150 | - | - | 280.00 | 308.00 |
| 50>25 | 10.00 | 25.00 | 40.00 | 48.00 | 60.00 | 72.00 | 250>100 | - | - | 320.00 | 352.00 |
| 50>18 | 25.00 | 50.00 | - | - | - | - | 300>250 | - | - | 280.00 | 308.00 |
| 50>12 | 27.00 | 50.00 | - | - | - | - | 300>200 | - | - | 320.00 | 352.00 |
| 63>50 | 13.00 | 22.00 | 33.00 | 46.00 | 65.00 | 78.00 | 300>150 | - | - | 360.00 | 396.00 |
| 63>38 | 15.00 | 25.00 | 44.00 | 53.00 | 70.00 | 84.00 | 300>100 | - | - | 400.00 | 440.00 |
| 63>31 | 25.00 | - | - | - | - | - | 350>300 | - | - | 320.00 | 352.00 |
| 63>25 | 25.00 | 28.00 | 50.00 | 60.00 | - | - | 350>250 | - | - | 360.00 | 396.00 |
| 76>63 | 18.00 | 28.00 | 40.00 | 48.00 | 75.00 | 90.00 | 350>200 | - | - | 400.00 | 440.00 |
| 76>50 | 18.00 | 28.00 | 40.00 | 48.00 | 75.00 | 90.00 | 350>150 | - | - | 440.00 | 484.00 |
| 76>38 | 29.00 | 32.00 | 45.00 | 54.00 | - | - | 400>350 | - | - | 380.00 | 418.00 |
| 76>25 | 31.00 | 36.00 | 50.00 | 60.00 | - | - | 400>300 | - | - | 440.00 | 484.00 |
| 89>76 | 24.00 | - | - | - | - | - | 400>250 | - | - | 500.00 | 550.00 |
| 100>89 | 26.00 | - | - | - | - | - | 400>200 | - | - | 560.00 | 616.00 |
| 100>76 | 26.00 | 49.00 | 45.00 | 54.00 | 95.00 | 114.00 | 450>400 | - | - | 460.00 | 506.00 |
| 100>63 | 30.00 | 53.00 | 50.00 | 60.00 | 115.00 | 138.00 | 450>350 | - | - | 520.00 | 572.00 |
| 100>50 | 30.00 | 53.00 | 50.00 | 60.00 | 115.00 | 138.00 | 450>300 | - | - | 530.00 | 638.00 |
| 100>38 | 44.00 | 57.00 | 55.00 | 66.00 | - | - | 450>250 | - | - | 640.00 | 704.00 |
| 100>25 | 48.00 | 60.00 | 60.00 | 72.00 | - | - | 500>450 | - | - | 540.00 | 594.00 |
| 125>100 | 50.00 | 68.00 | 60.00 | 82.00 | - | - | 500>400 | - | - | 600.00 | 660.00 |
| 125>76 | 52.00 | 72.00 | 63.00 | 87.00 | - | - | 500>350 | - | - | 660.00 | 726.00 |
| 125>63 | 57.00 | 78.00 | 69.00 | 94.00 | - | - | 500>300 | - | - | 720.00 | 792.00 |
| 125>50 | 57.00 | 78.00 | 69.00 | 94.00 | - | - | | | | | |
| 125>38 | 62.00 | 88.00 | 75.00 | 106.00 | - | - | | | | | |
| 125>25 | 67.00 | 96.00 | 81.00 | 116.00 | - | - | | | | | |
| | (RC) | (RE) | (14RC) | (14RE) | (RC2205) | (RE2205) | | (RC) | (RE) | (14RC) | (14RE) |

NOTE: All reducers 200mm and over come UNPOLISHED as standard

PLAIN CLAMP

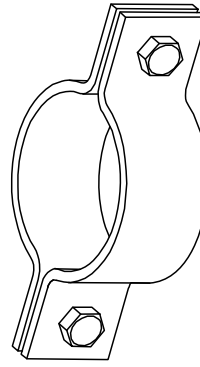
(CLP)



Material Grade: 304

| SIZE | PRICE |
|-------|-------|
| 18mm | 7.00 |
| 25mm | 6.00 |
| 31mm | 7.00 |
| 38mm | 6.50 |
| 50mm | 7.50 |
| 63mm | 9.00 |
| 76mm | 10.00 |
| 100mm | 12.00 |

DOUBLE BOLTED CLAMP



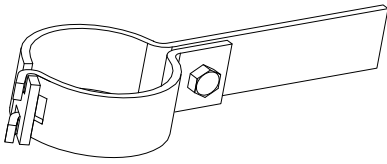
Material Grade: 304

| SIZE | FOR TUBE H/DTY | TUBE H/DTY | FOR PIPE | PIPE H/DTY |
|-------|----------------|------------|----------|------------|
| 12mm | 6.00 | - | 9.00 | - |
| 18mm | 9.00 | - | 9.00 | - |
| 25mm | 9.00 | - | 9.00 | - |
| 31mm | 9.00 | - | 9.00 | - |
| 38mm | 9.00 | - | 10.00 | - |
| 50mm | 10.00 | 28.00 | 12.00 | 30.00 |
| 63mm | 12.00 | 30.00 | 13.00 | 30.00 |
| 76mm | 13.00 | 30.00 | 15.00 | 32.00 |
| 100mm | 15.00 | 35.00 | 18.00 | 38.00 |
| 125mm | 18.00 | 40.00 | 22.50 | 45.00 |
| 150mm | 18.00 | 40.00 | 22.50 | 45.00 |
| 200mm | 40.00 | - | 60.00 | - |
| 250mm | 60.00 | - | 90.00 | - |
| 300mm | 80.00 | - | 120.00 | - |

Code (CLD) (CLDH) (CLDP) (CLDPH)

TANG CLAMP

(CLT)



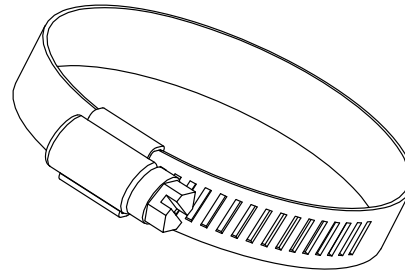
Material Grade: 304

| SIZE | PRICE |
|--------|-------|
| 18mm | 7.50 |
| 25mm | 6.50 |
| 31mm | 7.50 |
| 38mm | 7.00 |
| 50mm | 8.50 |
| 63mm | 10.00 |
| 76mm | 11.00 |
| 100mm | 13.00 |
| *125mm | 26.00 |
| *150mm | 26.00 |

*Double bolted Only

HOSE CLAMP

(CLHO)

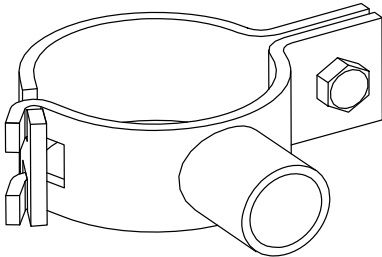


Material Grade: 304

| SIZE | PRICE |
|-------|-------|
| 12mm | 4.00 |
| 18mm | 4.00 |
| 25mm | 4.00 |
| 31mm | 4.00 |
| 38mm | 4.50 |
| 50mm | 4.50 |
| 63mm | 5.00 |
| 76mm | 6.00 |
| 100mm | 6.00 |
| 125mm | 9.00 |
| 150mm | 9.00 |

BOSSED CLAMP

(CLB)



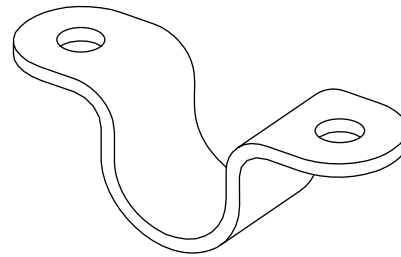
Material Grade: 304

| SIZE | PRICE |
|--------|-------|
| 18mm | 10.00 |
| 25mm | 9.00 |
| 31mm | 10.00 |
| 38mm | 9.50 |
| 50mm | 10.50 |
| 63mm | 12.50 |
| 76mm | 13.50 |
| 100mm | 15.00 |
| *125mm | 23.00 |
| *150mm | 23.00 |

*Double bolted Only

TUBE SADDLE

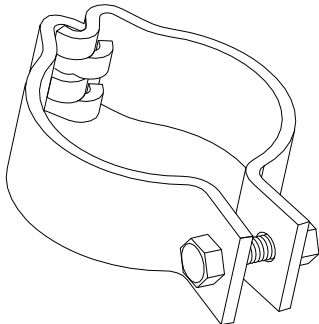
(CLS)



| SIZE | PRICE |
|-------|-------|
| 6mm | 1.70 |
| 9mm | 1.80 |
| 12mm | 2.00 |
| 18mm | 4.00 |
| 25mm | 5.00 |
| 31mm | 5.00 |
| 38mm | 7.00 |
| 50mm | 8.00 |
| 63mm | 9.00 |
| 76mm | 10.00 |
| 100mm | 12.00 |
| 125mm | 28.00 |
| 150mm | 28.00 |

INTERLOCKING CLAMP

(CLI)

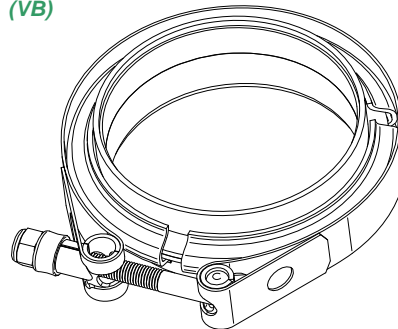


Material Grade: 304

| SIZE | PRICE |
|-------|-------|
| 18mm | 6.00 |
| 25mm | 6.50 |
| 31mm | 7.50 |
| 38mm | 7.00 |
| 50mm | 8.00 |
| 63mm | 9.50 |
| 76mm | 10.50 |
| 100mm | 12.50 |

V BAND CLAMP SETS

(VB)

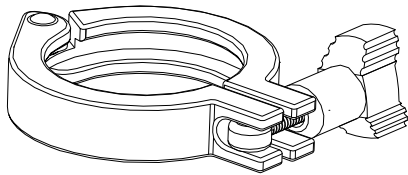


Material: 304

| SIZE | PRICE |
|-------|-------|
| 63mm | 53.00 |
| 76mm | 60.00 |
| 89mm | 70.00 |
| 100mm | 86.00 |

FERRULE CLAMP

(FECL)



Material Grade: 304

| SIZE | PRICE |
|-------|--------|
| 12mm | 5.50 |
| 18mm | 5.50 |
| 25mm | 8.00 |
| 31mm | 8.00 |
| 38mm | 8.00 |
| 50mm | 9.00 |
| 63mm | 10.50 |
| 76mm | 11.50 |
| 100mm | 15.50 |
| 125mm | 30.00 |
| 150mm | 33.50 |
| 200mm | 43.00 |
| 250mm | 185.00 |
| 300mm | 365.00 |

STANDARD 2205 FERRULES

(2205F)

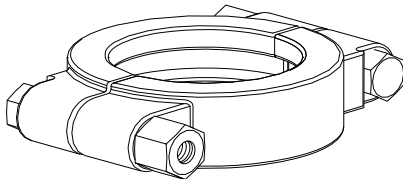


Material Grade: 2205 Duplex

| SIZE | PRICE |
|-------|-------|
| 25mm | 18.00 |
| 31mm | 18.00 |
| 38mm | 18.00 |
| 50mm | 24.00 |
| 63mm | 30.00 |
| 76mm | 35.00 |
| 100mm | 48.00 |

H/DUTY FERRULE CLAMP

(FECH)

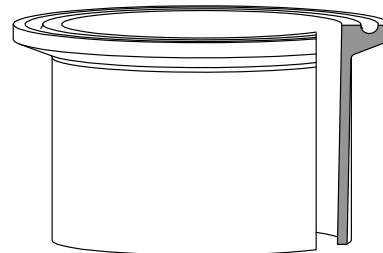


Material Grade: 304

| SIZE | PRICE |
|-------|-------|
| 12mm | 20.00 |
| 18mm | 20.00 |
| 25mm | 22.00 |
| 31mm | 22.00 |
| 38mm | 22.00 |
| 50mm | 28.00 |
| 63mm | 31.00 |
| 76mm | 34.00 |
| 100mm | 40.00 |
| 125mm | 70.00 |
| 150mm | 74.00 |
| 200mm | 90.00 |

FERRULE EXTENDED LEG

(FEE)



Material Grade: 316

| SIZE | PRICE |
|-------|-------|
| 12mm | 12.00 |
| 18mm | 12.00 |
| 25mm | 21.00 |
| 31mm | 21.00 |
| 38mm | 21.00 |
| 50mm | 23.00 |
| 63mm | 27.00 |
| 76mm | 33.00 |
| 100mm | 46.00 |

STANDARD FERRULE

(FE)



Material Grade: 316

NOTE: Reducing Ferrules now on Page 21

| SIZE | PRICE |
|-------|--------|
| 12mm | 6.50 |
| 18mm | 6.50 |
| 25mm | 5.50 |
| 31mm | 5.50 |
| 38mm | 5.50 |
| 50mm | 6.50 |
| 63mm | 9.00 |
| 76mm | 12.00 |
| 100mm | 16.00 |
| 125mm | 60.00 |
| 150mm | 73.00 |
| 200mm | 99.00 |
| 250mm | 115.00 |
| 300mm | 130.00 |

FERRULE CAP

(FEC)

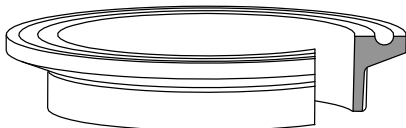


Material Grade: 316

| SIZE | PRICE |
|-------|--------|
| 12mm | 5.00 |
| 18mm | 5.00 |
| 25mm | 5.00 |
| 31mm | 5.00 |
| 38mm | 5.00 |
| 50mm | 7.00 |
| 63mm | 10.00 |
| 76mm | 13.50 |
| 100mm | 27.50 |
| 125mm | 75.00 |
| 150mm | 90.00 |
| 200mm | 145.00 |
| 250mm | 185.00 |
| 300mm | 275.00 |

SHORT FERRULE

(FES)



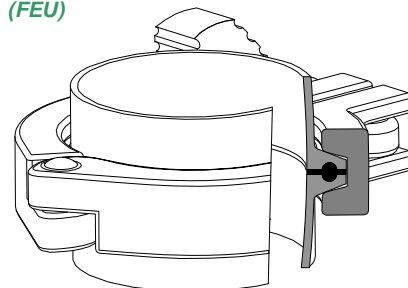
Material Grade: 316

NOTE: Reducing Ferrules now on Page 21

| SIZE | PRICE |
|-------|-------|
| 25mm | 5.50 |
| 38mm | 5.50 |
| 50mm | 6.50 |
| 63mm | 9.00 |
| 76mm | 12.00 |
| 100mm | 16.00 |

FERRULE UNION C/W EPDM SEAL

(FEU)

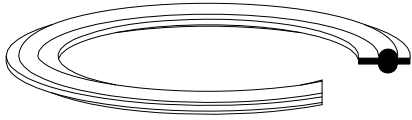


| SIZE | PRICE |
|-------|--------|
| 12mm | 19.80 |
| 18mm | 19.80 |
| 25mm | 20.20 |
| 31mm | 20.20 |
| 38mm | 20.20 |
| 50mm | 23.50 |
| 63mm | 30.50 |
| 76mm | 37.90 |
| 100mm | 50.00 |
| 125mm | 160.00 |
| 150mm | 191.50 |
| 200mm | 266.00 |
| 250mm | 445.00 |
| 300mm | 659.00 |

FERRULE EPDM SEAL

(FE1) (FE2)

| SIZE | (1) | (200) |
|--------|-------|-------|
| 12mm | 1.30 | 1.00 |
| 18mm | 1.30 | 1.00 |
| 25mm | 1.20 | 0.90 |
| 31mm | 1.20 | 0.90 |
| 38mm | 1.20 | 0.90 |
| 50mm | 1.50 | 1.00 |
| 63mm | 2.00 | 1.50 |
| 76mm | 2.40 | 1.80 |
| 100mm | 2.50 | 2.00 |
| *125mm | 10.00 | 7.00 |
| *150mm | 12.00 | 8.00 |
| *200mm | 25.00 | 18.00 |
| *250mm | 30.00 | - |
| *300mm | 34.00 | - |



* Flanged

FERRULE VITON SEAL

(FEV1) (FEV2)

| SIZE | PRICE | (25) |
|--------|-------|-------|
| 12mm | 6.50 | 5.00 |
| 18mm | 6.50 | 5.00 |
| 25mm | 8.50 | 6.50 |
| 31mm | 9.00 | 7.00 |
| 38mm | 8.00 | 6.00 |
| 50mm | 9.00 | 7.00 |
| 63mm | 11.00 | 8.50 |
| 76mm | 13.00 | 10.00 |
| 100mm | 15.00 | 11.50 |
| *150mm | 50.00 | 37.50 |

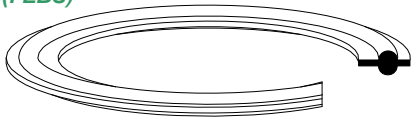


*150mm: Flanged

FERRULE BUNA SEAL

(FEBS)

| SIZE | STD | FLGD |
|-------|------|-------|
| 12mm | 5.00 | - |
| 18mm | 6.50 | - |
| 25mm | 3.00 | 3.50 |
| 31mm | 6.00 | 7.00 |
| 38mm | 3.00 | 3.50 |
| 50mm | 4.00 | 4.50 |
| 63mm | 4.50 | 6.00 |
| 76mm | 5.00 | 7.50 |
| 100mm | 6.50 | 10.00 |
| 150mm | - | 30.00 |
| 200mm | - | 50.00 |



(FEBF)

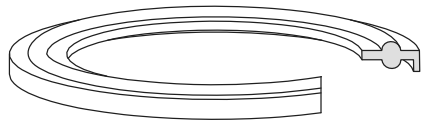
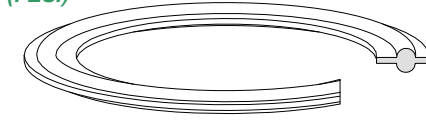


FERRULE SILICONE SEAL

(FESS)

(FESI)

| SIZE | STD | FLNG |
|-------|------|-------|
| 12mm | 3.00 | - |
| 18mm | 3.00 | - |
| 25mm | 3.00 | 5.00 |
| 31mm | 5.00 | 8.00 |
| 38mm | 3.00 | 5.00 |
| 50mm | 3.50 | 5.50 |
| 63mm | 4.00 | 6.00 |
| 76mm | 5.00 | 8.00 |
| 100mm | 6.00 | 10.00 |
| 150mm | - | 15.00 |



FERRULE TEFLON SEAL

(FETS) (FETE)

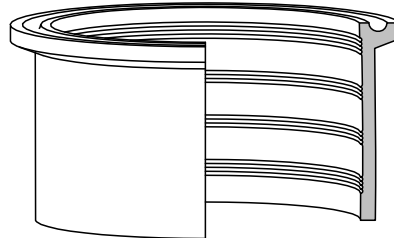
| SIZE | Solid | Env |
|-------|--------|-------|
| 12mm | 6.00 | - |
| 18mm | 6.50 | - |
| 25mm | 10.00 | 13.00 |
| 31mm | 12.00 | - |
| 38mm | 10.00 | 11.00 |
| 50mm | 10.00 | 13.00 |
| 63mm | 11.00 | 17.00 |
| 76mm | 12.00 | 19.00 |
| 100mm | 20.00 | 36.00 |
| 150mm | 65.00 | - |
| 200mm | 178.00 | - |



EXPANDON FERRULE

(FEXP)

| SIZE | PRICE |
|-------|-------|
| 25mm | 6.00 |
| 38mm | 7.00 |
| 50mm | 10.00 |
| 63mm | 13.00 |
| 76mm | 16.00 |
| 100mm | 23.00 |

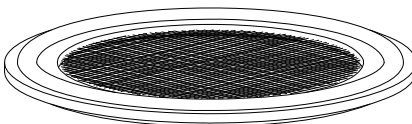


FERRULE SCREEN GASKET

(FESG)

(FESGT)

| SIZE | EPDM | PTFE |
|-------|-------|-------|
| 38mm | 50.00 | 52.00 |
| 50mm | 55.00 | 58.00 |
| 63mm | 65.00 | 68.00 |
| 76mm | 70.00 | 74.00 |
| 100mm | 80.00 | 85.00 |

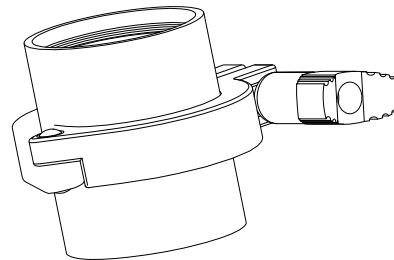


Available in 20,40,60,80
& 100 mesh

EXPANDON FERRULE UNIONS

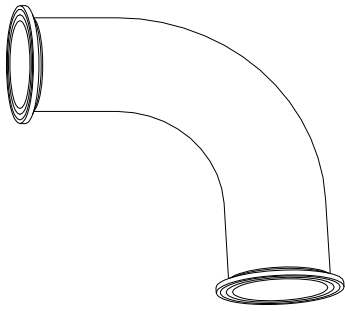
(FEXPU)

| SIZE | PRICE |
|-------|-------|
| 25mm | 21.30 |
| 38mm | 23.20 |
| 50mm | 30.50 |
| 63mm | 38.50 |
| 76mm | 45.90 |
| 100mm | 64.00 |



FERRULE 90° BENDS

(FEB)

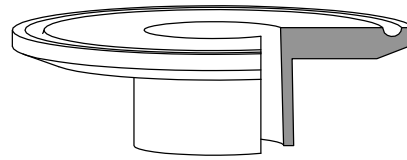


| SIZE | PRICE |
|-------|--------|
| 12mm | 69.00 |
| 18mm | 71.00 |
| 25mm | 70.00 |
| 31mm | 83.00 |
| 38mm | 85.00 |
| 50mm | 92.00 |
| 63mm | 127.00 |
| 76mm | 141.00 |
| 100mm | 193.00 |

Material Grade: 316

REDUCING FERRULE

(FER)

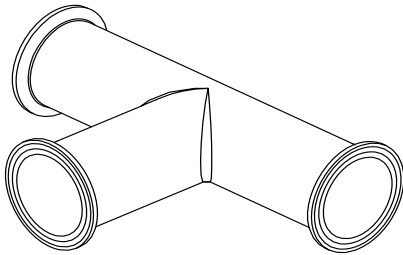


| SIZE | PRICE |
|-------|-------|
| 25mm | 40.00 |
| 31mm | 40.00 |
| 38mm | 40.00 |
| 50mm | 45.00 |
| 63mm | 60.00 |
| 76mm | 70.00 |
| 100mm | 80.00 |

Material Grade: 316

FERRULE TEES

(FET)



| SIZE | PRICE |
|-------|--------|
| 12mm | 177.50 |
| 18mm | 177.50 |
| 25mm | 174.50 |
| 31mm | 199.50 |
| 38mm | 199.50 |
| 50mm | 208.50 |
| 63mm | 258.00 |
| 76mm | 280.00 |
| 100mm | 381.00 |

Material Grade: 316

FERRULE EPDM ORIFICE PLATE

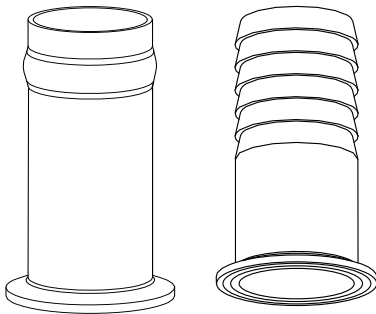
(FEOP)



| SIZE | PRICE |
|------|-------|
| 38mm | 45.00 |
| 50mm | 50.00 |

FERRULE HOSETAILS

(FEH1) (FEH2)



| SIZE | Rolled | Barbed |
|-------|--------|--------|
| 12mm | - | 40.00 |
| 18mm | - | 40.00 |
| 25mm | 66.50 | 68.50 |
| 31mm | 74.50 | 77.50 |
| 38mm | 74.50 | 79.50 |
| 50mm | 76.50 | 84.50 |
| 63mm | 93.00 | 109.00 |
| 76mm | 98.00 | 127.00 |
| 100mm | 129.00 | 181.00 |

(304) (316)

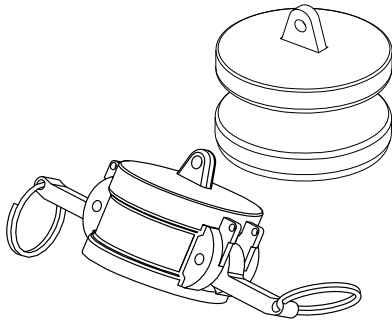
POLYCARBONATE FERRULE LENS

(FEL)



| SIZE | PRICE |
|-------|--------|
| 25mm | 30.00 |
| 31mm | 30.00 |
| 38mm | 30.00 |
| 50mm | 35.00 |
| 63mm | 38.00 |
| 76mm | 40.00 |
| 100mm | 45.00 |
| 150mm | 90.00 |
| 200mm | 145.00 |

CAMLOCK PLUGS & CAPS

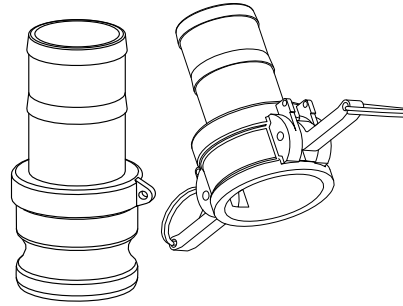


Material Grade: 316

| SIZE | CAP | PLUG |
|-------|--------|--------|
| 12mm | 12.00 | 7.50 |
| 18mm | 12.00 | 7.50 |
| 25mm | 15.00 | 11.50 |
| 31mm | 22.50 | 14.00 |
| 38mm | 24.50 | 19.00 |
| 50mm | 32.00 | 23.00 |
| 63mm | 43.50 | 34.00 |
| 76mm | 84.50 | 60.00 |
| 100mm | 112.50 | 103.00 |
| 150mm | 240.00 | 206.00 |

(CAMDC) (CAMDP)

CAMLOCK HOSETAILS



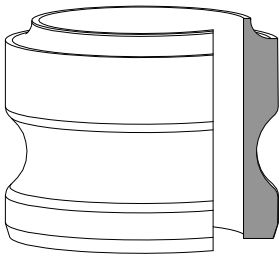
Material Grade: 316

| SIZE | MALE | FEMALE |
|-------|--------|--------|
| 12mm | 10.00 | 14.00 |
| 18mm | 11.50 | 14.00 |
| 25mm | 13.50 | 16.00 |
| 31mm | 19.50 | 23.50 |
| 38mm | 26.50 | 28.00 |
| 50mm | 35.50 | 37.50 |
| 63mm | 71.50 | 51.50 |
| 76mm | 98.50 | 71.50 |
| 100mm | 150.00 | 108.00 |
| 150mm | 258.00 | 375.00 |

(CAME) (CAMC)

MALE CAMLOCK B/W

(CAM)

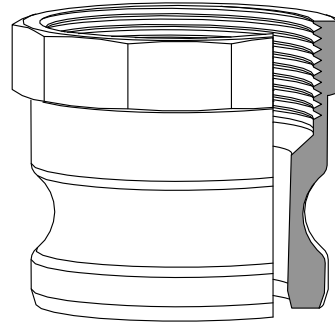


Material Grade: 316

| SIZE | PRICE |
|-------|--------|
| 25mm | 38.00 |
| 38mm | 45.00 |
| 50mm | 55.00 |
| 63mm | 70.00 |
| 76mm | 90.00 |
| 100mm | 135.00 |

MALE CAMLOCK > FEMALE BSP

(CAMA)

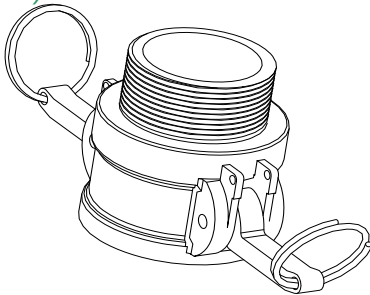


Material Grade: 316

| SIZE | PRICE |
|-------|--------|
| 12mm | 9.00 |
| 18mm | 9.00 |
| 25mm | 11.50 |
| 31mm | 15.50 |
| 38mm | 19.00 |
| 50mm | 25.00 |
| 63mm | 52.50 |
| 76mm | 66.00 |
| 100mm | 75.00 |
| 150mm | 206.00 |

FEMALE CAMLOCK > MALE BSP

(CAMB)

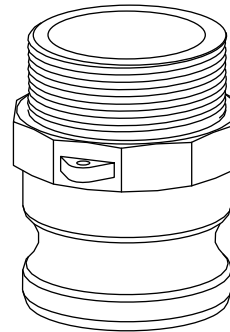


Material Grade: 316

| SIZE | PRICE |
|-------|--------|
| 12mm | 12.50 |
| 18mm | 14.00 |
| 25mm | 18.00 |
| 31mm | 30.00 |
| 38mm | 32.00 |
| 50mm | 38.50 |
| 63mm | 65.50 |
| 76mm | 84.50 |
| 100mm | 105.00 |
| 150mm | 304.00 |

MALE CAMLOCK > MALE BSP

(CAMF)

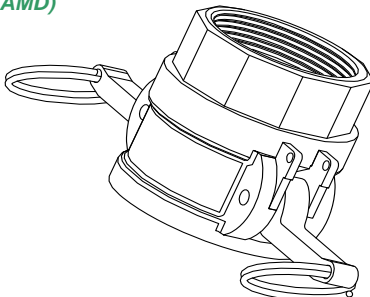


Material Grade: 316

| SIZE | PRICE |
|-------|--------|
| 12mm | 13.00 |
| 18mm | 14.00 |
| 25mm | 18.00 |
| 31mm | 23.00 |
| 38mm | 28.00 |
| 50mm | 38.00 |
| 63mm | 55.50 |
| 76mm | 69.50 |
| 100mm | 104.50 |
| 150mm | 320.50 |

FEMALE CAMLOCK > FEMALE BSP

(CAMD)

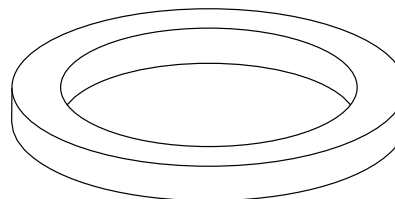


Material Grade: 316

| SIZE | PRICE |
|-------|--------|
| 12mm | 13.50 |
| 18mm | 13.50 |
| 25mm | 18.00 |
| 31mm | 24.50 |
| 38mm | 31.00 |
| 50mm | 38.50 |
| 63mm | 60.00 |
| 76mm | 74.50 |
| 100mm | 112.50 |
| 150mm | 345.00 |

CAMLOCK BUNA GASKET

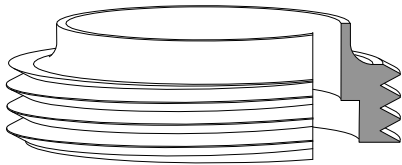
(CAMG)



| SIZE | PRICE |
|-------|-------|
| 12mm | 1.50 |
| 18mm | 1.50 |
| 25mm | 1.50 |
| 31mm | 2.00 |
| 38mm | 2.00 |
| 50mm | 2.00 |
| 63mm | 2.50 |
| 76mm | 3.00 |
| 100mm | 4.00 |
| 150mm | 8.00 |

WINE MALE PART

(WM)

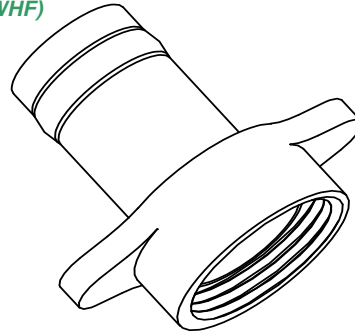


| SIZE | PRICE |
|-------|-------|
| 25mm | 14.00 |
| 38mm | 15.00 |
| 50mm | 16.00 |
| 63mm | 22.00 |
| 76mm | 25.00 |
| 100mm | 44.00 |

Material Grade: 316

WINE HOSETAIL FEMALE

(WHF)

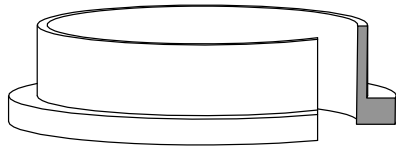


| SIZE | PRICE |
|-------|--------|
| 25mm | 94.00 |
| 38mm | 106.00 |
| 50mm | 124.00 |
| 63mm | 154.00 |
| 76mm | 167.00 |
| 100mm | 236.00 |

*With Brass Nut
as Standard

WINE LINER SLIP ON

(WLS)

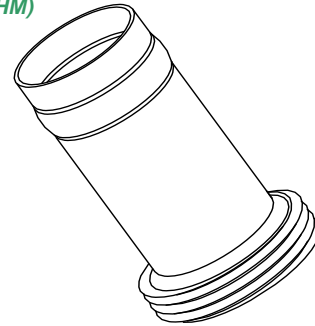


| SIZE | PRICE |
|-------|-------|
| 25mm | 10.00 |
| 38mm | 11.00 |
| 50mm | 12.00 |
| 63mm | 18.00 |
| 76mm | 20.00 |
| 100mm | 32.00 |

Material Grade: 316

WINE HOSETAIL MALE

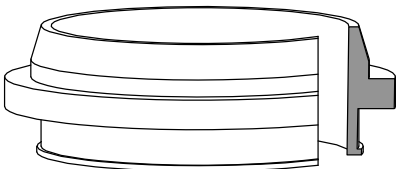
(WHM)



| SIZE | PRICE |
|-------|--------|
| 25mm | 65.00 |
| 38mm | 72.00 |
| 50mm | 74.00 |
| 63mm | 92.00 |
| 76mm | 97.00 |
| 100mm | 138.00 |

WINE LINER B/W

(WLBW)

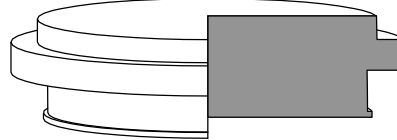


| SIZE | PRICE |
|-------|-------|
| 38mm | 12.00 |
| 50mm | 13.00 |
| 76mm | 26.00 |
| 100mm | 40.00 |

Material Grade: 316

WINE BLANK CAP

(WBC)

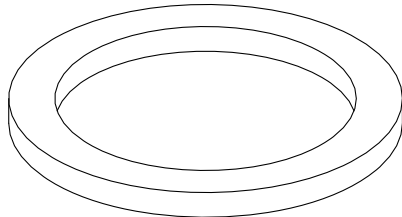


| SIZE | PRICE |
|-------|-------|
| 25mm | 30.00 |
| 38mm | 36.00 |
| 50mm | 42.00 |
| 63mm | 50.00 |
| 76mm | 60.00 |
| 100mm | 70.00 |

Material Grade: 316

WINE EPDM SEAL

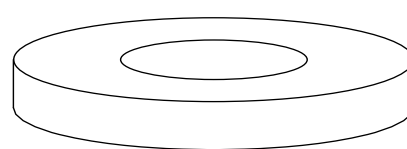
(WS)



| SIZE | PRICE |
|-------|-------|
| 25mm | 2.50 |
| 38mm | 2.50 |
| 50mm | 2.75 |
| 63mm | 3.00 |
| 76mm | 3.00 |
| 100mm | 6.00 |

WINE MALE PROTECTOR

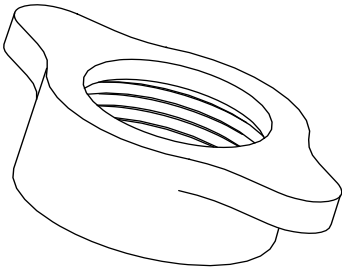
(WMP)



| SIZE | PRICE |
|-------|-------|
| 25mm | 9.00 |
| 38mm | 10.00 |
| 50mm | 12.00 |
| 63mm | 14.00 |
| 76mm | 15.00 |
| 100mm | 19.00 |

WINE BRASS NUT

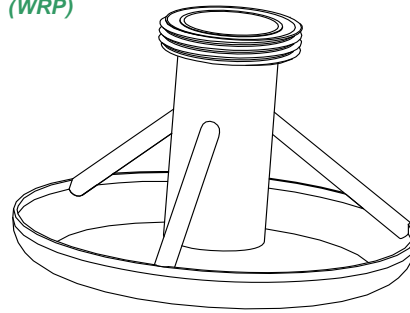
(WBN)



| SIZE | PRICE |
|-------|--------|
| 25mm | 33.00 |
| 38mm | 38.00 |
| 50mm | 54.00 |
| 63mm | 66.00 |
| 76mm | 75.00 |
| 100mm | 110.00 |

RACKING PLATES

(WRP)

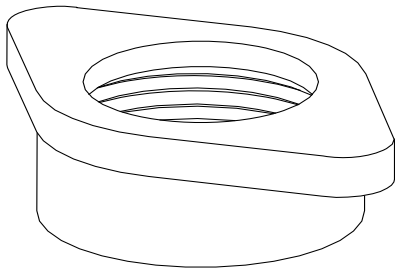


| SIZE | PRICE |
|------|--------|
| 50mm | 225.00 |

Material Grade: 316

WINE S/S WING NUT

(WVN)



| SIZE | PRICE |
|-------|--------|
| 50mm | 56.00 |
| 76mm | 77.00 |
| 100mm | 112.00 |

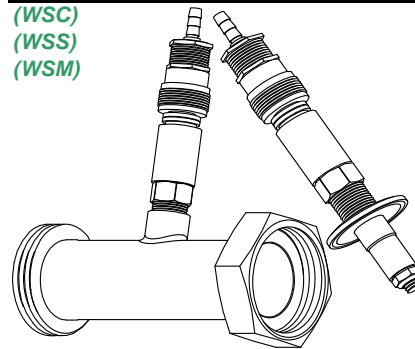
Material Grade: 304

SPARGERS

(WSC)

(WSS)

(WSM)



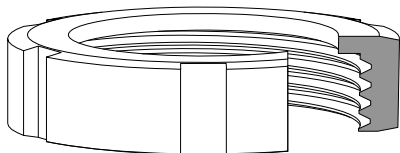
| Part | PRICE |
|---------------|--------|
| Complete | 390.00 |
| Sparger only | 275.00 |
| Manifold only | 115.00 |

Spargers available with
[BSP or Ferrule connections](#)

Material Grade: 316

WINE S/S SLOTTED NUT

(WSN)

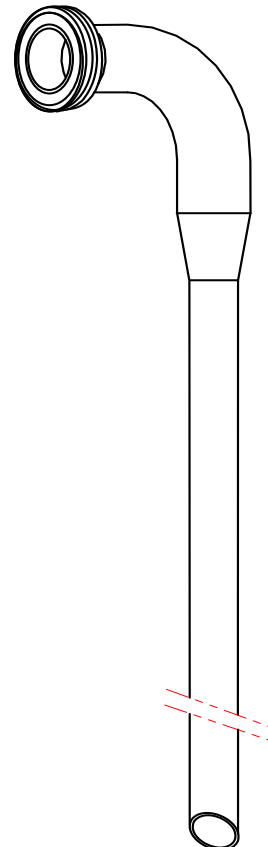


| SIZE | PRICE |
|-------|--------|
| 50mm | 56.00 |
| 76mm | 77.00 |
| 100mm | 112.00 |

Material Grade: 304

BARREL SPEARS

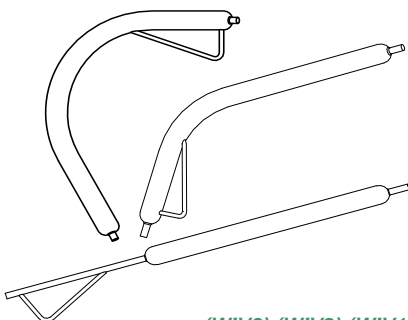
(WBS)



| SIZE | PRICE |
|------|--------|
| 38mm | 150.00 |
| 50mm | 175.00 |

Material Grade: 316

VALENCHES



| TYPE | PRICE |
|----------|--------|
| STRAIGHT | 130.00 |

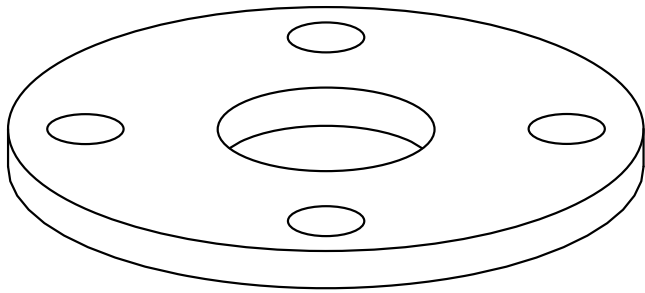
| SIZE | PRICE |
|--------|--------|
| CURVED | 145.00 |

| SIZE | PRICE |
|-----------|--------|
| EX CURVED | 200.00 |

Material Grade: 316

(WIV3) (WIV2) (WIV1)

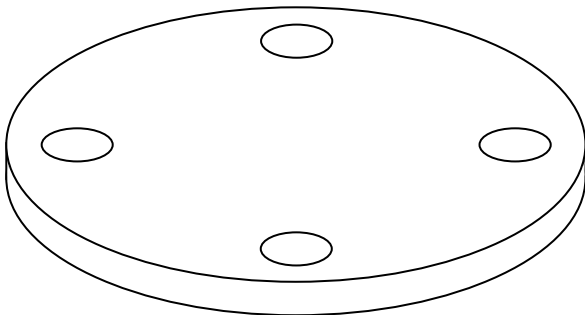
S/S TABLE FLANGES TO SUIT TUBE OR PIPE



(FLD4) (FLD6) (FLE4) (FLE6) (FLH6)

| SIZE | TD 304 | TD 316 | TE 304 | TE 316 | TH 316 |
|-------|--------|--------|--------|--------|--------|
| 12mm | - | - | 21.00 | 22.50 | 40.00 |
| 18mm | - | - | 21.50 | 23.50 | 40.00 |
| 25mm | - | - | 22.50 | 27.00 | 45.00 |
| 31mm | - | - | 25.00 | 29.50 | 60.00 |
| 38mm | 26.00 | 31.00 | 27.00 | 34.50 | 60.00 |
| 50mm | 32.00 | 35.50 | 37.00 | 42.00 | 80.00 |
| 63mm | 34.50 | 41.00 | 41.50 | 47.00 | 120.00 |
| 76mm | 43.50 | 53.50 | 46.50 | 62.50 | 165.00 |
| 100mm | 48.50 | 63.00 | 59.00 | 78.50 | 200.00 |
| 125mm | 87.50 | 110.50 | 100.50 | 121.00 | 300.00 |
| 150mm | 100.00 | 132.50 | 128.00 | 157.50 | 350.00 |
| 200mm | 129.50 | 169.50 | 192.00 | 249.00 | POA |
| 250mm | 251.50 | 297.50 | 342.50 | 434.00 | POA |
| 300mm | 361.50 | 447.00 | 453.50 | 547.50 | POA |

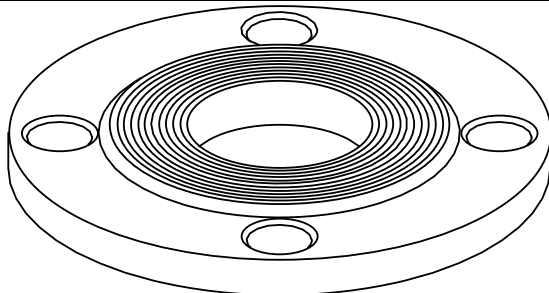
S/S BLIND TABLE FLANGES



(FLBD4) (FLBD6) (FLBE4) (FLBE6)

| SIZE | TD 304 | TD 316 | TE 304 | TE 316 |
|-------|--------|--------|--------|--------|
| 12mm | - | - | 24.00 | 26.00 |
| 18mm | - | - | 24.50 | 27.50 |
| 25mm | - | - | 26.00 | 29.50 |
| 31mm | - | - | 27.50 | 33.00 |
| 38mm | 27.00 | 33.00 | 31.00 | 37.00 |
| 50mm | 33.00 | 40.00 | 41.00 | 46.50 |
| 63mm | 37.00 | 45.00 | 46.50 | 53.50 |
| 76mm | 44.00 | 59.50 | 57.00 | 69.00 |
| 100mm | 55.50 | 81.50 | 72.50 | 95.50 |
| 125mm | 92.50 | 137.50 | 119.50 | 154.00 |
| 150mm | 108.50 | 156.50 | 147.00 | 194.00 |
| 200mm | 158.00 | 227.00 | 251.50 | 309.50 |
| 250mm | 296.00 | 401.50 | 398.00 | 512.00 |
| 300mm | 436.00 | 613.50 | 512.00 | 732.50 |

S/S DIN & ANSI FLANGES 316

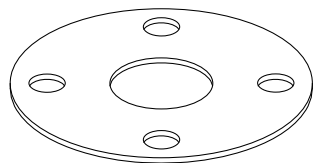


(FLDIN) (FLANSI) (FLDINP) (FLANSIP)

| SIZE | TO SUIT TUBE | | TO SUIT PIPE | |
|-------|--------------|----------|--------------|----------|
| | DIN 16 | ANSI 150 | DIN 16 | ANSI 150 |
| 12mm | 18.00 | 18.00 | 13.00 | 8.00 |
| 18mm | 23.00 | 20.00 | 17.00 | 11.00 |
| 25mm | 35.00 | 30.00 | 20.00 | 15.00 |
| 31mm | 50.00 | 35.00 | 34.00 | 20.00 |
| 38mm | 58.00 | 40.00 | 38.00 | 26.00 |
| 50mm | 68.00 | 55.00 | 50.00 | 40.00 |
| 63mm | 75.00 | 75.00 | 58.00 | 60.00 |
| 76mm | 110.00 | 100.00 | 62.00 | 70.00 |
| 100mm | 120.00 | 130.00 | 76.00 | 96.00 |
| 125mm | 145.00 | 145.00 | 92.00 | 112.00 |
| 150mm | 165.00 | 165.00 | 123.00 | 140.00 |
| 200mm | 200.00 | 200.00 | N/A | N/A |

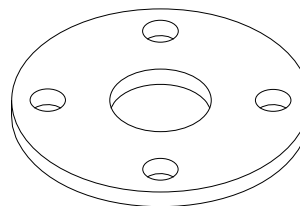
FLANGE GASKETS (suit tube)

*TD/TE-INSERTION RUBBER
* DIN / ANSI - EPDM



| SIZE | TD/TE (FLG1) | DIN (FLG2) | ANSI (FLG3) |
|-------|--------------|------------|-------------|
| 12mm | 1.00 | 2.50 | 2.50 |
| 18mm | 1.00 | 2.50 | 2.50 |
| 25mm | 1.50 | 3.00 | 3.00 |
| 31mm | 1.50 | 3.50 | 3.50 |
| 38mm | 2.00 | 4.00 | 4.00 |
| 50mm | 2.50 | 5.00 | 5.00 |
| 63mm | 3.00 | 6.00 | 6.00 |
| 76mm | 4.00 | 7.50 | 7.50 |
| 100mm | 5.00 | 8.00 | 8.00 |
| 125mm | 6.00 | 15.00 | 15.00 |
| 150mm | 8.00 | 16.00 | 16.00 |
| 200mm | 10.00 | - | - |
| 250mm | 15.00 | - | - |
| 300mm | 20.00 | - | - |

GALV. BACKING FLANGES

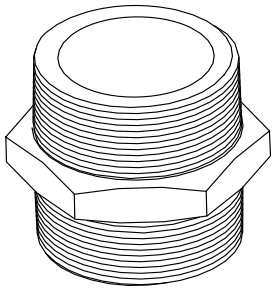


(FLGD) (FLGE)

| SIZE | TD | TE | ANSI150 |
|-------|--------|--------|---------|
| 25mm | 9.00 | - | 12.00 |
| 31mm | 9.00 | - | 12.00 |
| 38mm | 9.00 | - | 12.00 |
| 50mm | 12.00 | - | 16.00 |
| 63mm | 14.00 | - | 18.00 |
| 76mm | 16.00 | - | 21.00 |
| 100mm | 21.00 | 24.00 | 28.00 |
| 125mm | - | 30.00 | 38.00 |
| 150mm | - | 34.00 | 44.00 |
| 200mm | - | 45.00 | 58.00 |
| 250mm | 62.00 | 65.00 | 78.00 |
| 300mm | - | 97.00 | 112.00 |
| 350mm | - | 143.00 | 170.00 |
| 400mm | - | 190.00 | 241.00 |
| 450mm | 214.00 | 218.00 | 281.00 |
| 500mm | - | 328.00 | 421.00 |
| 600mm | - | 446.00 | 595.00 |

BSP HEX NIPPLE

(BPNH)

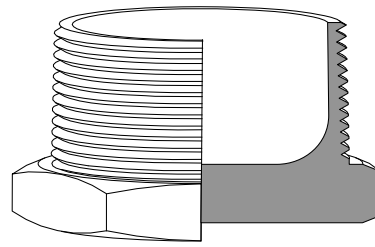


Material Grade: 316

| SIZE | PRICE |
|-------|-------|
| 3mm | 1.00 |
| 6mm | 1.50 |
| 9mm | 2.00 |
| 12mm | 2.50 |
| 18mm | 3.50 |
| 25mm | 5.00 |
| 31mm | 7.00 |
| 38mm | 10.00 |
| 50mm | 14.00 |
| 63mm | 30.00 |
| 76mm | 36.00 |
| 100mm | 50.00 |

BSP PLUG

(BPP)

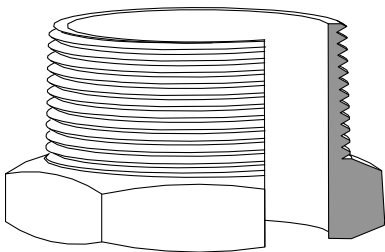


Material Grade: 316

| SIZE | PRICE |
|-------|-------|
| 3mm | 2.00 |
| 6mm | 2.50 |
| 9mm | 3.00 |
| 12mm | 3.50 |
| 18mm | 4.00 |
| 25mm | 6.00 |
| 31mm | 10.00 |
| 38mm | 11.00 |
| 50mm | 15.00 |
| 63mm | 28.00 |
| 76mm | 35.00 |
| 100mm | 70.00 |

BSP HALF HEX NIPPLE

(BPHHN)

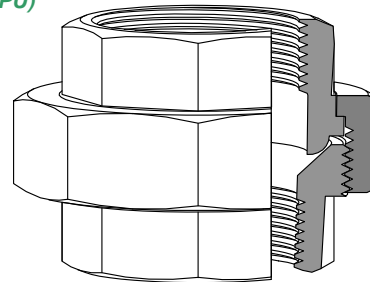


Material Grade: 316

| SIZE | PRICE |
|-------|-------|
| 12mm | 10.00 |
| 18mm | 11.00 |
| 25mm | 13.00 |
| 31mm | 15.00 |
| 38mm | 18.00 |
| 50mm | 20.00 |
| 63mm | 25.00 |
| 76mm | 30.00 |
| 100mm | 40.00 |

BSP UNION

(BPU)

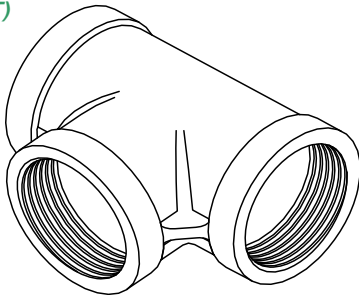


Material Grade: 316

| SIZE | PRICE |
|-------|--------|
| 3mm | 8.00 |
| 6mm | 8.00 |
| 9mm | 10.50 |
| 12mm | 11.00 |
| 18mm | 13.50 |
| 25mm | 20.00 |
| 31mm | 36.00 |
| 38mm | 40.00 |
| 50mm | 56.00 |
| 63mm | 100.00 |
| 76mm | 136.00 |
| 100mm | 200.00 |

BSP FEMALE TEE

(BPT)

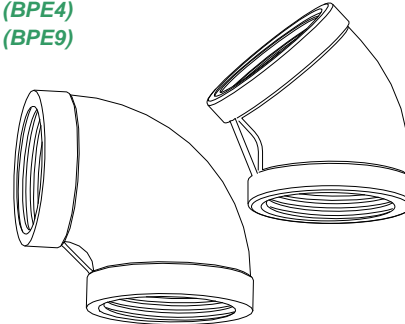


Material Grade: 316

| SIZE | PRICE |
|-------|--------|
| 3mm | 4.00 |
| 6mm | 4.00 |
| 9mm | 4.75 |
| 12mm | 6.00 |
| 18mm | 8.50 |
| 25mm | 14.50 |
| 31mm | 19.00 |
| 38mm | 27.50 |
| 50mm | 37.50 |
| 63mm | 80.00 |
| 76mm | 100.00 |
| 100mm | 180.00 |

BSP ELBOW FEMALE

(BPE4)
(BPE9)

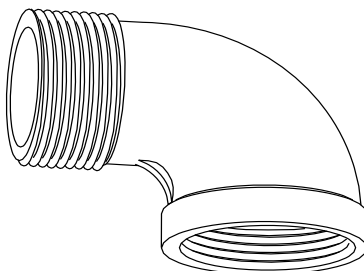


Material Grade: 316

| SIZE | 45° | 90° |
|-------|-------|--------|
| 3mm | - | 4.00 |
| 6mm | 5.00 | 4.00 |
| 9mm | 5.00 | 4.00 |
| 12mm | 6.00 | 4.50 |
| 18mm | 7.00 | 6.00 |
| 25mm | 12.00 | 11.00 |
| 31mm | 15.50 | 14.00 |
| 38mm | 22.00 | 20.00 |
| 50mm | 30.00 | 28.00 |
| 63mm | - | 60.00 |
| 76mm | - | 80.00 |
| 100mm | - | 115.00 |

BSP 90° M/F ELBOWS

(BPEMF)

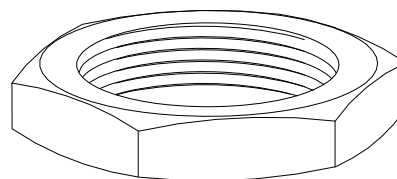


Material Grade: 316

| SIZE | PRICE |
|------|-------|
| 3mm | 5.00 |
| 6mm | 5.00 |
| 9mm | 5.00 |
| 12mm | 5.00 |
| 18mm | 8.00 |
| 25mm | 12.00 |
| 31mm | 16.00 |
| 38mm | 22.00 |
| 50mm | 32.00 |

BSP LOCK NUT

(BPN)

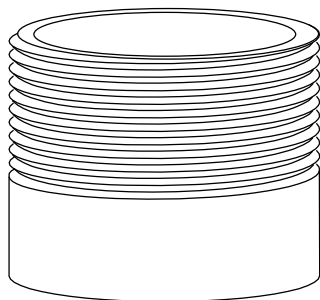


Material Grade: 316

| SIZE | PRICE |
|-------|-------|
| 3mm | 2.00 |
| 6mm | 2.10 |
| 9mm | 2.20 |
| 12mm | 3.00 |
| 18mm | 3.50 |
| 25mm | 5.00 |
| 31mm | 6.00 |
| 38mm | 6.25 |
| 50mm | 10.00 |
| 63mm | 18.00 |
| 76mm | 28.00 |
| 100mm | 32.00 |

BSP TOE NIPPLE

(BPNT)

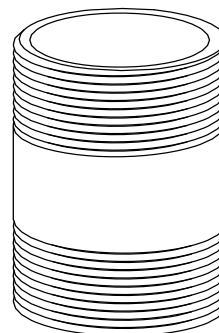


Material Grade: 316

| SIZE | PRICE |
|-------|--------|
| 3mm | 2.00 |
| 6mm | 2.00 |
| 9mm | 2.25 |
| 12mm | 2.25 |
| 18mm | 3.00 |
| 25mm | 4.50 |
| 31mm | 7.00 |
| 38mm | 8.50 |
| 50mm | 11.50 |
| 63mm | 21.00 |
| 76mm | 31.50 |
| 100mm | 47.00 |
| 125mm | 120.00 |
| 150mm | 120.00 |

BSP BARREL NIPPLE

(BPNB)

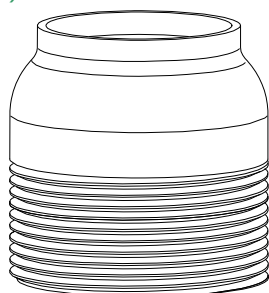


Material Grade: 316

| SIZE | PRICE |
|-------|--------|
| 3mm | 5.00 |
| 6mm | 5.00 |
| 9mm | 3.50 |
| 12mm | 3.50 |
| 18mm | 4.50 |
| 25mm | 6.00 |
| 31mm | 9.50 |
| 38mm | 11.50 |
| 50mm | 15.00 |
| 63mm | 27.00 |
| 76mm | 40.00 |
| 100mm | 65.00 |
| 125mm | 195.00 |
| 150mm | 205.00 |

BSP TOE NIPPLE TUBE

(BPTTN)



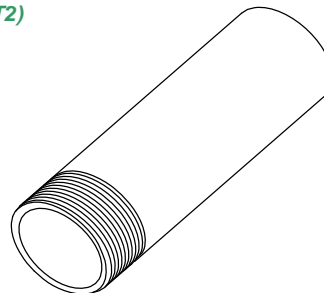
Material Grade: 316

| SIZE | PRICE |
|-------|-------|
| 12mm | 10.00 |
| 18mm | 11.00 |
| 25mm | 12.00 |
| 31mm | 15.00 |
| 38mm | 17.00 |
| 50mm | 20.00 |
| 63mm | 45.00 |
| 76mm | 50.00 |
| 100mm | 75.00 |

BSP EXTENDED TOE NIPPLE

(BPT1)

(BPT2)



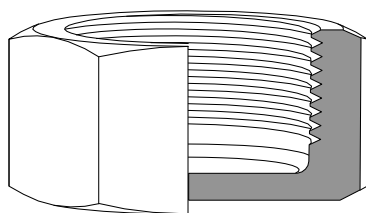
Material Grade: 316

| SIZE | 100 mm | 150 mm |
|------|--------|--------|
| 6mm | 10.00 | 12.00 |
| 9mm | 10.00 | 12.00 |
| 12mm | 12.00 | 14.00 |
| 18mm | 14.00 | 16.00 |
| 25mm | 15.00 | 18.00 |
| 31mm | 18.00 | 22.00 |
| 38mm | 20.00 | 24.00 |
| 50mm | 25.00 | 30.00 |

Available in 100mm & 150mm lengths.

BSP HEX CAP

(BPCH)



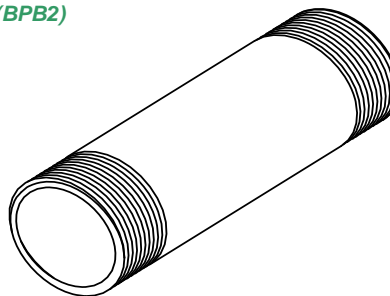
Material Grade: 316

| SIZE | PRICE |
|-------|-------|
| 3mm | 2.50 |
| 6mm | 2.50 |
| 9mm | 3.00 |
| 12mm | 4.00 |
| 18mm | 5.00 |
| 25mm | 8.00 |
| 31mm | 11.00 |
| 38mm | 14.00 |
| 50mm | 18.00 |
| 63mm | 23.00 |
| 76mm | 26.00 |
| 100mm | 38.00 |

BSP EXTENDED BARREL NIPPLE

(BPB1)

(BPB2)



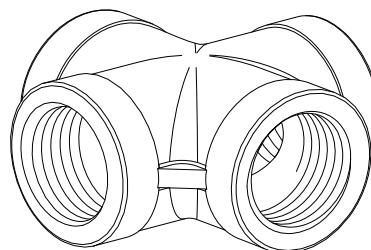
Material Grade: 316

| SIZE | 100 mm | 150 mm |
|------|--------|--------|
| 6mm | 12.00 | 14.00 |
| 9mm | 12.00 | 14.00 |
| 12mm | 14.50 | 16.50 |
| 18mm | 17.00 | 19.00 |
| 25mm | 18.00 | 21.00 |
| 31mm | 21.50 | 25.50 |
| 38mm | 24.00 | 28.00 |
| 50mm | 30.00 | 35.00 |

Available in 100mm & 150mm lengths.

BSP CROSS

(BPC)

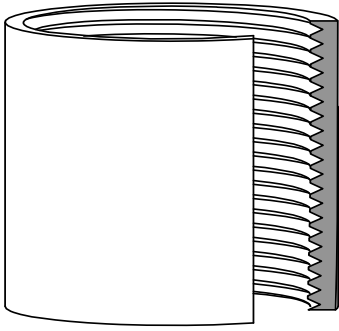


Material Grade: 316

| SIZE | PRICE |
|------|-------|
| 12mm | 7.00 |
| 18mm | 10.00 |
| 25mm | 16.00 |
| 31mm | 22.00 |
| 38mm | 30.00 |
| 50mm | 40.00 |

BSP SOCKET

(BPS)

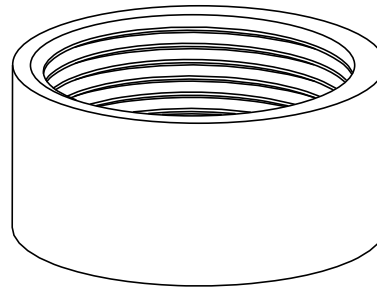


Material Grade: 316

| SIZE | PRICE |
|-------|--------|
| 3mm | 1.00 |
| 6mm | 1.10 |
| 9mm | 1.25 |
| 12mm | 2.00 |
| 18mm | 3.00 |
| 25mm | 4.00 |
| 31mm | 6.00 |
| 38mm | 7.00 |
| 50mm | 10.00 |
| 63mm | 15.00 |
| 76mm | 20.00 |
| 100mm | 35.00 |
| 125mm | 200.00 |
| 150mm | 270.00 |

BSP HALF SOCKET

(BPHS)

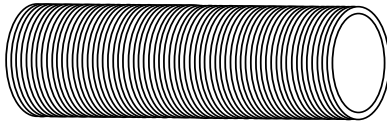


Material Grade: 316

| SIZE | PRICE |
|-------|--------|
| 6mm | 0.90 |
| 9mm | 1.00 |
| 12mm | 1.50 |
| 18mm | 2.50 |
| 25mm | 3.00 |
| 31mm | 5.00 |
| 38mm | 5.50 |
| 50mm | 8.00 |
| 63mm | 12.00 |
| 76mm | 16.00 |
| 100mm | 28.00 |
| 125mm | 160.00 |
| 150mm | 215.00 |

BSP PARALLEL THREAD 150mm LONG

(BP150)

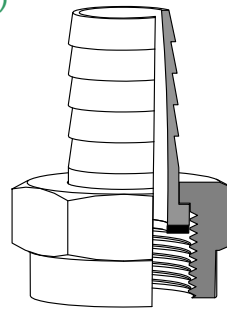


Material Grade: 316

| SIZE | PRICE |
|-------|-------|
| 6mm | 12.50 |
| 9mm | 14.00 |
| 12mm | 15.00 |
| 18mm | 20.00 |
| 25mm | 25.00 |
| 31mm | 28.00 |
| 38mm | 35.00 |
| 50mm | 40.00 |
| 63mm | 55.00 |
| 76mm | 60.00 |
| 100mm | 80.00 |

BSP FEMALE (swivel) HOSETAIL

(BPHFS)

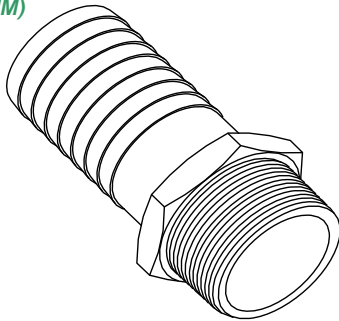


Material Grade: 316

| SIZE | PRICE |
|------|--------|
| 6mm | 14.00 |
| 9mm | 17.00 |
| 12mm | 23.00 |
| 18mm | 28.00 |
| 25mm | 35.00 |
| 31mm | 50.00 |
| 38mm | 65.00 |
| 50mm | 120.00 |

BSP HOSETAIL MALE

(BPHM)



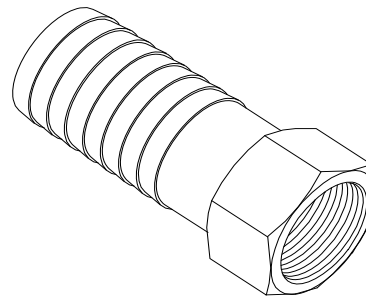
Material Grade: 316

| SIZE | Mach | Cast |
|-------|-------|-------|
| 6mm | 10.00 | 1.10 |
| 9mm | 11.00 | 1.60 |
| 12mm | 13.00 | 2.00 |
| 18mm | 16.00 | 3.50 |
| 25mm | 23.00 | 5.50 |
| 31mm | - | 8.00 |
| 38mm | - | 11.00 |
| 50mm | - | 16.00 |
| 63mm | - | 26.00 |
| 76mm | - | 37.00 |
| 100mm | - | 53.00 |

Reducing sizes only available in machined style

BSP FEMALE (FIXED) HOSETAIL

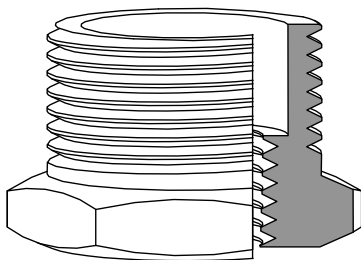
(BPHFF)



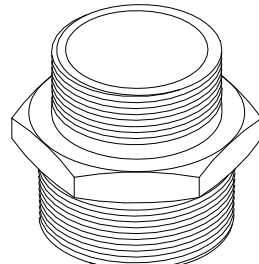
Material Grade: 316

| SIZE | PRICE |
|-------|--------|
| 38mm | 36.00 |
| 50mm | 44.00 |
| 63mm | 64.00 |
| 76mm | 76.00 |
| 100mm | 100.00 |

BSP REDUCING FITTINGS

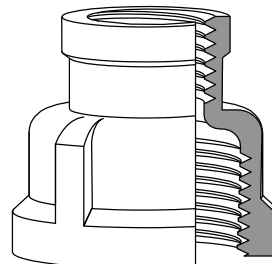


(BPRB)



Material Grade: 316

(BPRN)

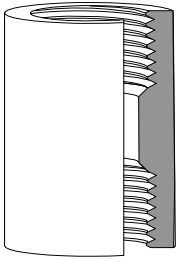


(BPRS)

| SIZE | Red Bush | Red Nipple | Red Socket |
|--------------|----------|------------|------------|
| 6>3 | 3.00 | 4.00 | 4.50 |
| 9>6,3 | 3.00 | 5.00 | 5.00 |
| 12>9,6,3 | 3.50 | 5.50 | 8.00 |
| 18>12,9,6 | 5.50 | 7.20 | 9.50 |
| 25>18,12 | 7.00 | 10.00 | 12.80 |
| 31>25 | 12.00 | 14.00 | 17.20 |
| 38>31,25 | 15.00 | 20.00 | 29.50 |
| 50>38>31>25 | 25.00 | 25.00 | 40.00 |
| 63>50 | 36.00 | 42.00 | 55.00 |
| 76>63,50 | 44.00 | 65.00 | 95.00 |
| 100>76,63,50 | 76.50 | 100.00 | 135.00 |

BSP 3000lb Full Coupling

0

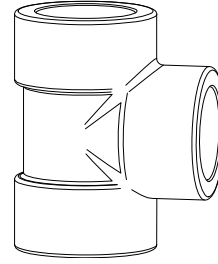


| SIZE | PRICE |
|------|-------|
| 12mm | |
| 18mm | |
| 25mm | |
| 31mm | |
| 38mm | |
| 50mm | |

Material Grade: 316

BSP 3000lb FEMALE TEE

0

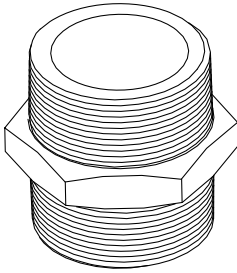


| SIZE | PRICE |
|------|-------|
| 12mm | |
| 18mm | |
| 25mm | |
| 31mm | |
| 38mm | |
| 50mm | |

Material Grade: 316

BSP 3000lb HEX NIPPLE

0

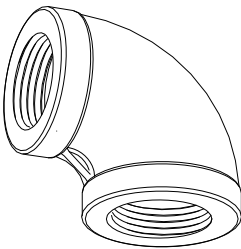


| SIZE | PRICE |
|------|-------|
| 12mm | |
| 18mm | |
| 25mm | |
| 31mm | |
| 38mm | |
| 50mm | |

Material Grade: 316

BSP 3000lb 90° F/F ELBOW

0

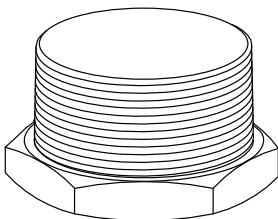


| |
|------|
| 12mm |
| 18mm |
| 25mm |
| 31mm |
| 38mm |
| 50mm |

Material Grade: 316

BSP 3000lb HEX PLUG

0

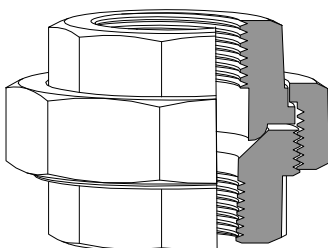


| SIZE | PRICE |
|------|-------|
| 12mm | |
| 18mm | |
| 25mm | |
| 31mm | |
| 38mm | |
| 50mm | |

Material Grade: 316

BSP 3000lb F/F UNION

0

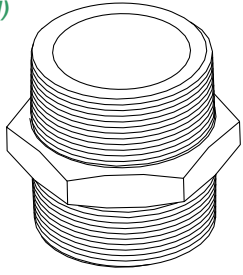


| SIZE | PRICE |
|------|-------|
| 12mm | |
| 18mm | |
| 25mm | |
| 31mm | |
| 38mm | |
| 50mm | |

Material Grade: 316

NPT HEX NIPPLE

(NPHN)

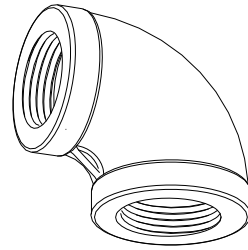


| SIZE | PRICE |
|------|--------|
| 6mm | 8.00 |
| 9mm | 11.00 |
| 12mm | 13.00 |
| 18mm | 18.00 |
| 25mm | 28.00 |
| 31mm | 48.00 |
| 38mm | 62.00 |
| 50mm | 120.00 |

Material Grade: 316

NPT 90° F/F ELBOW

(NPE)

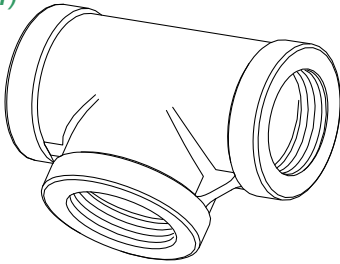


| SIZE | PRICE |
|------|--------|
| 6mm | 20.00 |
| 9mm | 20.00 |
| 12mm | 21.00 |
| 18mm | 37.00 |
| 25mm | 50.00 |
| 31mm | 78.00 |
| 38mm | 120.00 |
| 50mm | 160.00 |

Material Grade: 316

NPT FEMALE TEE

(NPT)

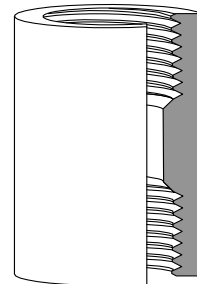


| SIZE | PRICE |
|------|--------|
| 6mm | 26.00 |
| 9mm | 26.00 |
| 12mm | 28.00 |
| 18mm | 55.00 |
| 25mm | 82.00 |
| 31mm | 150.00 |
| 38mm | 170.00 |
| 50mm | 222.00 |

Material Grade: 316

NPT FULL/HALF COUPLING

(NPFC)
(NPHC)

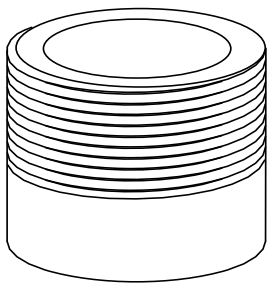


| SIZE | Full | Half |
|-------|-------|--------|
| 3mm | 4.00 | - |
| 6mm | 4.00 | 3.00 |
| 9mm | 5.00 | 4.00 |
| 12mm | 7.00 | 5.50 |
| 18mm | 9.00 | 7.00 |
| 25mm | 16.00 | 13.00 |
| 31mm | 30.00 | 24.00 |
| 38mm | 38.00 | 30.00 |
| 50mm | 52.00 | 42.00 |
| 63mm | 28.00 | 150 lb |
| 76mm | 40.00 | 150 lb |
| 100mm | 64.00 | 150 lb |

Material Grade: 316

NPT TOE NIPPLE

(NPNT)

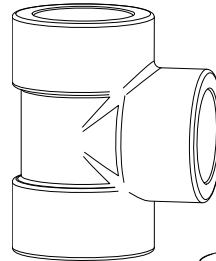


| SIZE | Wall | PRICE |
|-------|-------|--------|
| 6mm | Sch80 | 10.00 |
| 9mm | Sch80 | 10.00 |
| 12mm | Sch80 | 12.00 |
| 18mm | Sch80 | 14.00 |
| 25mm | Sch80 | 16.00 |
| 31mm | Sch80 | 20.00 |
| 38mm | Sch80 | 22.00 |
| 50mm | Sch80 | 28.00 |
| 63mm | Sch40 | 34.00 |
| 76mm | Sch40 | 38.00 |
| 100mm | Sch40 | 55.00 |
| 150mm | Sch40 | 160.00 |

Material Grade: 316

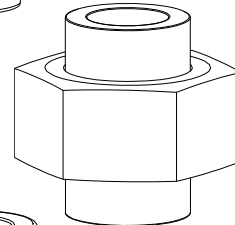
SOCKET WELD FITTINGS

EQUAL TEES



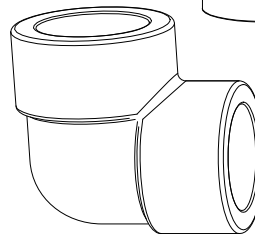
| SIZE (SWT) | PRICE |
|------------|--------|
| 12mm | 21.00 |
| 18mm | 27.00 |
| 25mm | 39.00 |
| 31mm | 80.00 |
| 38mm | 105.00 |
| 50mm | 150.00 |

90° ELBOWS



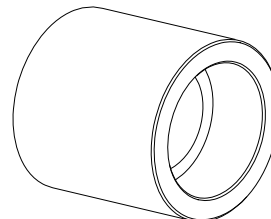
| SIZE (SWE) | PRICE |
|------------|--------|
| 12mm | 16.00 |
| 18mm | 21.00 |
| 25mm | 28.00 |
| 31mm | 60.00 |
| 38mm | 80.00 |
| 50mm | 120.00 |

UNIONS



| SIZE (SWU) | PRICE |
|------------|--------|
| 12mm | 35.00 |
| 18mm | 43.00 |
| 25mm | 72.00 |
| 31mm | 105.00 |
| 38mm | 135.00 |
| 50mm | 190.00 |

COUPLINGS

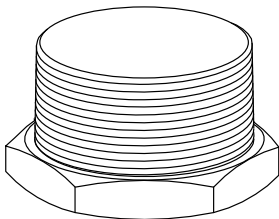


| SIZE (SWC) | PRICE |
|------------|-------|
| 12mm | 11.00 |
| 18mm | 16.00 |
| 25mm | 21.00 |
| 31mm | 40.00 |
| 38mm | 52.00 |
| 50mm | 75.00 |

Material: 316 SS

NPT HEX PLUG

(NPP)

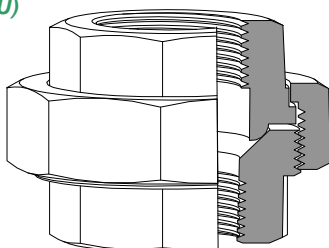


| SIZE | PRICE |
|------|-------|
| 6mm | 5.00 |
| 9mm | 6.00 |
| 12mm | 8.00 |
| 18mm | 15.00 |
| 25mm | 20.00 |
| 31mm | 35.00 |
| 38mm | 40.00 |
| 50mm | 60.00 |

Material Grade: 316

NPT UNION

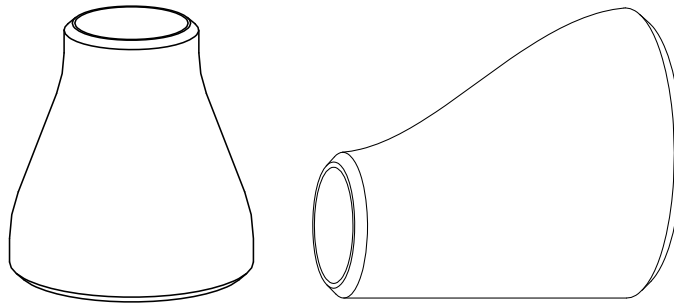
(NPU)



| SIZE | PRICE |
|------|--------|
| 6mm | 31.00 |
| 9mm | 31.00 |
| 12mm | 31.00 |
| 18mm | 36.00 |
| 25mm | 54.00 |
| 31mm | 125.00 |
| 38mm | 150.00 |
| 50mm | 218.00 |

Material Grade: 316

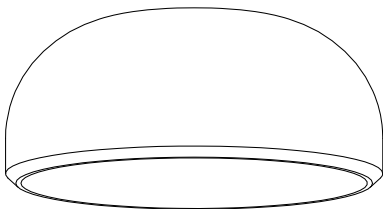
PIPE CONCENTRIC & ECCENTRIC REDUCERS B/W 316



| SIZE | Sch 10 316 CONC | Sch 40 316 CONC | Sch 10 316 ECC | Sch 40 316 ECC |
|-----------|--------------------|--------------------|-------------------|-------------------|
| 18>12mm | 3.00 | 3.50 | 3.50 | 4.50 |
| 25>12mm | 5.00 | 6.00 | 6.00 | 7.00 |
| 25>18mm | 5.00 | 6.00 | 6.00 | 7.00 |
| 31>25mm | 6.00 | 7.00 | 7.50 | 8.00 |
| 38>25mm | 8.00 | 10.00 | 10.00 | 12.00 |
| 38>31mm | 8.00 | 10.00 | 10.00 | 12.00 |
| 50>25mm | 12.00 | 15.00 | 16.00 | 18.00 |
| 50>31mm | 12.00 | 15.00 | 16.00 | 18.00 |
| 50>38mm | 10.00 | 13.00 | 13.00 | 15.00 |
| 63>38mm | 16.00 | 24.00 | 20.00 | 28.00 |
| 63>50mm | 15.00 | 23.00 | 19.00 | 27.00 |
| 76>50mm | 19.00 | 31.00 | 23.00 | 33.00 |
| 76>63mm | 18.00 | 29.00 | 21.00 | 31.00 |
| 100>50mm | 29.00 | 55.00 | 36.00 | 60.00 |
| 100>63mm | 27.00 | 50.00 | 33.00 | 55.00 |
| 100>76mm | 25.00 | 45.00 | 30.00 | 50.00 |
| 125>76mm | 47.00 | 82.00 | 56.00 | 85.00 |
| 125>100mm | 43.00 | 76.00 | 50.00 | 79.00 |
| 150>76mm | 63.00 | 122.00 | 76.00 | 140.00 |
| 150>100mm | 61.00 | 117.00 | 72.00 | 130.00 |
| 150>125mm | 59.00 | 112.00 | 68.00 | 120.00 |
| 200>100mm | 105.00 | 210.00 | 130.00 | 250.00 |
| 200>125mm | 100.00 | 200.00 | 115.00 | 230.00 |
| 200>150mm | 95.00 | 190.00 | 100.00 | 210.00 |
| 250>150mm | POA | POA | POA | POA |
| 250>200mm | POA | POA | POA | POA |
| 300>200mm | POA | POA | POA | POA |
| 300>250mm | POA | POA | POA | POA |
| | (10RC) | (40RC) | (10RE) | (40RE) |

PIPE END CAPS B/W 316

(10EC)
(40EC)

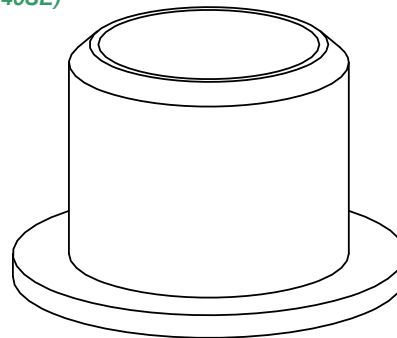


| SIZE | Sch10 | Sch40 |
|-------|--------|--------|
| 12mm | 5.00 | 6.00 |
| 18mm | 5.50 | 6.50 |
| 25mm | 6.00 | 8.00 |
| 31mm | 7.00 | 9.00 |
| 38mm | 8.50 | 11.00 |
| 50mm | 11.00 | 14.00 |
| 63mm | 14.00 | 20.00 |
| 76mm | 20.00 | 34.00 |
| 100mm | 30.00 | 50.00 |
| 125mm | 60.00 | 90.00 |
| 150mm | 80.00 | 120.00 |
| 200mm | 115.00 | 200.00 |
| 250mm | POA | POA |
| 300mm | POA | POA |

PIPE STUB END B/W 316

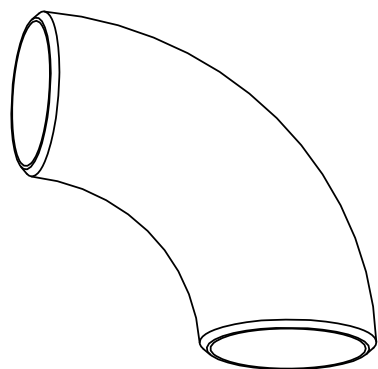
(10SE)
(40SE)

TYPE B



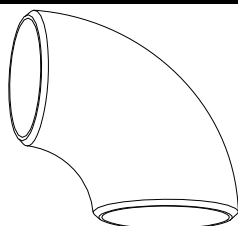
| SIZE | Sch10 | Sch40 |
|-------|--------|--------|
| 12mm | 12.00 | 15.00 |
| 18mm | 13.00 | 16.00 |
| 25mm | 15.00 | 18.00 |
| 31mm | 17.00 | 20.00 |
| 38mm | 23.00 | 26.00 |
| 50mm | 30.00 | 34.00 |
| 63mm | 38.00 | 55.00 |
| 76mm | 60.00 | 70.00 |
| 100mm | 68.00 | 110.00 |
| 125mm | 100.00 | 140.00 |
| 150mm | 130.00 | 212.00 |
| 200mm | 236.00 | 370.00 |
| 250mm | POA | POA |
| 300mm | POA | POA |

PIPE ELBOWS 90° BUTT WELD



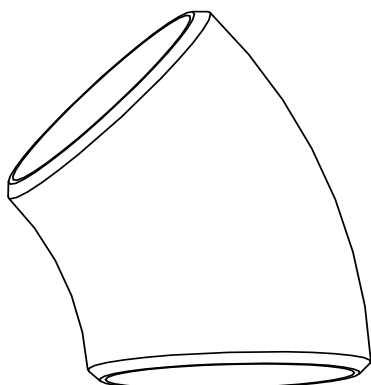
| SIZE | SCH 10 316 | SCH 40 316 | SCH 10 304 | SCH 40 304 |
|-------|------------|------------|------------|------------|
| 12mm | 4.00 | 4.50 | - | - |
| 18mm | 5.00 | 5.50 | - | - |
| 25mm | 6.00 | 7.00 | 5.00 | 6.00 |
| 31mm | 9.00 | 12.00 | 8.00 | 10.50 |
| 38mm | 11.00 | 14.00 | 9.50 | 12.00 |
| 50mm | 16.00 | 19.00 | 13.50 | 16.00 |
| 63mm | 22.00 | 36.00 | 19.00 | 31.00 |
| 76mm | 28.00 | 48.00 | 24.00 | 41.00 |
| 100mm | 48.00 | 88.00 | 41.00 | 75.00 |
| 125mm | 95.00 | 175.00 | 81.00 | 148.00 |
| 150mm | 120.00 | 265.00 | 102.00 | 225.00 |
| 200mm | 320.00 | 790.00 | 225.00 | 560.00 |
| 250mm | POA | POA | POA | POA |
| 300mm | POA | POA | POA | POA |
| | (10E6) | (40E6) | (10E4) | (40E4) |

SHORT RADIUS PIPE ELBOWS 90° BUTT WELD



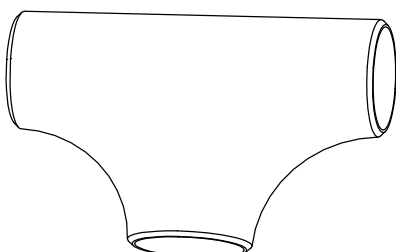
| SIZE | SCH 10 316 | SCH 40 316 |
|-------|------------|------------|
| 25mm | 8.00 | 9.00 |
| 31mm | 10.00 | 13.00 |
| 38mm | 12.00 | 15.00 |
| 50mm | 17.00 | 20.00 |
| 63mm | 23.00 | 37.00 |
| 76mm | 30.00 | 50.00 |
| 100mm | 48.00 | 88.00 |
| 125mm | 95.00 | 175.00 |
| 150mm | 120.00 | 265.00 |
| | (10E6SR) | (40E6SR) |

PIPE ELBOWS 45° BUTT WELD



| SIZE | SCH 10 316 | SCH 40 316 |
|-------|------------|------------|
| 12mm | POA | POA |
| 18mm | POA | POA |
| 25mm | 5.00 | 6.00 |
| 31mm | 7.50 | 10.00 |
| 38mm | 9.00 | 11.50 |
| 50mm | 13.00 | 15.50 |
| 63mm | 18.00 | 29.00 |
| 76mm | 23.00 | 39.00 |
| 100mm | 39.00 | 71.00 |
| 125mm | 76.00 | 140.00 |
| 150mm | 96.00 | 212.00 |
| 200mm | 256.00 | 632.00 |
| 250mm | POA | POA |
| 300mm | POA | POA |
| | (10E45) | (40E45) |

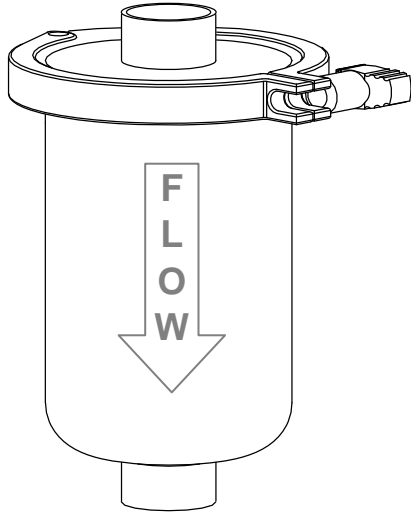
PIPE EQUAL TEES BUTT WELD



| SIZE | SCH 10 316 | SCH 40 316 | SCH 10 304 | SCH 40 304 |
|-------|------------|------------|------------|------------|
| 12mm | 5.00 | 8.00 | - | - |
| 18mm | 5.50 | 8.50 | - | - |
| 25mm | 8.00 | 11.00 | 7.50 | 10.50 |
| 31mm | 11.00 | 16.00 | 10.50 | 15.50 |
| 38mm | 14.50 | 22.00 | 14.00 | 19.00 |
| 50mm | 21.00 | 26.00 | 18.00 | 22.50 |
| 63mm | 32.00 | 66.00 | 30.00 | 42.50 |
| 76mm | 41.00 | 82.00 | 34.00 | 62.00 |
| 100mm | 62.00 | 144.00 | 54.00 | 89.00 |
| 125mm | 152.00 | 188.00 | 98.00 | 162.00 |
| 150mm | 140.00 | 282.00 | 124.00 | 248.00 |
| 200mm | 360.00 | 840.00 | 240.00 | 660.00 |
| 250mm | POA | POA | POA | POA |
| 300mm | POA | POA | POA | POA |
| | (10T6) | (40T6) | (10T4) | (40T4) |

GEORDI CONCENTRIC INLINE STRAINER

(STC)
(STCF)



c/w PERF SHEET Basket

| SIZE | PRICE |
|-------|---------|
| 12mm | 545.00 |
| 18mm | 545.00 |
| 25mm | 545.00 |
| 38mm | 545.00 |
| 50mm | 665.00 |
| 63mm | 825.00 |
| 76mm | 920.00 |
| 100mm | 1200.00 |
| 125mm | 1500.00 |
| 150mm | 1500.00 |
| 200mm | 2060.00 |

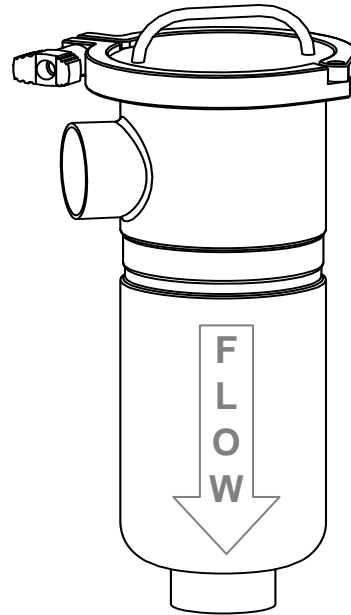
Inc FINE MESH Basket

| SIZE | PRICE |
|-------|---------|
| 12mm | 680.00 |
| 18mm | 680.00 |
| 25mm | 680.00 |
| 38mm | 680.00 |
| 50mm | 830.00 |
| 63mm | 1030.00 |
| 76mm | 1240.00 |
| 100mm | 1620.00 |
| 125mm | 2050.00 |
| 150mm | 2050.00 |
| 200mm | 2900.00 |

***ALL STRAINERS NOW COME WITH BUTT WELD ENDS AS STANDARD**

GEORDI RIGHT ANGLE STRAINER

(STR)
(STRF)



c/w PERF SHEET Basket

| SIZE | PRICE |
|-------|---------|
| 12mm | 600.00 |
| 18mm | 600.00 |
| 25mm | 600.00 |
| 38mm | 640.00 |
| 50mm | 725.00 |
| 63mm | 885.00 |
| 76mm | 950.00 |
| 100mm | 1330.00 |
| 125mm | 2060.00 |
| 150mm | 2060.00 |

Inc FINE MESH Basket

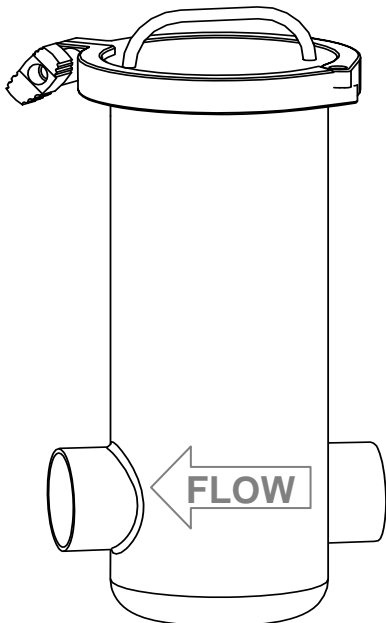
| SIZE | PRICE |
|-------|---------|
| 12mm | 760.00 |
| 18mm | 760.00 |
| 25mm | 760.00 |
| 38mm | 800.00 |
| 50mm | 910.00 |
| 63mm | 1110.00 |
| 76mm | 1280.00 |
| 100mm | 1795.00 |
| 125mm | 2820.00 |
| 150mm | 2820.00 |

***ALL STRAINERS NOW COME WITH BUTT WELD ENDS AS STANDARD**

Flow directions for all strainers are opposite if wedgewire baskets are required.

GEORDI "T" TYPE STRAINER

(STT)
(STTF)



c/w PERF SHEET Basket

| SIZE | PRICE |
|-------|---------|
| 12mm | 915.00 |
| 18mm | 915.00 |
| 25mm | 915.00 |
| 38mm | 990.00 |
| 50mm | 1140.00 |
| 63mm | 1320.00 |
| 76mm | 1450.00 |
| 100mm | 1980.00 |
| 125mm | 2640.00 |
| 150mm | 2640.00 |
| 200mm | 3600.00 |

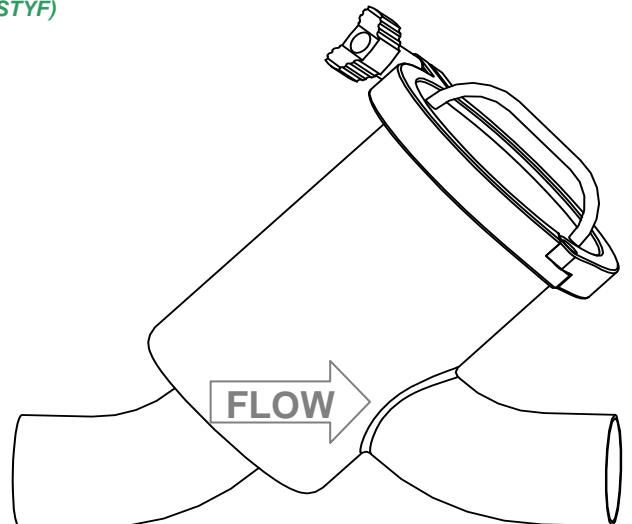
Inc FINE MESH Basket

| SIZE | PRICE |
|-------|---------|
| 12mm | 1140.00 |
| 18mm | 1140.00 |
| 25mm | 1140.00 |
| 38mm | 1235.00 |
| 50mm | 1425.00 |
| 63mm | 1650.00 |
| 76mm | 1960.00 |
| 100mm | 2675.00 |
| 125mm | 3600.00 |
| 150mm | 3600.00 |
| 200mm | 5000.00 |

***ALL STRAINERS NOW COME WITH BUTT WELD ENDS AS STANDARD**

GEORDI "Y" TYPE STRAINER

(STY)
(STYF)



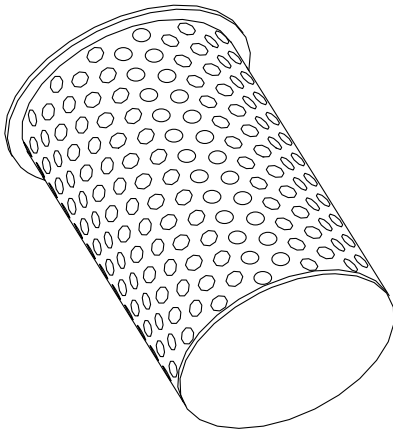
c/w Perf Sheet Basket

| SIZE | PRICE |
|-------|---------|
| 25mm | 460.00 |
| 38mm | 510.00 |
| 50mm | 610.00 |
| 63mm | 795.00 |
| 76mm | 880.00 |
| 100mm | 1200.00 |
| 125mm | 1720.00 |
| 150mm | 1720.00 |
| 200mm | 2400.00 |

Inc Fine Mesh Basket

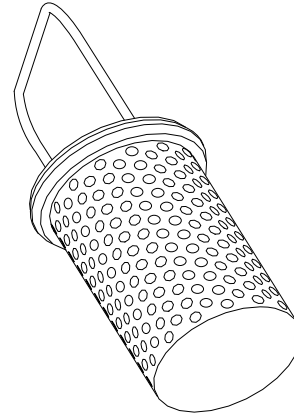
| SIZE | PRICE |
|-------|---------|
| 25mm | 590.00 |
| 38mm | 655.00 |
| 50mm | 785.00 |
| 63mm | 1030.00 |
| 76mm | 1145.00 |
| 100mm | 1685.00 |
| 125mm | 2400.00 |
| 150mm | 2400.00 |
| 200mm | 3370.00 |

SPARE FILTER BASKET FOR INLINE STRAINER



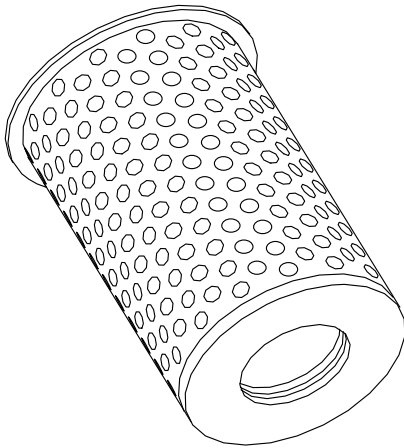
| SIZE | PERF | FINE |
|-------|---------|---------|
| 12mm | 330.00 | 585.00 |
| 18mm | 330.00 | 585.00 |
| 25mm | 330.00 | 585.00 |
| 38mm | 330.00 | 655.00 |
| 50mm | 330.00 | 655.00 |
| 63mm | 480.00 | 795.00 |
| 76mm | 480.00 | 795.00 |
| 100mm | 580.00 | 825.00 |
| 125mm | 785.00 | 990.00 |
| 150mm | 785.00 | 990.00 |
| 200mm | 1100.00 | 1460.00 |
| | (ST1) | (ST1F) |

SPARE FILTER BASKET FOR RIGHT ANG STRAINER



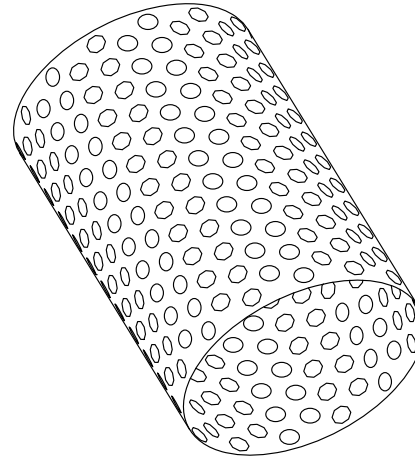
| SIZE | PERF | FINE |
|-------|--------|--------|
| 12mm | 330.00 | 660.00 |
| 18mm | 330.00 | 660.00 |
| 25mm | 330.00 | 660.00 |
| 38mm | 330.00 | 660.00 |
| 50mm | 395.00 | 725.00 |
| 63mm | 395.00 | 725.00 |
| 76mm | 480.00 | 795.00 |
| 100mm | 580.00 | 825.00 |
| 125mm | 785.00 | 990.00 |
| 150mm | 785.00 | 990.00 |
| | (ST3) | (ST3F) |

SPARE FILTER BASKET FOR T TYPE STRAINER



| SIZE | PERF | FINE |
|-------|---------|---------|
| 12mm | 330.00 | 655.00 |
| 18mm | 330.00 | 655.00 |
| 25mm | 330.00 | 655.00 |
| 38mm | 330.00 | 655.00 |
| 50mm | 395.00 | 725.00 |
| 63mm | 480.00 | 795.00 |
| 76mm | 480.00 | 795.00 |
| 100mm | 580.00 | 825.00 |
| 125mm | 785.00 | 990.00 |
| 150mm | 785.00 | 990.00 |
| 200mm | 1100.00 | 1460.00 |
| | (ST2) | (ST2F) |

SPARE FILTER BASKET FOR Y TYPE STRAINER



| SIZE | PERF | FINE |
|-------|--------|---------|
| 25mm | 135.00 | 450.00 |
| 38mm | 135.00 | 450.00 |
| 50mm | 170.00 | 480.00 |
| 63mm | 200.00 | 590.00 |
| 76mm | 200.00 | 590.00 |
| 100mm | 330.00 | 825.00 |
| 125mm | 430.00 | 990.00 |
| 150mm | 430.00 | 990.00 |
| 200mm | 500.00 | 1460.00 |
| | (ST4) | (ST4F) |

***EX STOCK STRAINERS SUPPLIED WITH 1.6mm DIAM HOLE PERFORATED BASKETS**
***PERFORATED BASKET STRAINERS CAN BE SUPPLIED WITH 0.5mm - 15mm HOLE FILTERS**
***FINE MESH STRAINERS CAN BE SUPPLIED WITH 38micron - 415micron FILTERS**
***5micron - 25micron STRAINERS REQUIRE HOLLANDER WEAVE MESH - POA**

WEDGE WIRE BASKETS ARE AVAILABLE ON REQUEST

Full Body Water Jacket (nett prices)

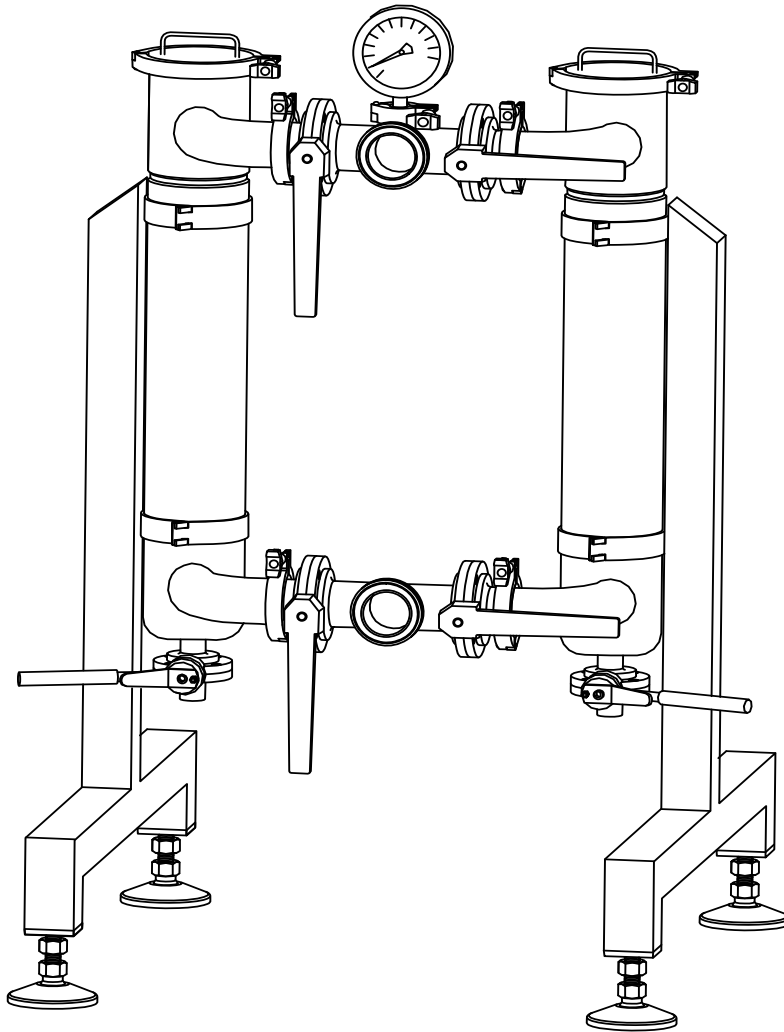
| | Y Type | Right Angle | T Type | Inline |
|-----------|---------|-------------|---------|--------|
| 12-76mm | 1820.00 | 1050.00 | 1050.00 | 550.00 |
| 100mm | 2280.00 | 1305.00 | 1305.00 | 690.00 |
| 125-200mm | 2925.00 | 1685.00 | 1685.00 | 900.00 |

Half Body Water Jacket (nett prices)

| | Y Type | Right Angle | T Type |
|-----------|---------|-------------|--------|
| 12-76mm | 1000.00 | 550.00 | 550.00 |
| 100mm | 1230.00 | 690.00 | 690.00 |
| 125-200mm | 1575.00 | 900.00 | 900.00 |

GEORDI DUPLEX STRAINERS

(STD)
(STDF)



c/w PERF Sheet Basket

| SIZE | PRICE |
|-------|----------|
| 25mm | 4070.00 |
| 38mm | 4180.00 |
| 50mm | 4840.00 |
| 63mm | 5500.00 |
| 76mm | 6050.00 |
| 100mm | 6600.00 |
| 150mm | 11000.00 |

Inc Fine Mesh Basket

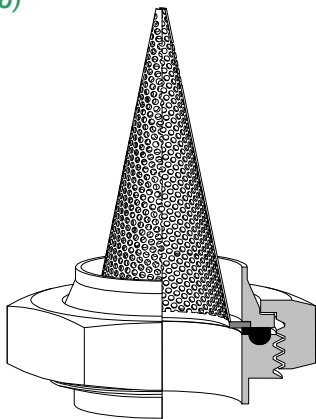
| SIZE | PRICE |
|-------|----------|
| 25mm | 5090.00 |
| 38mm | 5225.00 |
| 50mm | 6050.00 |
| 63mm | 6875.00 |
| 76mm | 8170.00 |
| 100mm | 8910.00 |
| 150mm | 14850.00 |

***NOTE: Budget prices only.**

Available with 1 (std) or 2 pressure gauges. Also available with optional draining valves.

GEORDI UNION STRAINER

(STU)



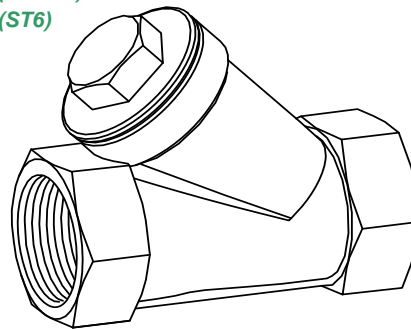
| SIZE | PRICE |
|-------|--------|
| 50mm | 145.00 |
| 63mm | 150.00 |
| 76mm | 160.00 |
| 100mm | 195.00 |
| 125mm | 385.00 |
| 150mm | 385.00 |
| 200mm | 605.00 |

SPARE PERF BASKET

| SIZE | (ST5) | PRICE |
|-------|-------|--------|
| 50mm | | 120.00 |
| 63mm | | 130.00 |
| 76mm | | 130.00 |
| 100mm | | 145.00 |
| 125mm | | 285.00 |
| 150mm | | 285.00 |
| 200mm | | 375.00 |

BSP "Y" STRAINER

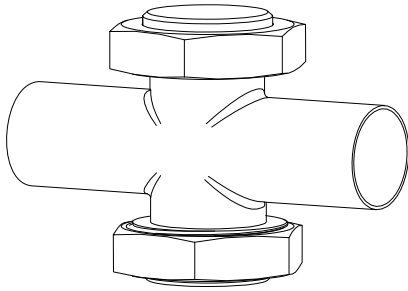
(STBPY)
(ST6)



| SIZE | PRICE |
|------|--------|
| 12mm | 30.00 |
| 18mm | 47.00 |
| 25mm | 56.00 |
| 31mm | 75.00 |
| 38mm | 85.00 |
| 50mm | 128.00 |

GEORDI BULLSEYE SIGHT GLASS c/w POLYCARBONATE LENS

(SGB)

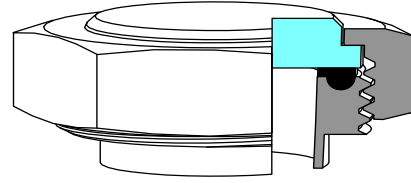


| SIZE | PRICE |
|-------|--------|
| 25mm | 124.00 |
| 38mm | 139.00 |
| 50mm | 161.00 |
| 63mm | 205.00 |
| 76mm | 238.00 |
| 100mm | 303.00 |
| 125mm | 621.00 |
| 150mm | 661.00 |

125mm & 150mm have 100mm viewing outlets

GEORDI PORTHOLE SIGHT GLASS c/w POLYCARBONATE LENS

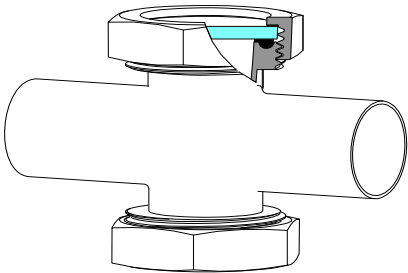
(SGP)



| SIZE | PRICE |
|-------|--------|
| 25mm | 35.50 |
| 38mm | 39.00 |
| 50mm | 43.50 |
| 63mm | 51.00 |
| 76mm | 57.00 |
| 100mm | 66.50 |
| 125mm | 145.50 |
| 150mm | 150.50 |

GEORDI BULLSEYE SIGHT GLASS C/W ARMOUR PLATE LENS

(SGBA)
(SGBAH)

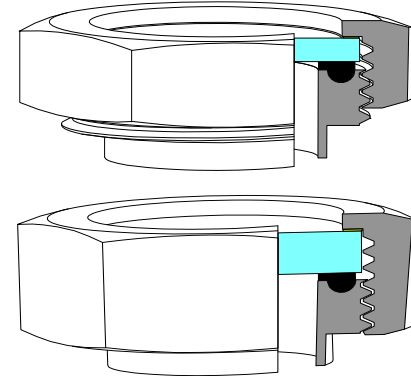


| SIZE | STD | H/Duty |
|-------|--------|---------|
| 25mm | 212.00 | 294.00 |
| 38mm | 229.00 | 313.00 |
| 50mm | 251.00 | 348.00 |
| 63mm | 287.00 | 389.00 |
| 76mm | 324.00 | 458.00 |
| 100mm | 387.00 | 558.00 |
| 125mm | 701.00 | 1041.00 |
| 150mm | 781.00 | 1131.00 |

125mm & 150mm have 100mm viewing outlets

GEORDI PORTHOLE SIGHT GLASS c/w ARMOUR PLATE LENS

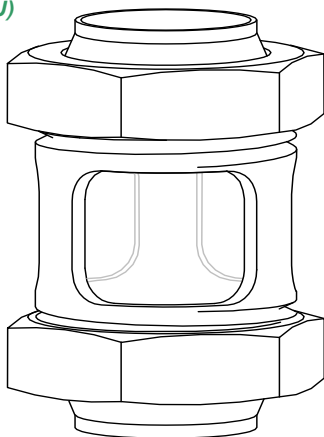
(SGPA) (SGPAH)



| SIZE | STD | H/Duty |
|-------|--------|--------|
| 25mm | 79.50 | 120.50 |
| 38mm | 84.00 | 126.00 |
| 50mm | 88.50 | 137.00 |
| 63mm | 92.00 | 143.00 |
| 76mm | 100.00 | 167.00 |
| 100mm | 108.50 | 194.00 |
| 125mm | 185.50 | 355.50 |
| 150mm | 210.50 | 385.50 |

GEORDI UNION TYPE SIGHT GLASS

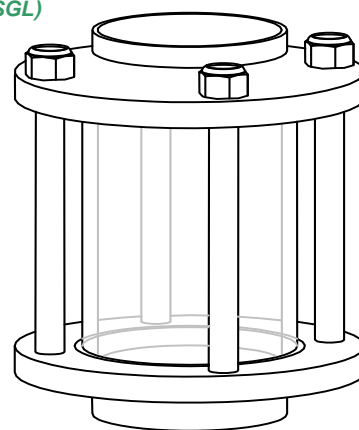
(SGU)



| SIZE | PRICE |
|-------|--------|
| 25mm | 265.00 |
| 38mm | 295.00 |
| 50mm | 325.00 |
| 76mm | 375.00 |
| 100mm | 445.00 |

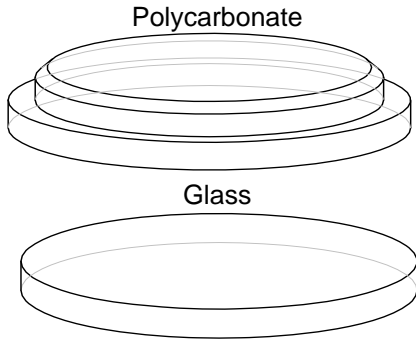
GEORDI LANTERN TYPE SIGHT GLASS

(SGL)



| SIZE | PRICE |
|-------|---------|
| 25mm | 315.00 |
| 38mm | 350.00 |
| 50mm | 365.00 |
| 63mm | 435.00 |
| 76mm | 465.00 |
| 100mm | 560.00 |
| 150mm | 1175.00 |

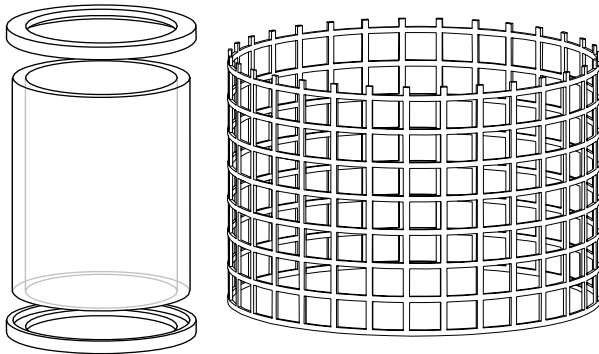
BULLSEYE / PORTHOLE SPARE LENS



| SIZE | POLY-CARBONATE | STD ARMOUR PLATE GLASS | H/DTY ARMOUR PLATE GLASS |
|-------|----------------|------------------------|--------------------------|
| 25mm | 30.00 | 65.00 | 90.00 |
| 38mm | 30.00 | 65.00 | 90.00 |
| 50mm | 35.00 | 65.00 | 90.00 |
| 63mm | 38.00 | 65.00 | 90.00 |
| 76mm | 40.00 | 65.00 | 100.00 |
| 100mm | 45.00 | 65.00 | 110.00 |
| 125mm | 90.00 | 100.00 | 150.00 |
| 150mm | 90.00 | 120.00 | 175.00 |
| | (SG1) | (SG2) | (SG3) |

* std Armour Plate Lens: 6mm Thick H/Duty: 12mm Thick

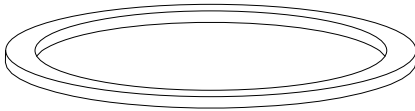
UNION/LANTERN SPARE PARTS



| SIZE | GLASS | POLY-CARBONATE | EPDM SET | TEFLON SET | SQR PERF PROTECTOR |
|-------|--------|----------------|----------|------------|--------------------|
| 25mm | 45.00 | 30.00 | 26.00 | 46.00 | 52.00 |
| 38mm | 50.00 | 30.00 | 30.00 | 56.00 | 52.00 |
| 50mm | 55.00 | 35.00 | 30.00 | 56.00 | 52.00 |
| 63mm | 61.00 | 40.00 | 35.00 | 76.00 | 65.00 |
| 76mm | 75.00 | 40.00 | 35.00 | 76.00 | 65.00 |
| 100mm | 95.00 | 50.00 | 40.00 | 105.00 | 65.00 |
| 150mm | 165.00 | - | 60.00 | 180.00 | 100.00 |
| | (SG4) | (SG5) | (SG6) | (SG7) | (SG10) |

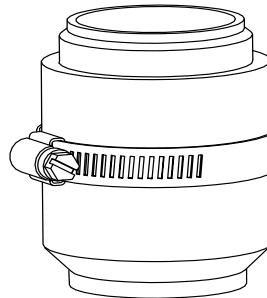
ANTI-SHELL RINGS

(SG8) (SG9)



| SIZE | HD PE | TEFLON |
|-------|-------|--------|
| 25mm | 4.00 | 5.00 |
| 38mm | 5.00 | 6.50 |
| 50mm | 5.00 | 6.50 |
| 63mm | 6.00 | 7.50 |
| 76mm | 8.00 | 10.00 |
| 100mm | 10.00 | 12.50 |
| 125mm | 15.00 | 19.00 |
| 150mm | 20.00 | 25.00 |

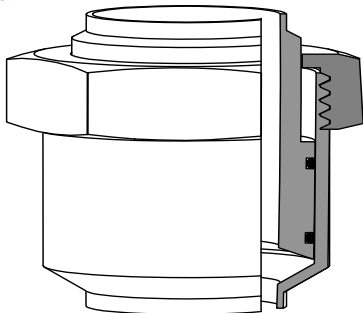
GEORDI INDUSTRIAL SWING JOINT



| SIZE | PRICE | SEAL KIT |
|-------|---------|----------|
| 25mm | 265.00 | 30.00 |
| 38mm | 315.00 | 30.00 |
| 50mm | 340.00 | 30.00 |
| 63mm | 420.00 | 35.00 |
| 76mm | 435.00 | 35.00 |
| 100mm | 505.00 | 35.00 |
| 150mm | 1200.00 | 40.00 |
| | (SJI) | (SJS) |

GEORDI SHORT EXPANSION JOINT

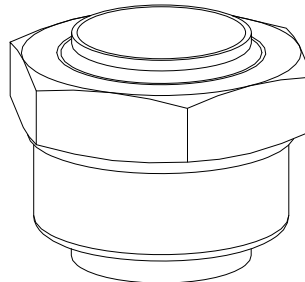
(EJ)



| SIZE | PRICE |
|-------|---------|
| 25mm | 475.00 |
| 38mm | 485.00 |
| 50mm | 665.00 |
| 63mm | 735.00 |
| 76mm | 885.00 |
| 100mm | 1175.00 |

GEORDI HYGIENIC SWING JOINT

(SJH) (SJHS)

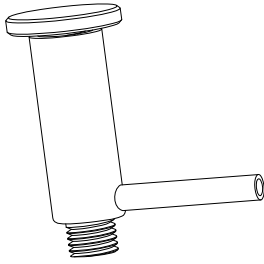


| SIZE | PRICE | SEAL KIT |
|-------|---------|----------|
| 25mm | 350.00 | 50.00 |
| 38mm | 410.00 | 60.00 |
| 50mm | 445.00 | 70.00 |
| 63mm | 480.00 | 75.00 |
| 76mm | 520.00 | 80.00 |
| 100mm | 665.00 | 85.00 |
| 150mm | 1395.00 | 130.00 |

*150mm uses Round / Slotted Nut

GEORDI BSP MALE SAMPLE VALVE

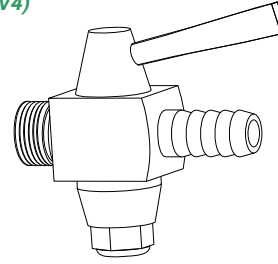
(SV1)



| SIZE | PRICE |
|------|--------|
| 9mm | 135.00 |

BSP SAMPLE VALVE C/W HTAIL

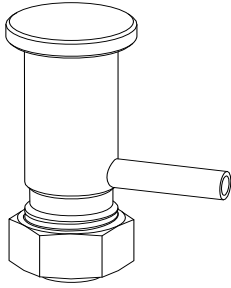
(SV4)



| SIZE | PRICE |
|------|--------|
| 6mm | 176.00 |
| 9mm | 176.00 |
| 12mm | 207.00 |

GEORDI HYG MALE SAMPLE VALVE

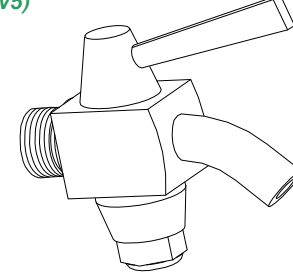
(SV2)



| SIZE | PRICE |
|------|--------|
| 18mm | 170.00 |

BSP SAMPLE VALVE C/W BEND

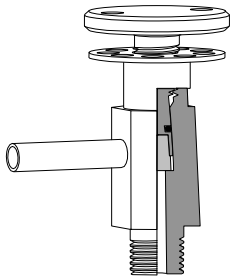
(SV5)



| SIZE | PRICE |
|------|--------|
| 6mm | 176.00 |
| 9mm | 176.00 |
| 12mm | 207.00 |

GEORDI BSP LOCKABLE SAMPLE VALVE

(SV3)



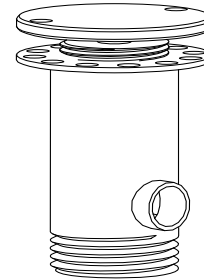
| SIZE | PRICE |
|------|-------|
| 12mm | 70.00 |

Spare PTFE Bush & O-Ring
(SV7)

| PRICE | |
|-------|--|
| 6.00 | |

GEORDI F/FACE LOCKABLE SAMPLE VALVE

(SV6)



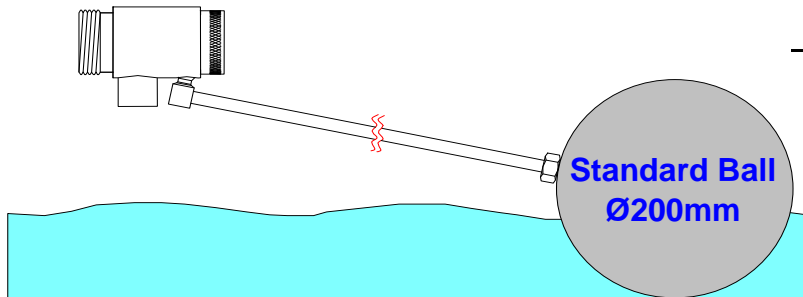
| SIZE | PRICE |
|------|--------|
| 25mm | 198.00 |

Spare PTFE Bush & O-Ring
(SV8)

| PRICE | |
|-------|--|
| 12.00 | |

GEORDI HYGIENIC FLOAT VALVE

(FV) (FVB)

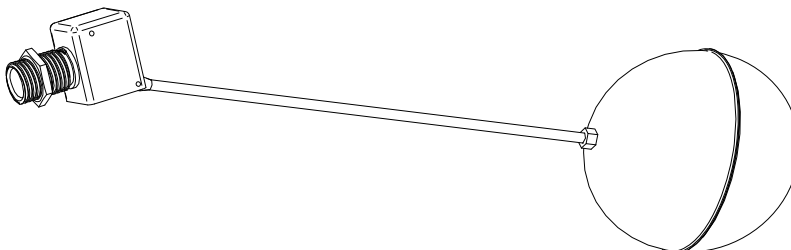


| COMPLETE VALVE | | SPARE BALLS | |
|----------------|--------|-------------|--------|
| SIZE | PRICE | SIZE | PRICE |
| 25mm | 635.00 | 76mm | 90.00 |
| | | 100mm | 105.00 |
| | | 125mm | 115.00 |
| | | 150mm | 155.00 |
| | | 200mm | 180.00 |
| | | 250mm | 240.00 |

BSP INDUSTRIAL FLOAT VALVES

(FVBSP)

(FVBSPB)



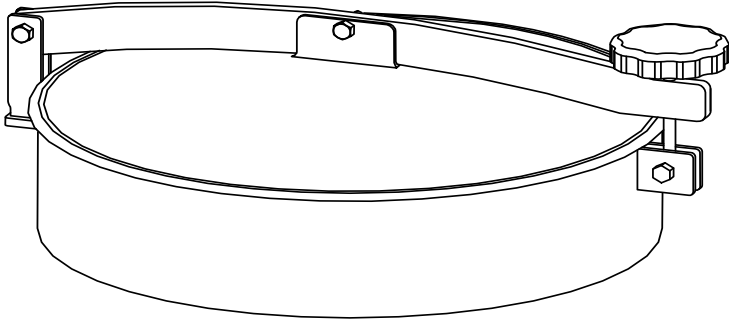
| SIZE | PRICE |
|------|--------|
| 12mm | 150.00 |
| 18mm | 210.00 |
| 25mm | 220.00 |

SPARE BALLS

| SIZE | DIAM | PRICE |
|------|-------|-------|
| 12mm | 110mm | 48.00 |
| 18mm | 160mm | 96.00 |
| 25mm | 160mm | 96.00 |

STAINLESS STEEL MANHOLES

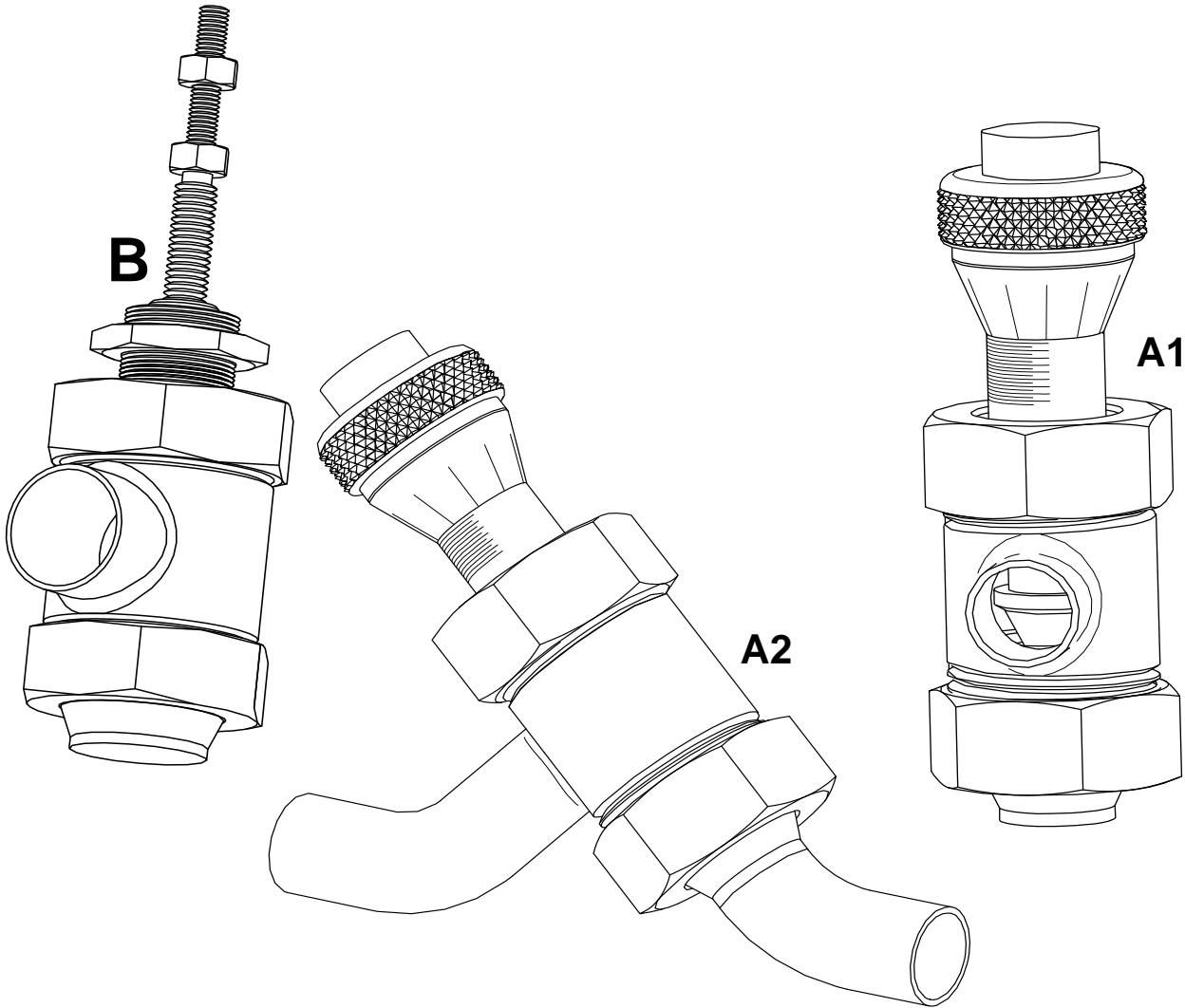
(MH)



Check with Geordi for pricing & availability once you decide on the following parameters:

- Material Grade (304 or 316)
- Size
- Shape (Round/Rectangle/Oval)
- Pressure Rating
- Seal Material
- Top or Side entry
- Outward or Inward opening

GEORDI FLOW CONTROL VALVES

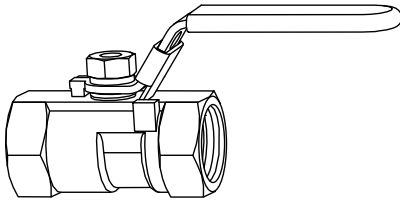


**FULLY AUTOMATIC MODULATING VALVE -
PRICE ON APPLICATION**

| SIZE | MANUAL (A1) | MANUAL (A2) | FOR AUTO (B) |
|-------|-------------|-------------|--------------|
| 25mm | 1160.00 | 1225.00 | 1085.00 |
| 38mm | 1160.00 | 1225.00 | 1085.00 |
| 50mm | 1230.00 | 1325.00 | 1155.00 |
| 63mm | 1600.00 | 1735.00 | 1530.00 |
| 76mm | 2250.00 | 2395.00 | 2090.00 |
| 100mm | 3540.00 | 3760.00 | 3225.00 |
| | (FCV1) | (FCV2) | (FCV3) |

BSP 1pce RED BORE BALL VALVE

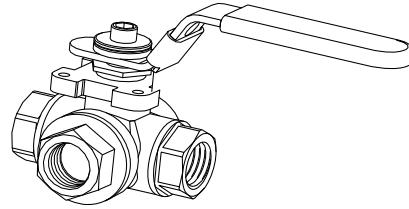
(BV1)



| SIZE | PRICE |
|------|-------|
| 6mm | 12.00 |
| 9mm | 13.00 |
| 12mm | 16.00 |
| 18mm | 21.00 |
| 25mm | 31.00 |
| 31mm | 43.00 |
| 38mm | 51.00 |
| 50mm | 73.00 |

BSP 3 WAY BALL VALVE

(BV3W)

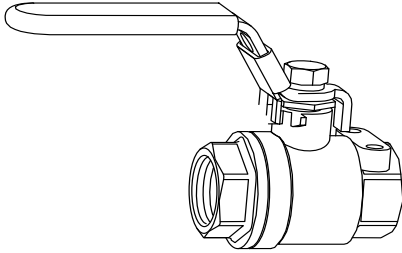


| SIZE | PRICE |
|------|--------|
| 12mm | 94.00 |
| 18mm | 112.50 |
| 25mm | 160.00 |
| 31mm | 197.00 |
| 38mm | 262.50 |
| 50mm | 375.00 |

Available in 'L' port & 'T' port.

BSP 2pce FULL BORE BALL VALVE

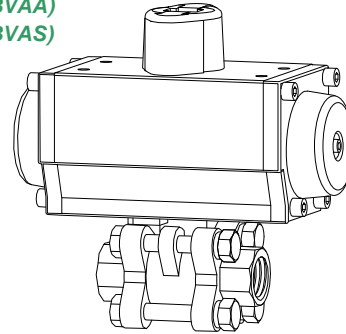
(BV2)



| SIZE | PRICE |
|-------|--------|
| 6mm | 18.00 |
| 9mm | 20.00 |
| 12mm | 24.00 |
| 18mm | 30.00 |
| 25mm | 40.00 |
| 31mm | 57.00 |
| 38mm | 88.00 |
| 50mm | 128.00 |
| 63mm | 195.00 |
| 76mm | 285.00 |
| 100mm | 690.00 |

BSP 3pce BALL VALVE c/w ACTUATOR

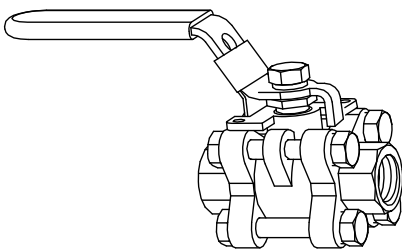
(BVAA)
(BVAS)



| SIZE | AIR/ AIR | AIR/ SPRG |
|-------|-------------|--------------|
| 6mm | 270 | 300 |
| 9mm | 270 | 300 |
| 12mm | 270 | 300 |
| 18mm | 280 | 310 |
| 25mm | 300 | 335 |
| 31mm | 410 | 450 |
| 38mm | 470 | 500 |
| 50mm | 560 | 610 |
| 63mm | 930 | 1115 |
| 76mm | 1170 | 1490 |
| 100mm | 1470 | 1865 |

BSP 3pce FULL BORE BALL VALVE

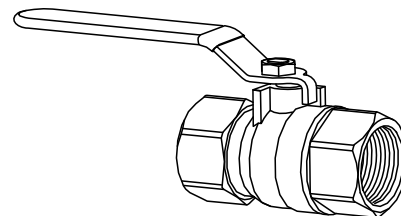
(BV3)



| SIZE | PRICE |
|-------|--------|
| 6mm | 27.00 |
| 9mm | 30.00 |
| 12mm | 34.00 |
| 18mm | 46.00 |
| 25mm | 56.00 |
| 31mm | 90.00 |
| 38mm | 120.00 |
| 50mm | 172.00 |
| 63mm | 260.00 |
| 76mm | 370.00 |
| 100mm | 665.00 |

BSP BRASS BALL VALVE

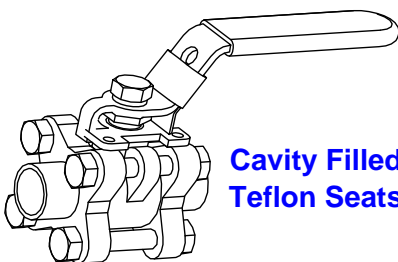
(BVB)



| SIZE | PRICE |
|------|-------|
| 6mm | 8.00 |
| 9mm | 8.00 |
| 12mm | 8.00 |
| 18mm | 12.00 |
| 25mm | 16.00 |
| 31mm | 24.00 |
| 38mm | 35.00 |
| 50mm | 55.00 |

B/W 3pce FULL BORE BALL VALVE

(BVBW)

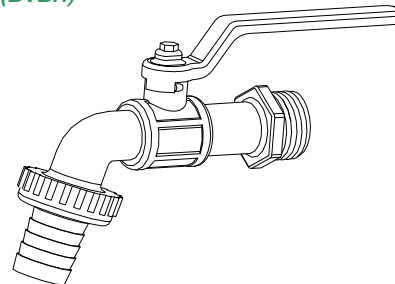


Cavity Filled
Teflon Seats

| SIZE | PRICE |
|-------|--------|
| 12mm | 65.00 |
| 18mm | 85.00 |
| 25mm | 105.00 |
| 38mm | 180.00 |
| 50mm | 250.00 |
| 63mm | 360.00 |
| 76mm | 650.00 |
| 100mm | 840.00 |

BSP BRASS HOSE BALL TAP

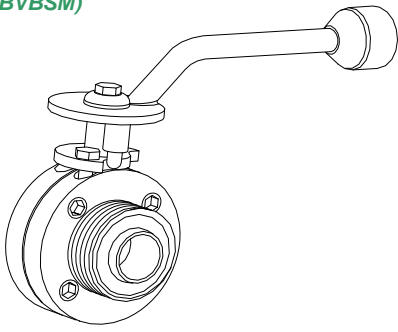
(BVBH)



| SIZE | PRICE |
|------|-------|
| 12mm | 16.00 |
| 18mm | 23.00 |
| 25mm | 39.00 |

BSM FULL BORE BALL VALVE

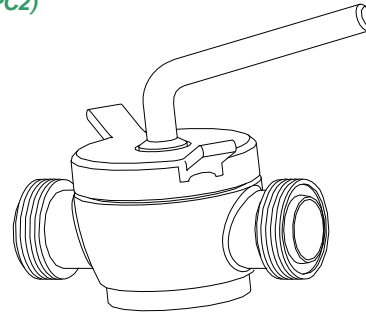
(BVBSM)



| SIZE | PRICE |
|-------|-------|
| 25mm | POA |
| 38mm | POA |
| 50mm | POA |
| 63mm | POA |
| 76mm | POA |
| 100mm | POA |

2 WAY M/M PLUG COCK

(PC2)

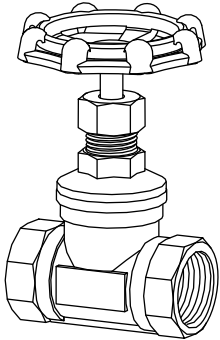


| SIZE | PRICE |
|-------|---------|
| 25mm | 760.00 |
| 38mm | 1170.00 |
| 50mm | 1500.00 |
| 63mm | 2550.00 |
| 76mm | 3900.00 |
| 100mm | 6300.00 |

Note: Ends are standard BSM

BSP GLOBE VALVE

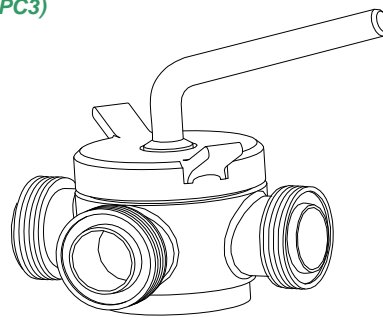
(GLV)



| SIZE | PRICE |
|------|--------|
| 12mm | 47.00 |
| 18mm | 56.00 |
| 25mm | 66.00 |
| 31mm | 116.00 |
| 38mm | 131.00 |
| 50mm | 150.00 |

3 WAY M/M/M PLUG COCK

(PC3)

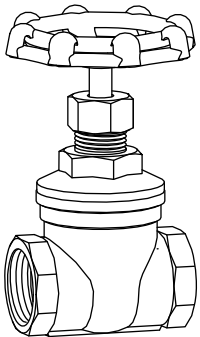


| SIZE | PRICE |
|-------|---------|
| 25mm | 760.00 |
| 38mm | 1170.00 |
| 50mm | 1500.00 |
| 63mm | 2550.00 |
| 76mm | 3900.00 |
| 100mm | 6300.00 |

Note: Ends are standard BSM

BSP GATE VALVE

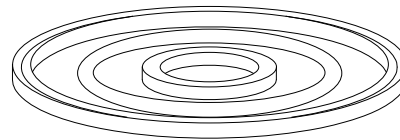
(GAV)



| SIZE | PRICE |
|------|--------|
| 12mm | 47.00 |
| 18mm | 56.00 |
| 25mm | 75.00 |
| 31mm | 103.00 |
| 38mm | 131.00 |
| 50mm | 150.00 |

PLUG COCK SEAL KIT

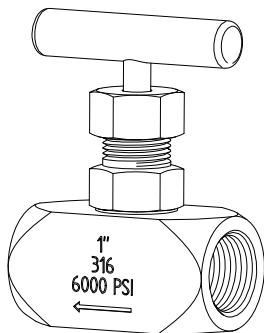
(PCSK)



| SIZE | PRICE |
|-------|--------|
| 25mm | 30.00 |
| 38mm | 42.00 |
| 50mm | 50.00 |
| 63mm | 75.00 |
| 76mm | 110.00 |
| 100mm | 115.00 |

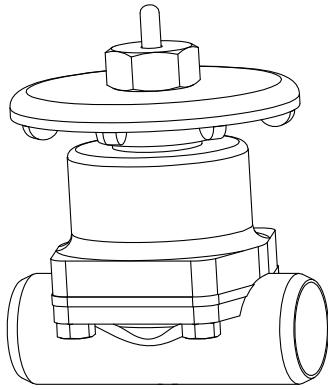
BSP NEEDLE VALVES

(NV)



| SIZE | PRICE |
|------|--------|
| 12mm | 170.00 |
| 18mm | 255.00 |
| 25mm | 467.00 |

GEORDI FULL FLOW DIAPHRAGM VALVE P/PLAIN

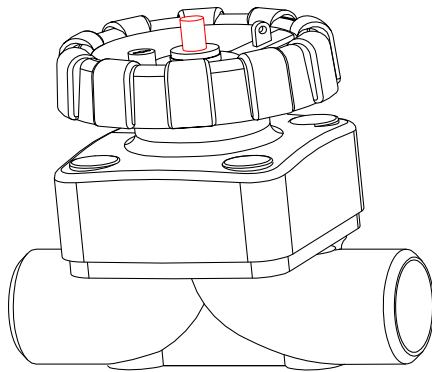


| SIZE | WINE FINISH | INSIDE POLISH | DIAPHRAGM (EPDM) | SPARE BONNET |
|-------|-------------|---------------|------------------|--------------|
| 25mm | 280.00 | 410.00 | 25.00 | 165.00 |
| 38mm | 280.00 | 410.00 | 25.00 | 165.00 |
| 50mm | 320.00 | 490.00 | 25.00 | 210.00 |
| 63mm | - | - | 34.00 | - |
| 76mm | 520.00 | 740.00 | 34.00 | 330.00 |
| 100mm | 760.00 | 980.00 | 42.00 | 430.00 |
| 150mm | 1950.00 | 2400.00 | 250.00 | 710.00 |
| | (DVP) | (DVPP) | (DVD) | (DVB) |

ACTUATED VALVES A/AIR

| | |
|-------|---------|
| 76mm | 750.00 |
| 100mm | 1045.00 |
| | (DVA) |

GEORDI WEIR TYPE DIAPHRAGM VALVE

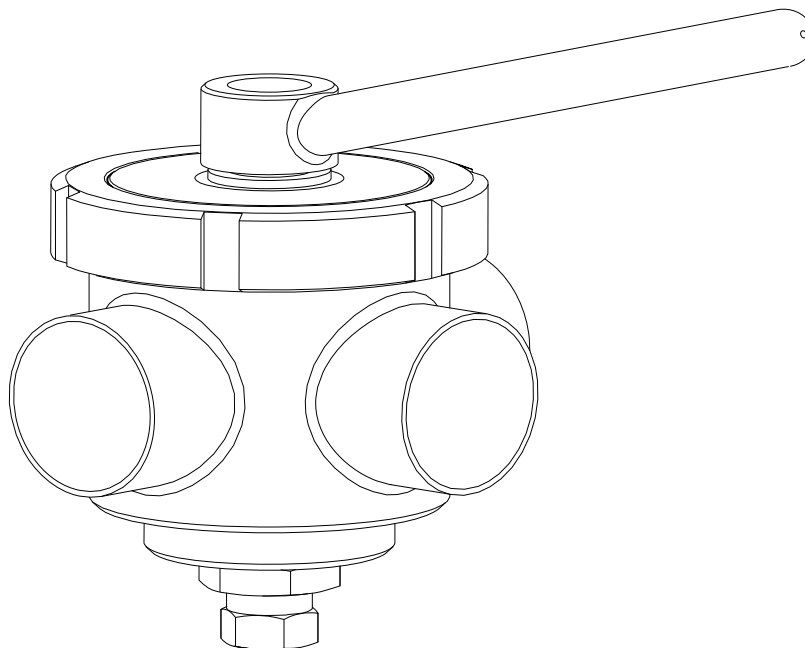


| SIZE | PLAIN | BSP F/FEMALE | DIAPHRAGM M14 EPDM |
|------|--------|--------------|--------------------|
| 12mm | - | POA | 40.00 |
| 18mm | POA | POA | 40.00 |
| 25mm | POA | POA | 40.00 |
| 38mm | POA | POA | 45.00 |
| 50mm | POA | POA | 50.00 |
| | (DVWP) | (DVWF) | (DVWD) |

*63mm, 76mm & 100mm POA

GEORDI 3 WAY ROTARY DIVERTING VALVE P/P/PLAIN

(RDV1)
(RDV2)
(RDV3)



| SIZE | PRICE |
|-------|---------|
| 25mm | 1365.00 |
| 38mm | 1390.00 |
| 50mm | 1425.00 |
| 63mm | 2420.00 |
| 76mm | 2480.00 |
| 100mm | 2540.00 |

ACTUATED VALVES

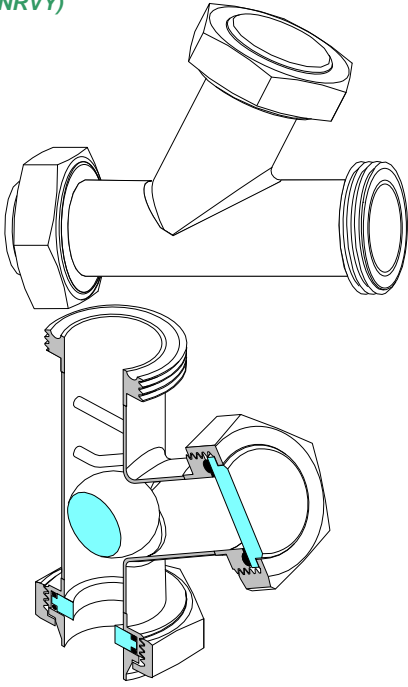
| | |
|-------|---------|
| 25mm | 1850.00 |
| 38mm | 1875.00 |
| 50mm | 1910.00 |
| 63mm | 3025.00 |
| 76mm | 3085.00 |
| 100mm | 3145.00 |

BLOCK & BLEED (Double seat)

| | |
|-------|---------|
| 25mm | 1665.00 |
| 38mm | 1695.00 |
| 50mm | 1725.00 |
| 63mm | 2785.00 |
| 76mm | 2845.00 |
| 100mm | 2905.00 |

GEORDI Y BALL NON RETURN VALVE

(NRVY)

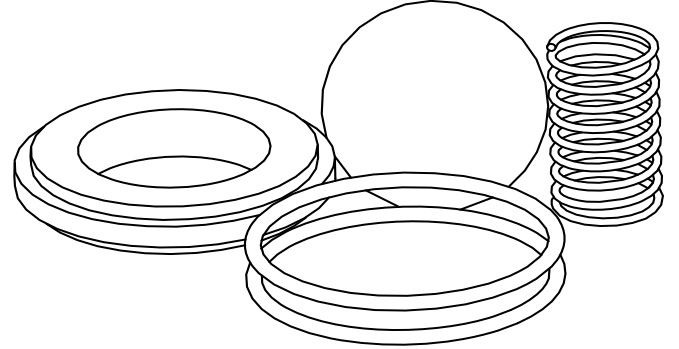


| SIZE | PRICE |
|-------|--------|
| 25mm | 360.00 |
| 38mm | 395.00 |
| 50mm | 450.00 |
| 63mm | 535.00 |
| 76mm | 675.00 |
| 100mm | 890.00 |

NON RETURN VALVE SPARES

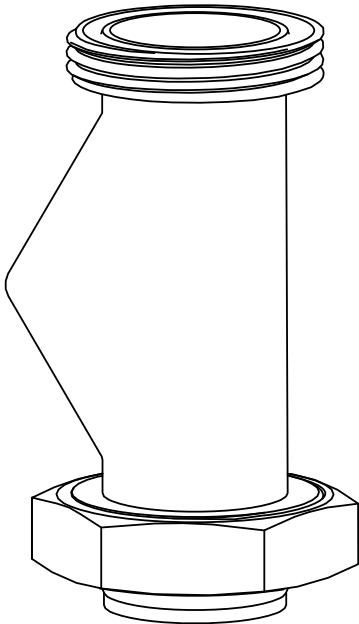
| SIZE | SEAT SET | SPRING | NYLON BALL | TEFLON BALL |
|-------|----------|--------|------------|-------------|
| 12mm | - | 15.00 | - | - |
| 18mm | - | 15.00 | - | - |
| 25mm | 35.00 | 15.00 | 20.00 | 40.00 |
| 38mm | 40.00 | 18.00 | 30.00 | 80.00 |
| 50mm | 45.00 | 22.00 | 40.00 | 130.00 |
| 63mm | 50.00 | 22.00 | 55.00 | 200.00 |
| 76mm | 70.00 | 25.00 | 80.00 | 300.00 |
| 100mm | 80.00 | 25.00 | 150.00 | 600.00 |
| 150mm | - | 40.00 | - | - |

(NRV1) (NRV2) (NRV3) (NRV4)



GEORDI INLINE BALL NON RETURN VALVE

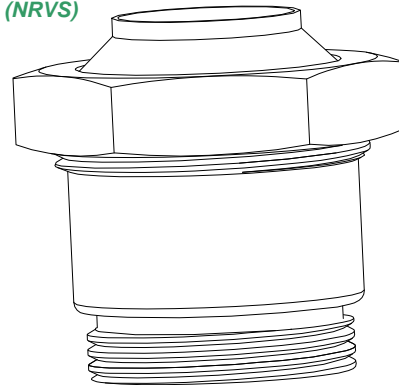
(NRVi)



| SIZE | PRICE |
|-------|--------|
| 25mm | 280.00 |
| 38mm | 305.00 |
| 50mm | 370.00 |
| 63mm | 425.00 |
| 76mm | 560.00 |
| 100mm | 705.00 |

GEORDI SPRING PLATE NON RETURN VALVE

(NRVS)

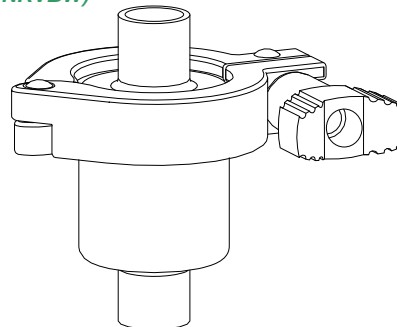


| SIZE | PRICE |
|-------|---------|
| 25mm | 390.00 |
| 38mm | 440.00 |
| 50mm | 480.00 |
| 63mm | 630.00 |
| 76mm | 910.00 |
| 100mm | 1280.00 |
| 150mm | 2300.00 |

Note: 150mm NRV - B/Weld Both Ends

GEORDI B/W SPRING NON RETURN VALVE

(NRVBW)

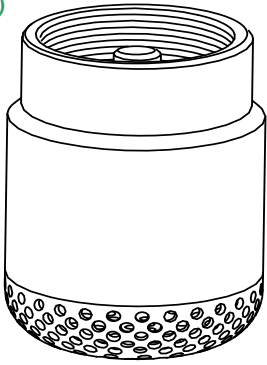


| SIZE | PRICE |
|------|--------|
| 12mm | 335.00 |
| 18mm | 335.00 |

*Ferrule ends available

GEORDI BSP FOOT VALVE

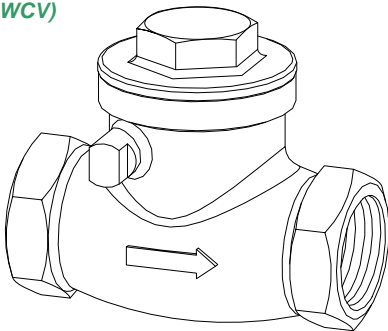
(BSPFV)



| SIZE | PRICE |
|-------|---------|
| 25mm | 385.00 |
| 38mm | 420.00 |
| 50mm | 540.00 |
| 63mm | 650.00 |
| 76mm | 840.00 |
| 100mm | 1230.00 |
| 125mm | 1900.00 |
| 150mm | 1900.00 |

BSP SWING CHECK VALVE

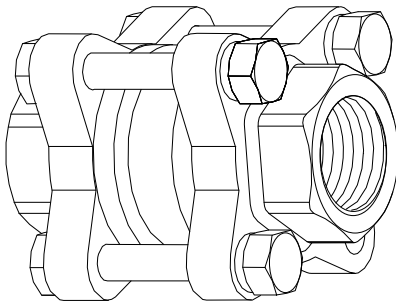
(SWCFV)



| SIZE | PRICE |
|------|--------|
| 12mm | 41.00 |
| 18mm | 47.00 |
| 25mm | 56.00 |
| 31mm | 94.00 |
| 38mm | 103.00 |
| 50mm | 122.00 |

BSP SPRING CHECK VALVE

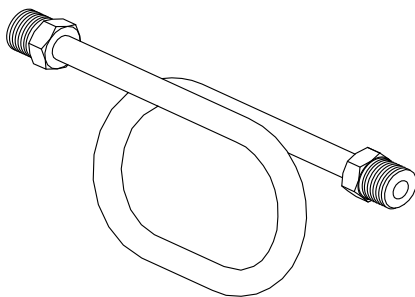
(SPCV)



| SIZE | PRICE |
|------|--------|
| 12mm | 49.00 |
| 18mm | 56.00 |
| 25mm | 75.00 |
| 31mm | 103.00 |
| 38mm | 131.00 |
| 50mm | 169.00 |

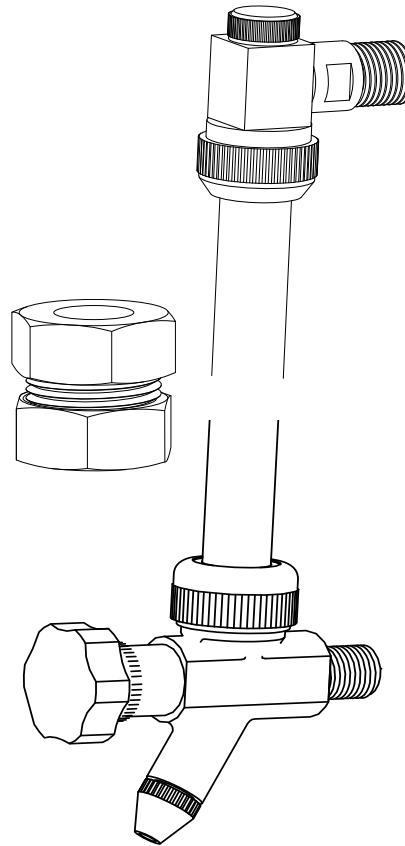
GEORDI BSP M/M PIGTAILS

(BPPT)



| SIZE | PRICE |
|------|--------|
| 6mm | 115.00 |
| 9mm | 115.00 |
| 12mm | 115.00 |

TANK SIGHT GLASS



UPPER LEVEL GAUGE

| SIZE | PRICE |
|------|--------|
| 12mm | 134.00 |

(SGT)

POLYCARBONATE TUBE TO SUIT

| SIZE | PRICE |
|---------|-----------|
| 22x19mm | 30.00/met |

(SGT1)

TANK SIGHT GLASS JOINER

| SIZE | PRICE |
|------|--------|
| 22mm | 180.00 |

(SGT2)

SAMPLE LEVEL COCK

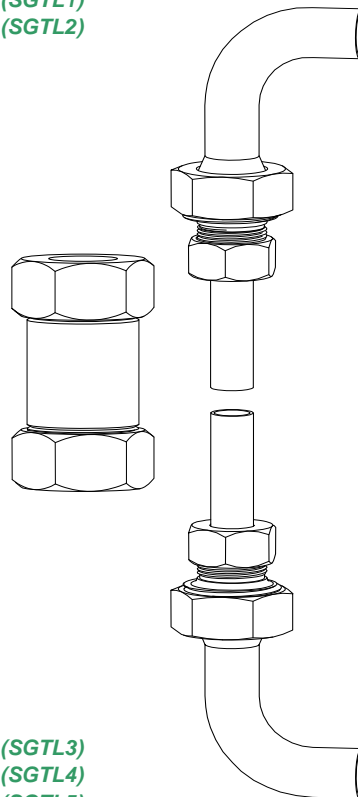
| SIZE | PRICE |
|------|--------|
| 12mm | 185.00 |

(SG3W)

GEORDI TANK LEVEL SIGHT GLASS

(SGTL1)

(SGTL2)



| STANDARD SECTION (under 3 meters) & 90° Bends | PRICE |
|---|--------|
| | 415.00 |

| EXTENDED SECTION (over 3 meters) & 90° Bends | PRICE |
|--|--------|
| | 625.00 |

SPARE PARTS

| | |
|--------------------------------|--------|
| Tank level SG End Connector | 175.00 |
|--------------------------------|--------|

| | |
|-------------------------|--------|
| Tank level SG Joiner | 140.00 |
|-------------------------|--------|

| | |
|---------------------------------|-----------|
| Polycarbonate Tube (19x16mm) | 25.00/Mtr |
|---------------------------------|-----------|

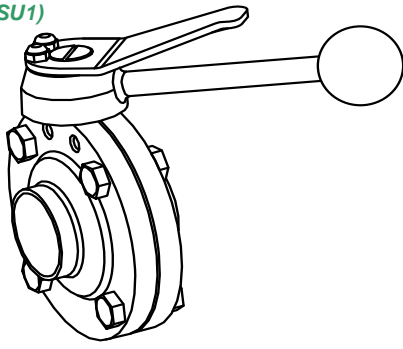
(SGTL3)

(SGTL4)

(SGTL5)

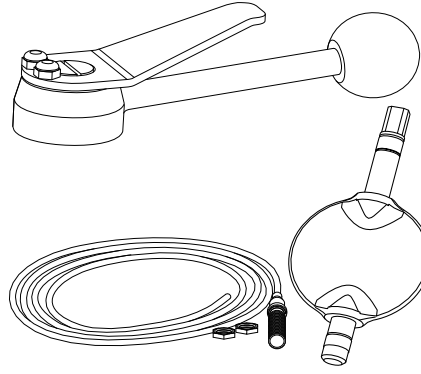
SUDMO B'FLY VALVE P/PLAIN

(SU1)



| SIZE | PRICE |
|-------|--------|
| 25mm | 260.00 |
| 38mm | 290.00 |
| 50mm | 305.00 |
| 63mm | 330.00 |
| 76mm | 485.00 |
| 100mm | 610.00 |

SUDMO SPARE PARTS



| SIZE | Flaps | Handle |
|-------|--------|--------|
| 25mm | 158.00 | 70.00 |
| 38mm | 178.00 | 70.00 |
| 50mm | 191.00 | 70.00 |
| 63mm | 224.00 | 70.00 |
| 76mm | 325.00 | 70.00 |
| 100mm | 390.00 | 70.00 |

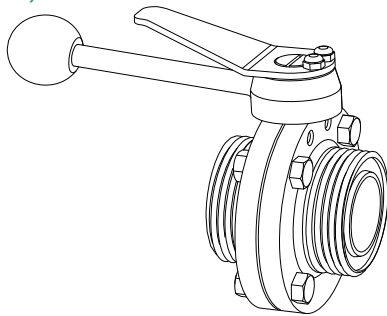
(SU5) (SU6)

1 PROX SWITCH C/W CABLE

175.00
(SU7)

SUDMO B'FLY VALVE M/MALE

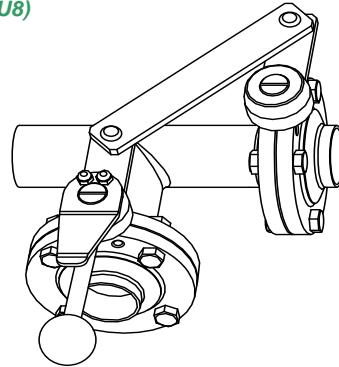
(SU2)



| SIZE | PRICE |
|-------|--------|
| 25mm | 334.00 |
| 38mm | 380.00 |
| 50mm | 400.00 |
| 63mm | 449.00 |
| 76mm | 611.00 |
| 100mm | 776.00 |

SUDMO LINKAGE VALVE P/P/P T1

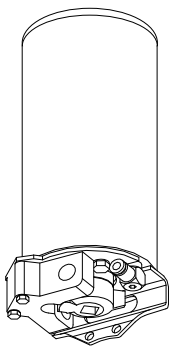
(SU8)



| SIZE | PRICE |
|-------|---------|
| 25mm | 1195.00 |
| 38mm | 1260.00 |
| 50mm | 1295.00 |
| 63mm | 1490.00 |
| 76mm | 1815.00 |
| 100mm | 2100.00 |

SUDMO VERTICAL ACTUATOR

(SU3)

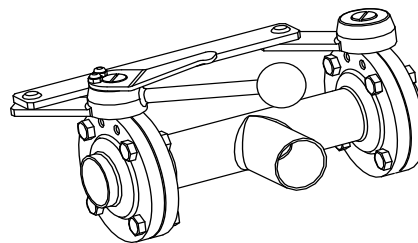


| SIZE | PRICE |
|-------|--------|
| 25mm | 600.00 |
| 38mm | 600.00 |
| 50mm | 600.00 |
| 63mm | 600.00 |
| 76mm | 600.00 |
| 100mm | 600.00 |

Air/Spring or Air/Air ACTUATOR

SUDMO LINKAGE VALVE P/P/P T2

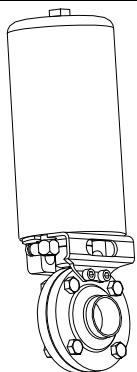
(SU9)



| SIZE | PRICE |
|-------|---------|
| 25mm | 1195.00 |
| 38mm | 1260.00 |
| 50mm | 1295.00 |
| 63mm | 1490.00 |
| 76mm | 1815.00 |
| 100mm | 2100.00 |

SUDMO AUTO B'FLY VALVE P/P

(SU4)

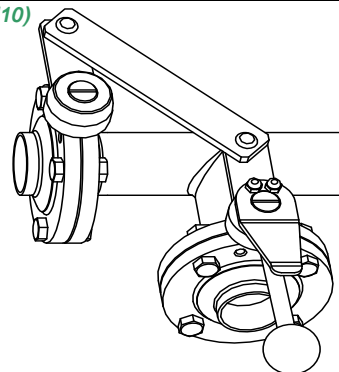


| SIZE | PRICE |
|-------|---------|
| 25mm | 815.00 |
| 38mm | 835.00 |
| 50mm | 850.00 |
| 63mm | 870.00 |
| 76mm | 1025.00 |
| 100mm | 1155.00 |

Air/Spring or Air/Air ACTUATOR

SUDMO LINKAGE VALVE P/P/P T3

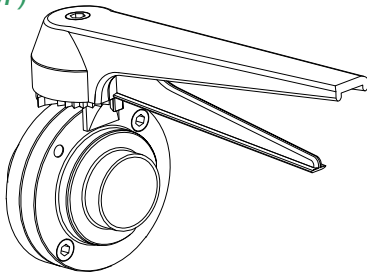
(SU10)



| SIZE | PRICE |
|-------|---------|
| 25mm | 1195.00 |
| 38mm | 1260.00 |
| 50mm | 1295.00 |
| 63mm | 1490.00 |
| 76mm | 1815.00 |
| 100mm | 2100.00 |

GEORDI B'FLY VALVE P/PLAIN

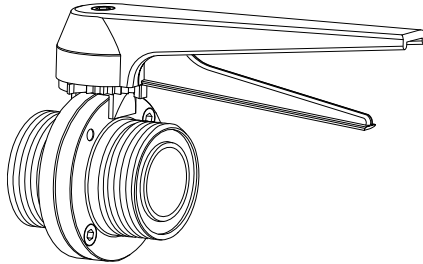
(GBVP)



| SIZE | PRICE |
|-------|---------|
| 12mm | 136.00 |
| 18mm | 136.00 |
| 25mm | 136.00 |
| 38mm | 140.00 |
| 50mm | 170.00 |
| 63mm | 190.00 |
| 76mm | 210.00 |
| 100mm | 260.00 |
| 150mm | 900.00 |
| 200mm | 1200.00 |

GEORDI B'FLY VALVE C/W BSM MALE ENDS

(GBVM)

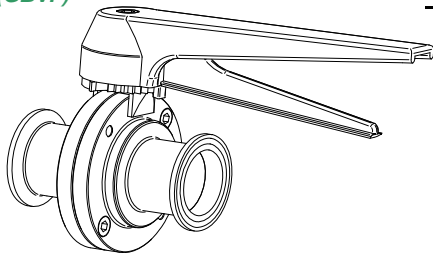


| SIZE | PRICE |
|-------|--------|
| 25mm | 200.00 |
| 38mm | 230.00 |
| 50mm | 270.00 |
| 63mm | 325.00 |
| 76mm | 370.00 |
| 100mm | 420.00 |

BSM ENDS

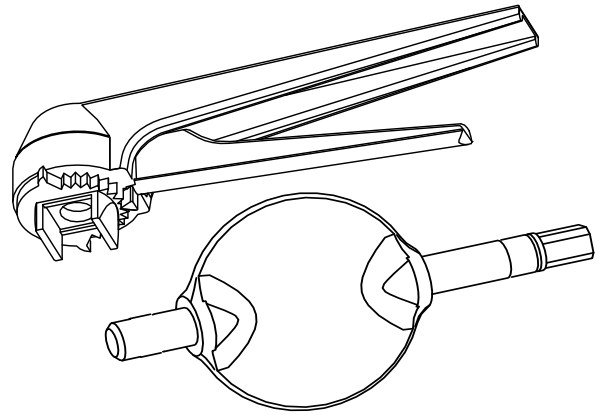
GEORDI B'FLY VALVE C/W FERRULE ENDS

(GBVF)



| SIZE | PRICE |
|-------|--------|
| 25mm | 227.00 |
| 38mm | 247.00 |
| 50mm | 279.00 |
| 63mm | 328.00 |
| 76mm | 354.00 |
| 100mm | 442.00 |

GEORDI B'FLY SPARE PARTS

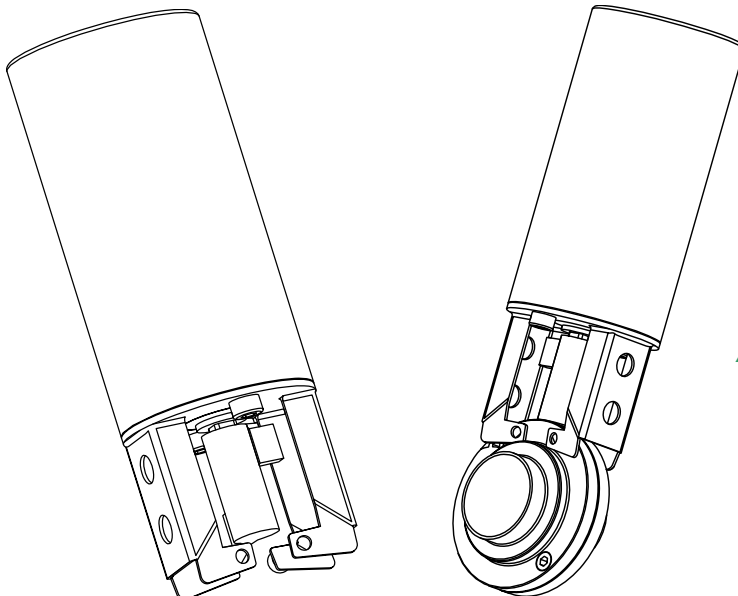


| SIZE | FLAPS | MULTI POS HANDLE |
|-------|--------|------------------|
| 12mm | 42.00 | 35.00 |
| 18mm | 42.00 | 35.00 |
| 25mm | 42.00 | 35.00 |
| 38mm | 47.00 | 35.00 |
| 50mm | 55.00 | 35.00 |
| 63mm | 63.00 | 35.00 |
| 76mm | 74.00 | 35.00 |
| 100mm | 107.00 | 35.00 |
| | (GBV1) | (GBV3) |

GEORDI B'FLY VALVE P/P C/W VERTICAL ACTUATOR

(GBVA)

(GBV4)



| SIZE | PRICE |
|-------|--------|
| 25mm | 556.00 |
| 38mm | 560.00 |
| 50mm | 590.00 |
| 63mm | 610.00 |
| 76mm | 630.00 |
| 100mm | 680.00 |

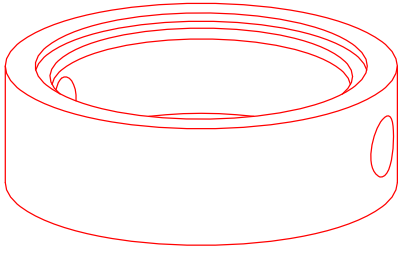
Available in Air-Air or Air-Spring configurations

VERTICAL ACTUATOR ONLY

| SIZE | PRICE |
|-------|--------|
| 25mm | 320.00 |
| 38mm | 320.00 |
| 50mm | 320.00 |
| 63mm | 320.00 |
| 76mm | 320.00 |
| 100mm | 320.00 |

SUDMO SILICONE B'FLY SEAL

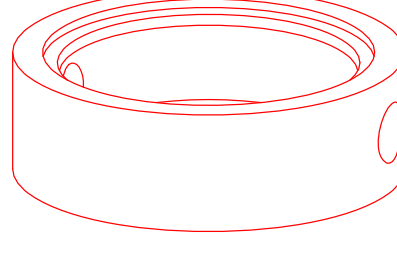
(SU11) (SU12)



| SIZE | GEN | NON GEN |
|-------|--------|---------|
| 25mm | 84.00 | 16.00 |
| 38mm | 84.00 | 18.00 |
| 50mm | 96.00 | - |
| 63mm | 107.00 | - |
| 76mm | 140.00 | - |
| 100mm | 157.00 | - |

GEORDI SILICONE B'FLY SEAL

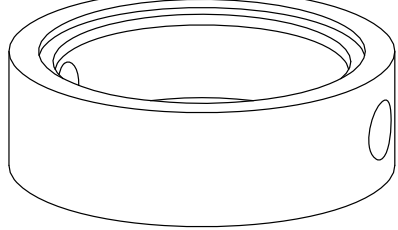
(GBVS)



| SIZE | PRICE |
|-------|-------|
| 12mm | 15.00 |
| 18mm | 15.00 |
| 25mm | 15.00 |
| 38mm | 16.50 |
| 50mm | 18.00 |
| 63mm | 26.50 |
| 76mm | 30.00 |
| 100mm | 50.00 |
| 150mm | POA |
| 200mm | POA |

SUDMO EPDM B'FLY SEAL

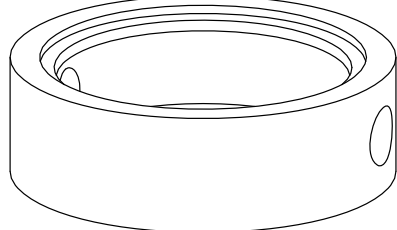
(SU16)



| SIZE | PRICE |
|-------|--------|
| 25mm | 84.00 |
| 38mm | 84.00 |
| 50mm | 96.00 |
| 63mm | 107.00 |
| 76mm | 140.00 |
| 100mm | 157.00 |

GEORDI EPDM B'FLY SEAL

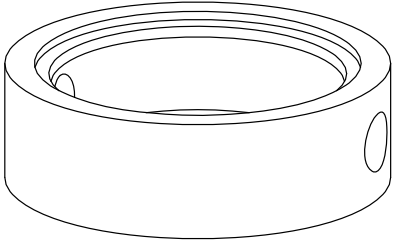
(GBVE)



| SIZE | PRICE |
|-------|-------|
| 12mm | 15.00 |
| 18mm | 15.00 |
| 25mm | 15.00 |
| 38mm | 16.50 |
| 50mm | 18.00 |
| 63mm | 26.50 |
| 76mm | 30.00 |
| 100mm | 50.00 |
| 150mm | POA |
| 200mm | POA |

SUDMO VITON B'FLY SEAL

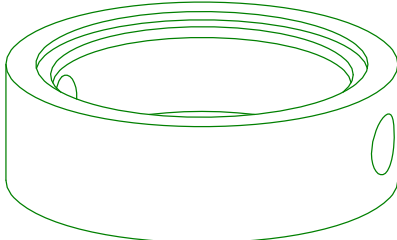
(SU14)



| SIZE | PRICE |
|-------|--------|
| 25mm | 237.00 |
| 38mm | 237.00 |
| 50mm | 280.00 |
| 63mm | 325.00 |
| 76mm | 483.00 |
| 100mm | 520.00 |

GEORDI VITON B'FLY SEAL

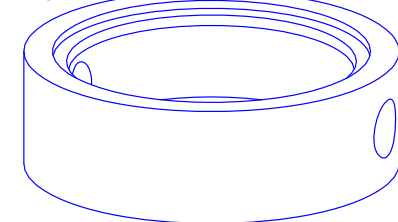
(GBVV)



| SIZE | PRICE |
|-------|--------|
| 12mm | 46.00 |
| 18mm | 46.00 |
| 25mm | 46.00 |
| 38mm | 65.00 |
| 50mm | 69.00 |
| 63mm | 114.00 |
| 76mm | 123.00 |
| 100mm | 190.00 |
| 150mm | POA |
| 200mm | POA |

SUDMO HYPALON B'FLY SEAL

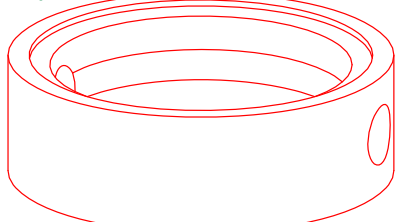
(SU13)



| SIZE | PRICE |
|-------|--------|
| 25mm | 84.00 |
| 38mm | 84.00 |
| 50mm | 96.00 |
| 63mm | 107.00 |
| 76mm | 140.00 |
| 100mm | 157.00 |

LK SILICONE B'FLY SEAL

(LKS)



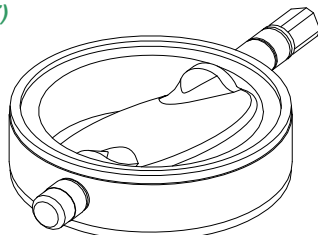
| SIZE | PRICE |
|------|-------|
| 25mm | 22.00 |
| 38mm | 24.00 |
| 50mm | 25.00 |
| 63mm | 30.00 |

***NON GENUINE**

Genuine available
POA

SUDMO TEFLON B'FLY SEAL

(SU17)

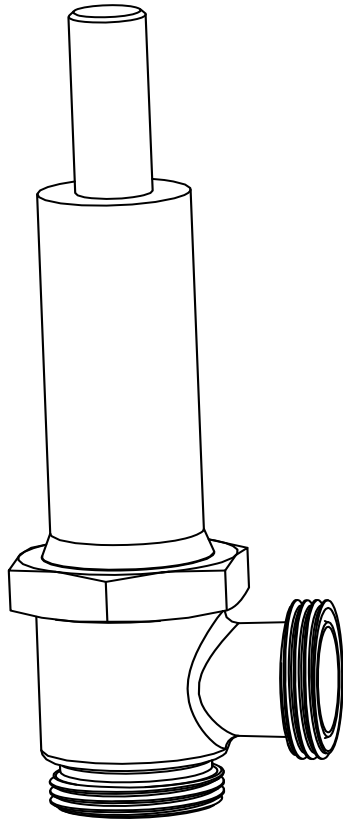


| SIZE | PRICE |
|-------|-------|
| 25mm | POA |
| 38mm | POA |
| 50mm | POA |
| 63mm | POA |
| 76mm | POA |
| 100mm | POA |

Complete with Flap

GEORDI PRESSURE RELIEF VALVE

(PRV)



| SIZE | RANGE (BAR) | PRICE |
|-------|-------------|---------|
| 25mm | 2 - 10 | 815.00 |
| 38mm | 2 - 10 | 860.00 |
| 50mm | 2 - 10 | 990.00 |
| 63mm | 2 - 10 | 1460.00 |
| 76mm | 2 - 3.5 | 1895.00 |
| 76mm | 3.5 - 7 | 2150.00 |
| 76mm | 7 - 10 | 2400.00 |
| 100mm | 2 - 3.5 | 3160.00 |
| 100mm | 3.5 - 7 | 3415.00 |
| 100mm | 7 - 10 | 3670.00 |

100mm B/Weld as Std

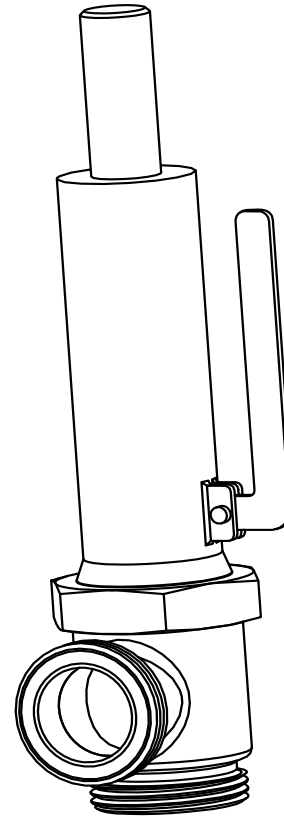
GEORDI PRV SPARE PARTS

| SIZE | SEAL *PER* | |
|-------|------------|--------|
| | KIT | SPRING |
| 25mm | 25.00 | 110.00 |
| 38mm | 25.00 | 110.00 |
| 50mm | 25.00 | 110.00 |
| 63mm | 30.00 | 110.00 |
| 76mm | 30.00 | 240.00 |
| 100mm | 30.00 | 240.00 |

(PRV1) (PRV2)

GEORDI PRV C/W MANUAL OVERRIDE

(PRVM)



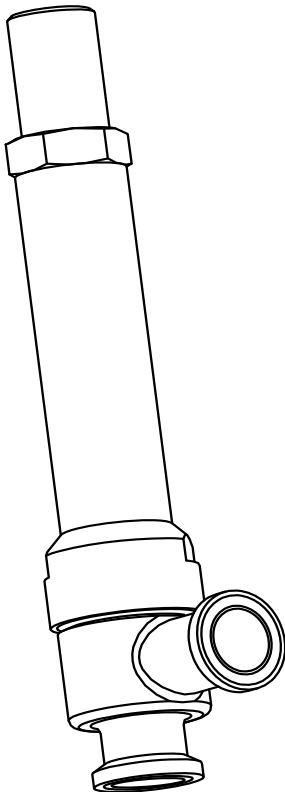
| SIZE | RANGE (BAR) | PRICE |
|-------|-------------|---------|
| 25mm | 2 - 10 | 1230.00 |
| 38mm | 2 - 10 | 1270.00 |
| 50mm | 2 - 10 | 1410.00 |
| 63mm | 2 - 10 | 1895.00 |
| 76mm | 2 - 3.5 | 2340.00 |
| 76mm | 3.5 - 7 | 2595.00 |
| 76mm | 7 - 10 | 2845.00 |
| 100mm | 2 - 3.5 | 3605.00 |
| 100mm | 3.5 - 7 | 3860.00 |
| 100mm | 7 - 10 | 4110.00 |

100mm B/Weld as Std

STANDARD VALVES ARE DESIGNED TO WORK BETWEEN 2-10 BAR (25-150 PSI). ALL OTHER SPRING SETTINGS POA

GEORDI FERRULE PRV

(PRVF)



| SIZE | PRICE |
|------|--------|
| 12mm | 730.00 |
| 18mm | 730.00 |

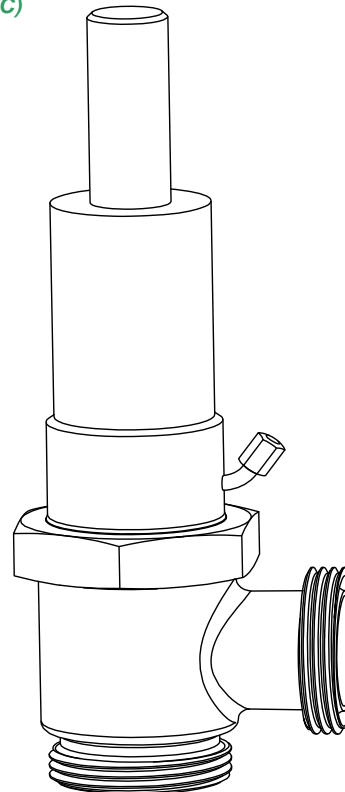
GEORDI PRV SPARE PARTS

| SIZE | SEAL *PER* | |
|------|------------|--------|
| | KIT | SPRING |
| 12mm | 25.00 | 110.00 |
| 18mm | 25.00 | 110.00 |

(PRV1) (PRV2)

GEORDI CIP PRV

(PRVC)

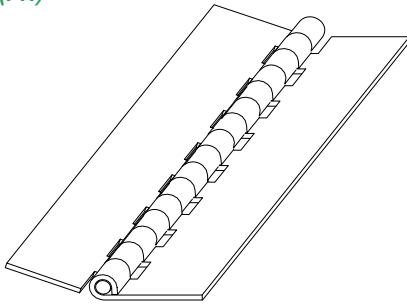


| SIZE | RANGE (BAR) | PRICE |
|-------|-------------|---------|
| 25mm | 2 - 10 | 1325.00 |
| 38mm | 2 - 10 | 1360.00 |
| 50mm | 2 - 10 | 1585.00 |
| 63mm | 2 - 10 | 2080.00 |
| 76mm | 2 - 3.5 | 2530.00 |
| 76mm | 3.5 - 7 | 2785.00 |
| 76mm | 7 - 10 | 3035.00 |
| 100mm | 2 - 3.5 | 3795.00 |
| 100mm | 3.5 - 7 | 4050.00 |
| 100mm | 7 - 10 | 4300.00 |

100mm B/Weld as Std

PIANO HINGE

(PH)

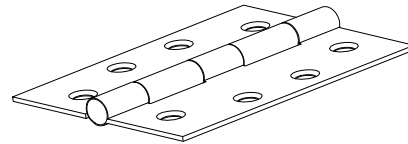


| SIZE | | PRICE |
|------|--------|-------|
| 25mm | (open) | 50.00 |
| 38mm | (open) | 57.00 |
| 50mm | (open) | 63.00 |

Available in 1800mm Lengths

BUTT HINGES

(BH)



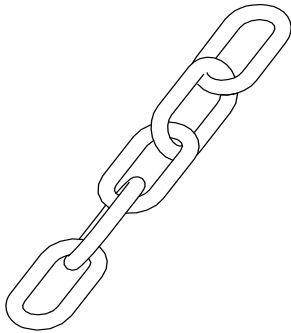
| Width/ Length | PRICE |
|------------------|-------|
| 40x50 | 8.00 |
| 70x50 | 10.00 |
| 60x85 | 11.50 |
| 75x100 | 14.00 |

HEAVY DUTY

| | |
|---------|-------|
| 75x100 | 36.50 |
| 100x100 | 44.50 |

(BHHD)

STAINLESS STEEL CHAIN

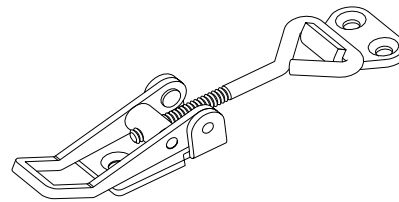


| SIZE | Under Packed | |
|-------|--------------|-------|
| | 30M | 30M |
| 2mm | 10.00 | 8.00 |
| 2.5mm | 11.00 | 9.00 |
| 3mm | 11.00 | 9.00 |
| 4mm | 15.00 | 13.00 |
| 5mm | 17.00 | 14.00 |
| 6mm | 28.00 | 24.00 |
| 8mm | 60.00 | 52.00 |

(SSC1) (SSC3)

TOGGLE CLAMPS

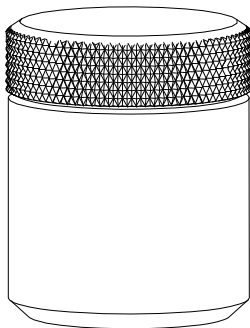
(TC)
(TCHD)



| SIZE | PRICE |
|----------|-------|
| STANDARD | 14.00 |
| H/DUTY | 52.00 |

GEORDI SEPTUM SAMPLING POINT

(SSP)

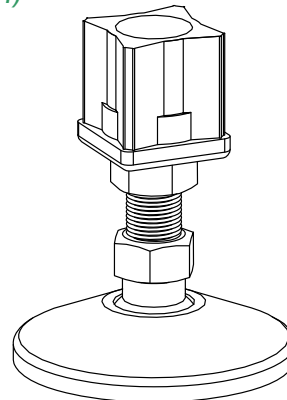


| PRICE |
|--------|
| 125.00 |

| Spare Seal to suit | PRICE |
|--------------------|-------|
| (SSP1) | 1.50 |

ADJUSTABLE FEET

(AF1)



| SIZE | | PRICE |
|------|-------|-------|
| 25mm | (SQR) | 6.00 |
| 31mm | (SQR) | 7.50 |
| 38mm | | 29.00 |
| 50mm | | 32.00 |

25 & 31mm only available to suit square.

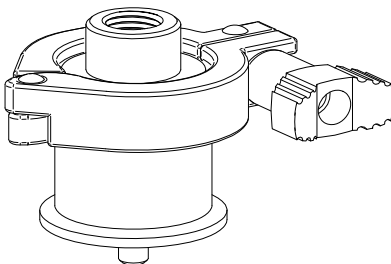
SPARE FEET

| | |
|------|-------|
| 38mm | 20.00 |
| 50mm | 20.00 |

(AF2)

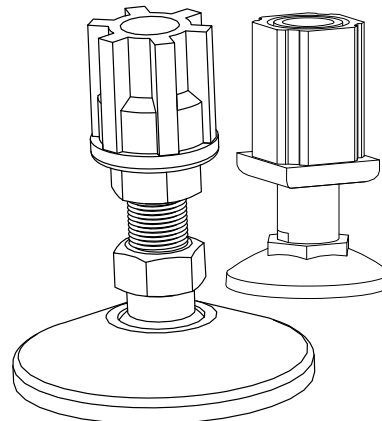
GEORDI AIR BLOW VALVE

(ABV5)



| PRICE |
|--------|
| 520.00 |

Valve to allow compressed air to be blown into lines. Valve is closed/sealed in the inactive state.



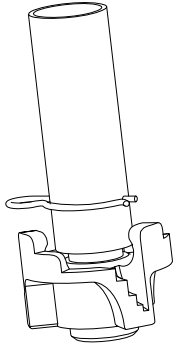
SPARE INSERTS

| | |
|------|-------|
| 38mm | 9.00 |
| 50mm | 12.00 |

(AF3)

ROTATING TANK CLEANER

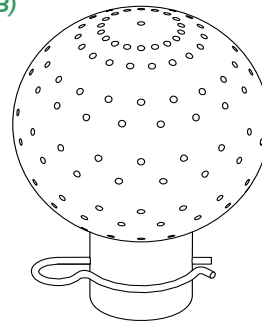
(RTC)



| SIZE | PRICE |
|-----------|--------|
| 12mm BSP | 815.00 |
| 25mm Tube | 380.00 |
| 38mm Tube | 560.00 |

SPRAY BALL

(SB)

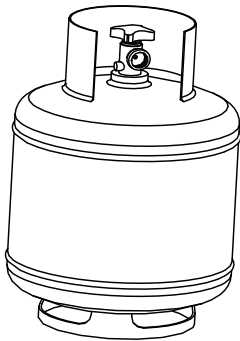


| SIZE | BALL | HOLES | PRICE |
|------|------|-------|--------|
| 18mm | 38mm | 1.6mm | 95.00 |
| 25mm | 63mm | 1.6mm | 100.00 |
| 38mm | 63mm | 2.5mm | 105.00 |
| 50mm | 90mm | 2.5mm | 175.00 |

Spare R Clips (SB1) \$9.00

S/S 316 GAS BOTTLES

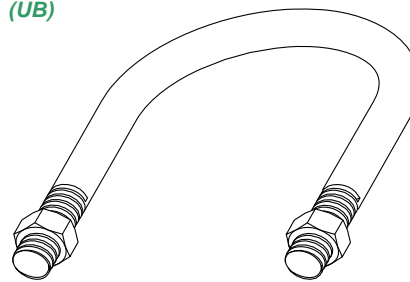
(SSGB)



| SIZE | PRICE |
|-------|--------|
| 1.3Kg | 360.00 |
| 2.5Kg | 405.00 |
| 3.4Kg | 420.00 |
| 4.5Kg | 435.00 |
| 5.8Kg | 450.00 |
| 9.0Kg | 545.00 |
| 10 Kg | 560.00 |

S/S "U" BOLTS

(UB)



| SIZE | Suit Tube | Suit Pipe |
|-------|-----------|-----------|
| 12mm | - | 10.00 |
| 18mm | - | 10.00 |
| 25mm | 10.00 | 10.00 |
| 31mm | 10.00 | 11.00 |
| 38mm | 11.00 | 11.00 |
| 50mm | 11.00 | 11.50 |
| 63mm | 11.50 | 12.00 |
| 76mm | 12.00 | 17.00 |
| 89mm | 17.00 | - |
| 100mm | 21.50 | 26.50 |

316 CUT DISCS

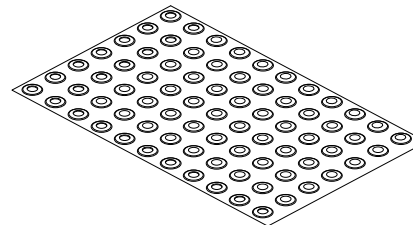


| SIZE | 6mm 12mm | |
|-------|----------|--------|
| | THICK | THICK |
| 100mm | 26.00 | 52.00 |
| 114mm | 31.00 | 62.00 |
| 125mm | 36.00 | 72.00 |
| 140mm | 42.00 | 84.00 |
| 150mm | 48.00 | 96.00 |
| 175mm | 59.00 | 118.00 |
| 200mm | 70.00 | 140.00 |

(CD6) (CD12)

WALK PLATE

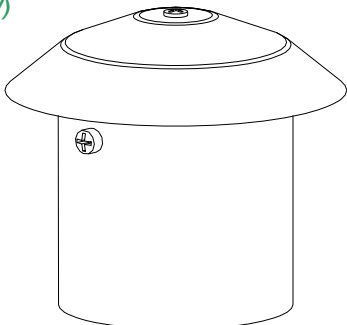
(WP)



| SIZE | PRICE |
|-----------|---------|
| 2400x1200 | 1150.00 |
| 2mm 304 | |

SAFETY VALVE

(SV)

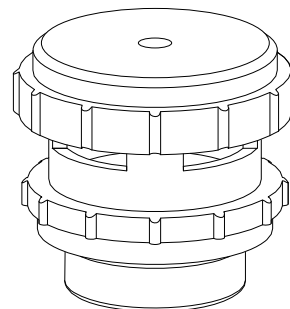


| | PRICE |
|-----------|--------|
| 50mm Pipe | 145.00 |
| 75mm Pipe | 230.00 |

FOR BLOW-OFF AND VACUUM RELIEF

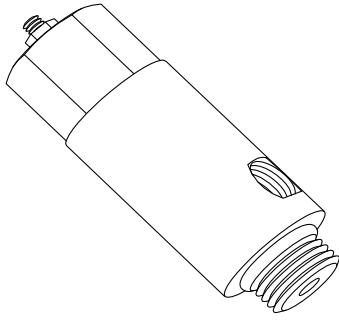
PRESSURE VACUUM VENT

(PVV)



| | PRICE |
|--|--------|
| | 100.00 |

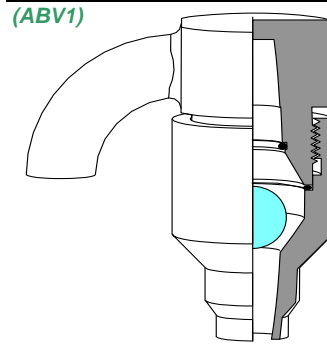
GEORDI BSP WATER JACKET PROTECTION VALVE



| SIZE | PRICE |
|------|--------|
| 12mm | 410.00 |

(WJPV)

GEORDI AIR BLEED VALVE



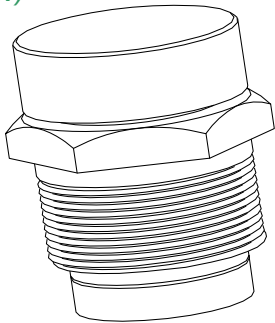
| SIZE | PRICE |
|------|--------|
| 18mm | 460.00 |

(ABV2)

Spare HDPE BALL
(Floatable)

| | |
|------|-------|
| 19mm | 20.00 |
|------|-------|

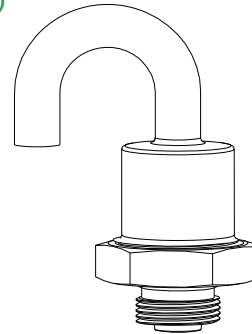
GEORDI BSP VACUUM RELIEF VALVE



| SIZE | PRICE |
|------|--------|
| 50mm | 535.00 |

(VRV)

GEORDI BSM AIR BLEED VALVE



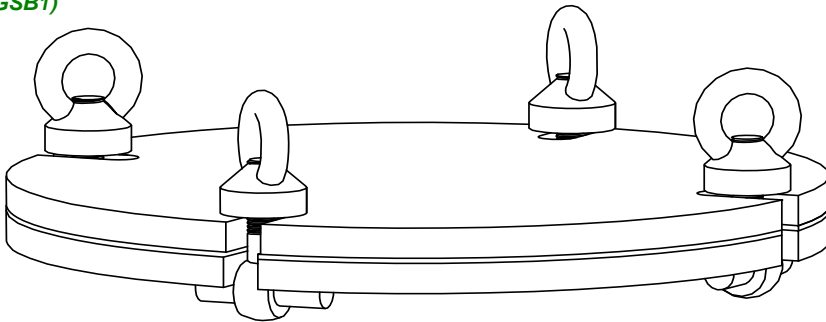
| SIZE | PRICE |
|------|--------|
| 25mm | 510.00 |

(ABV4)

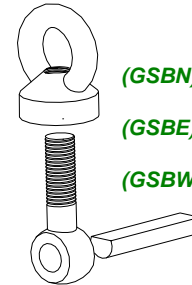
Spare HDPE BALL
(Floatable)

| | |
|------|-------|
| 31mm | 20.00 |
|------|-------|

GEORDI SWING BOLTS



(GSB1)



(GSBN)

(GSBE)

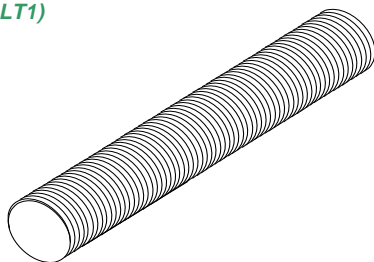
(GSBW)

| SIZE(set) | PRICE |
|-----------|-------|
| 12mm | 55.00 |
| 16mm | 65.00 |

| SIZE | PRICE |
|-------------|-------|
| 12mm Nut | 18.00 |
| 12mm E Bolt | 31.00 |
| 12mm Wedge | 6.00 |

| SIZE | PRICE |
|-------------|-------|
| 16mm Nut | 22.00 |
| 16mm E Bolt | 34.00 |
| 16mm Wedge | 9.00 |

METRIC ALLTHREAD 304

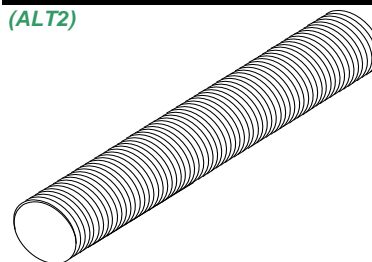


(ALT1)

| SIZE | PRICE |
|------|-------|
| 5mm | 5.50 |
| 6mm | 6.00 |
| 8mm | 10.00 |
| 10mm | 15.00 |
| 12mm | 19.50 |
| 16mm | 39.00 |
| 20mm | 56.00 |
| 24mm | 95.00 |

1M LENGTHS

UNC ALLTHREAD 304

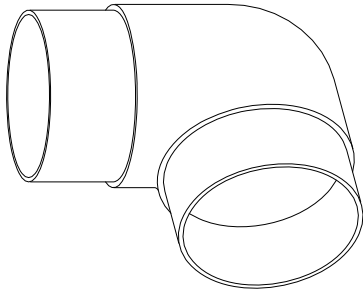


(ALT2)

| SIZE | PRICE |
|-------------|-------|
| 6mm (1/4") | 4.00 |
| 8mm (5/16") | 6.50 |
| 10mm (3/8") | 7.50 |
| 12mm (1/2") | 17.00 |
| 15mm (5/8") | 25.00 |
| 18mm (3/4") | 44.00 |
| 22mm (7/8") | 68.00 |
| 25mm (1") | 75.00 |

900mm LENGTHS

90° FLUSH JOINER

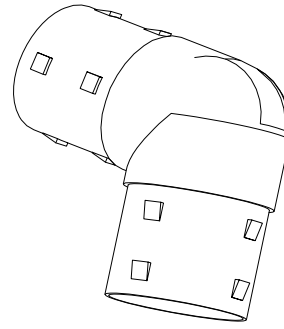


| SIZE | PRICE |
|------|-------|
| 38mm | 33.00 |
| 50mm | 41.00 |

(HR1)

ADJUSTABLE FLUSH JOINER

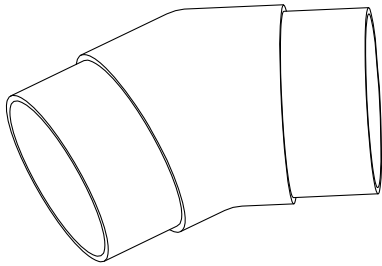
(HR2)



| SIZE | PRICE |
|------|--------|
| 38mm | 83.00 |
| 50mm | 106.50 |

135° FLUSH JOINER

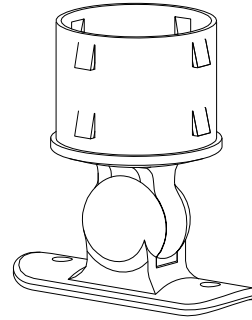
(HR3)



| SIZE | PRICE |
|------|-------|
| 38mm | 33.00 |
| 50mm | 41.00 |

ADJUSTABLE RAIL SUPPORT

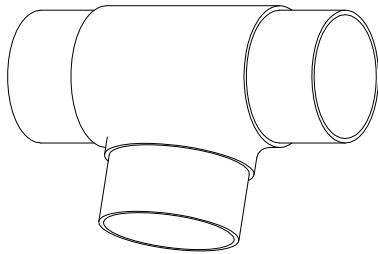
(HR4)



| SIZE | PRICE |
|------|-------|
| 38mm | 36.00 |
| 50mm | 50.00 |

To suit round or square posts

FLUSH JOINER TEE

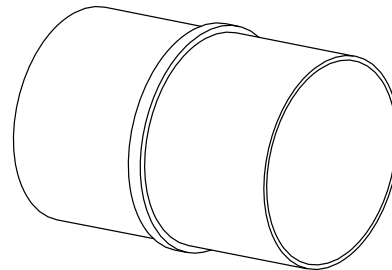


| SIZE | PRICE |
|------|-------|
| 38mm | 36.50 |
| 50mm | 50.00 |

(HR5)

INLINE FLUSH JOINER

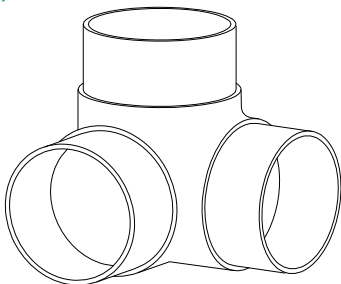
(HR6)



| SIZE | PRICE |
|------|-------|
| 38mm | 14.50 |
| 50mm | 21.00 |

FLUSH JOINER 90° TEE

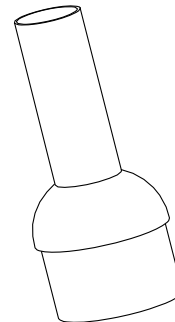
(HR7)



| SIZE | PRICE |
|------|-------|
| 38mm | 37.50 |
| 50mm | 52.00 |

POST REDUCER DOME

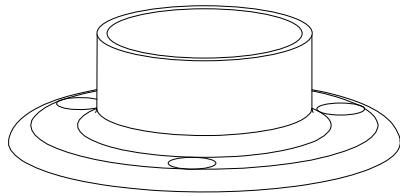
(HR8)



| SIZE | PRICE |
|------|-------|
| 38mm | 28.50 |
| 50mm | 32.50 |

ROUND BASE PLATE

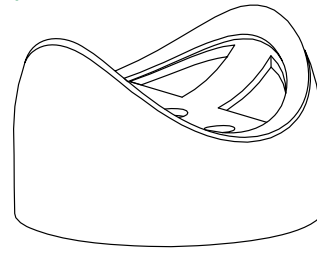
(HR9)



| SIZE | PRICE |
|------|-------|
| 38mm | 28.00 |
| 50mm | 32.00 |

PERPENDICULAR JOINER

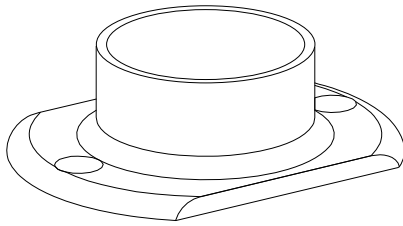
(HR10)



| SIZE | PRICE |
|------|-------|
| 38mm | 10.00 |
| 50mm | 14.50 |

OBLONG BASE PLATE

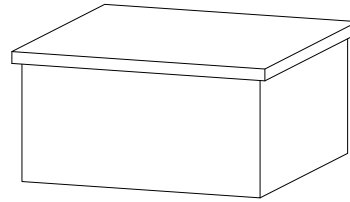
(HR11)



| SIZE | PRICE |
|------|-------|
| 38mm | 25.00 |
| 50mm | 31.00 |

SQUARE FLAT CAP

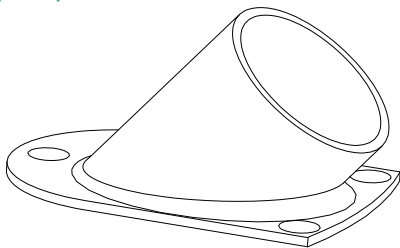
(HR12)



| SIZE | PRICE |
|------|-------|
| 50mm | 19.00 |

WALL STOP FLANGE

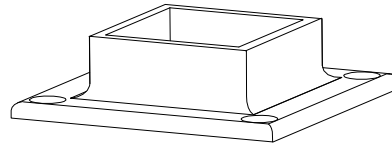
(HR13)



| SIZE | PRICE |
|------|-------|
| 38mm | 33.00 |
| 50mm | 35.50 |

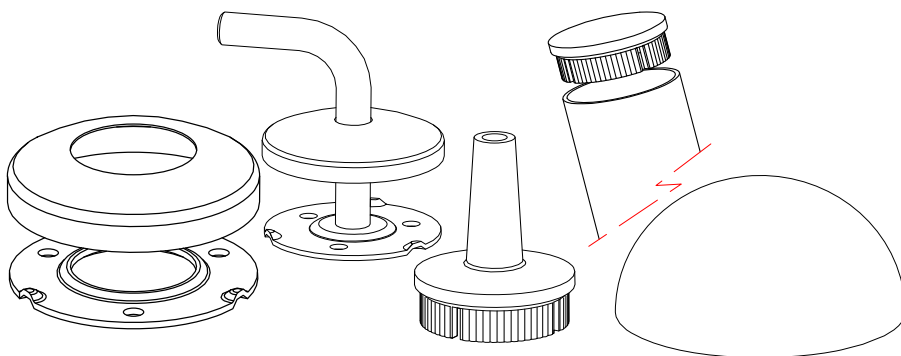
SQUARE BASE PLATE

(HR14)



| SIZE | PRICE |
|------|-------|
| 50mm | 53.00 |

S/S BALUSTRADE FITTINGS - BASE PLATES, END CAPS

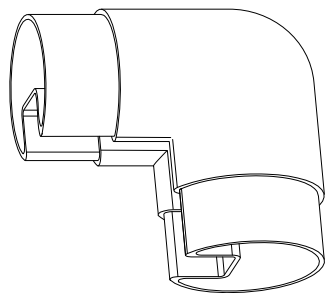


| SIZE | B/Plate & Cover | Push in Cap | Wall Brkt | Rail Conv | Dome Cap |
|-------|-----------------|-------------|-----------|-----------|----------|
| 12mm | 7.00 | - | 20.00 | - | - |
| 19mm | 7.00 | - | - | - | 3.00 |
| 25mm | 7.00 | 4.50 | - | - | 3.50 |
| 31mm | 8.50 | 5.00 | - | - | 4.00 |
| 38mm | 8.50 | 6.50 | - | 8.00 | 5.50 |
| 50mm | 13.00 | 8.50 | - | 11.50 | 7.00 |
| 63mm | 23.50 | 13.00 | - | - | 8.00 |
| 76mm | 28.00 | 17.00 | - | - | 10.00 |
| 100mm | - | 28.00 | - | - | 17.00 |
| 125mm | - | - | - | - | 26.00 |
| 150mm | - | - | - | - | 33.00 |

HRBPC HRPIC HRWB HRRC HRDC

90° SINGLE SLOT ELBOW

(HR15)

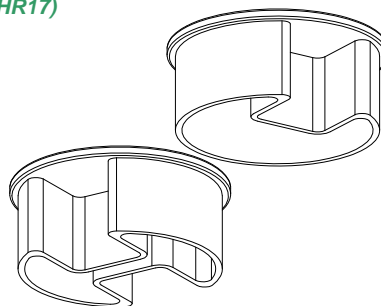


| SIZE | PRICE |
|------|-------|
| 50mm | 51.50 |

SLOTTED PUSH IN CAP

(HR16)

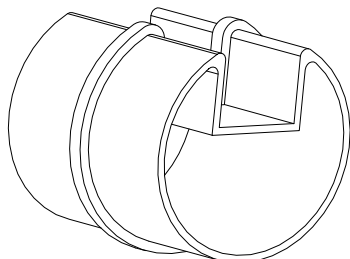
(HR17)



| SIZE | PRICE |
|-----------------|-------|
| 50mm (Sng Slot) | 20.00 |
| 50mm (Dbl Slot) | 21.00 |

SINGLE SLOT STRAIGHT JOINER

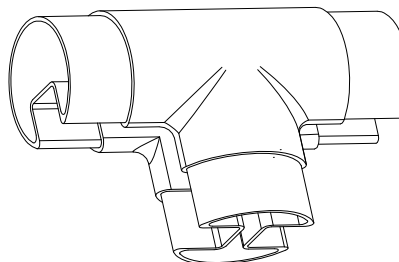
(HR18)



| SIZE | PRICE |
|------|-------|
| 50mm | 25.00 |

DOUBLE SLOT TEE

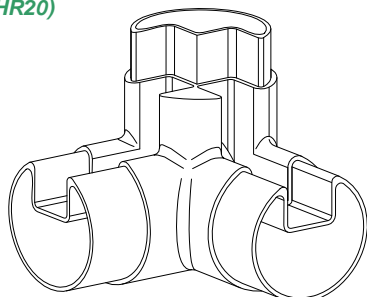
(HR19)



| SIZE | PRICE |
|------|-------|
| 50mm | 73.00 |

SINGLE SLOT 90° TEE

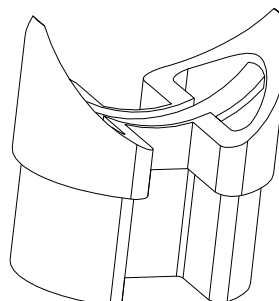
(HR20)



| SIZE | PRICE |
|------|-------|
| 50mm | 77.00 |

DOUBLE SLOT PERP JOINER

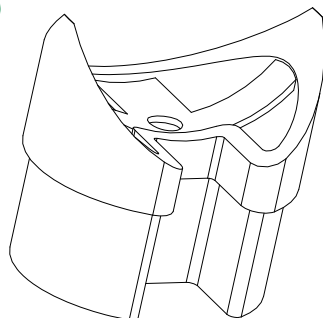
(HR21)



| SIZE | PRICE |
|------|-------|
| 50mm | POA |

SINGLE SLOT PERP JOINER

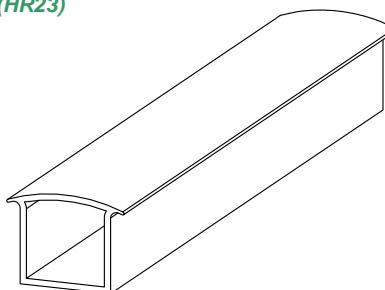
(HR22)



| SIZE | PRICE |
|------|-------|
| 50mm | POA |

SLOTTED TUBE BLANKING STRIP

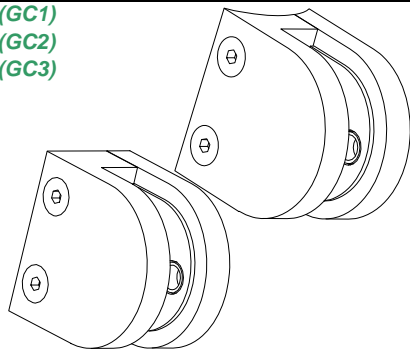
(HR23)



| Per Meter | PRICE |
|-----------|-------|
| | 59.50 |

GLASS CLAMPS

(GC1)
(GC2)
(GC3)

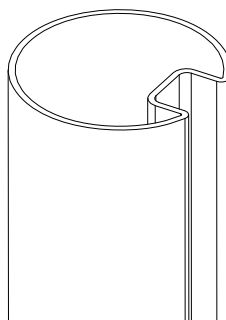


| SIZE | PRICE |
|-------------------------------|-------|
| SMALL - 6 & 8mm Glass | 27.00 |
| MEDIUM - 6, 8 & 10mm Glass | 28.50 |
| LARGE - 8, 10 & 12mm Glass | 37.00 |

To suit round or square posts

SINGLE SLOT TUBE

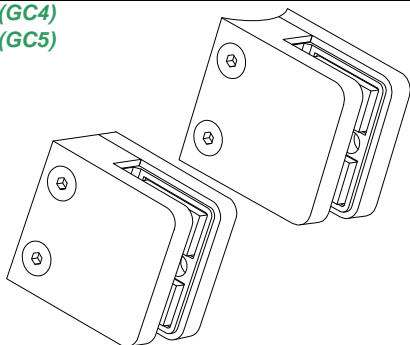
| SIZE | PRICE |
|------|-------|
| 50mm | |



#16 316
600 GRIT POLISH

GLASS CLAMPS (SQUARE)

(GC4)
(GC5)

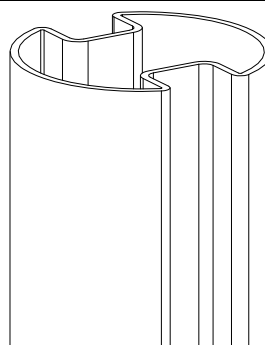


| SIZE | PRICE |
|-------------------------------|-------|
| SMALL - 6 & 8mm Glass | 32.00 |
| LARGE - 8, 10 & 12mm Glass | 34.50 |

To suit round or square posts

DOUBLE 180° SLOT TUBE

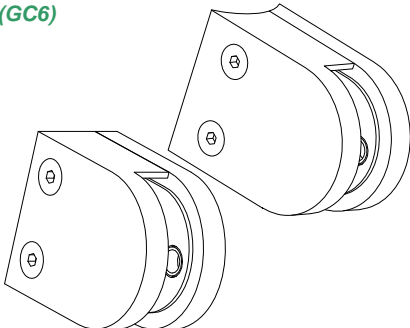
| SIZE | PRICE |
|------|-------|
| 50mm | |



#16 316
600 GRIT POLISH

GLASS CLAMPS LEFT/RIGHT SUPPORT

(GC6)

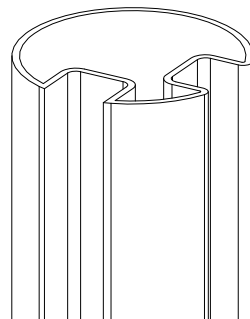


| SIZE | PRICE |
|-------------------------------|-------|
| MEDIUM - 6, 8 & 10mm Glass | 33.00 |

To suit round or square posts

DOUBLE 90° SLOT TUBE

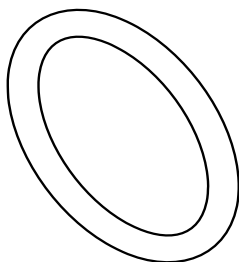
| SIZE | PRICE |
|------|-------|
| 50mm | |



#16 316
600 GRIT POLISH

ROUND RING WELDED

(HRRR)



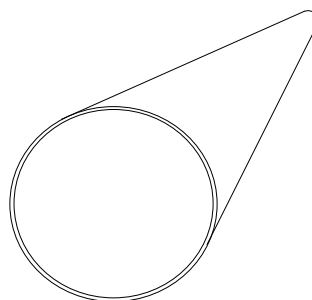
| SIZE | PRICE |
|---------|-------|
| 25x4mm | 1.20 |
| 35x5mm | 1.40 |
| 40x6mm | 1.80 |
| 50x8mm | 3.60 |
| 75x10mm | 7.15 |

Inside Diam x Thickness

304

HANDRAIL TUBE

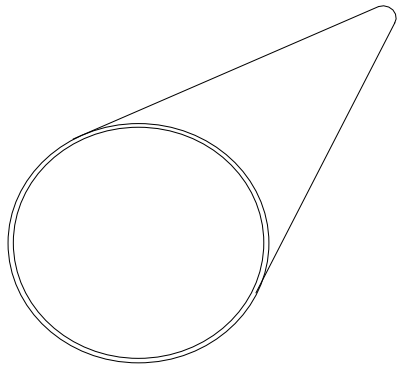
| SIZE | PRICE |
|------|-------|
| 50mm | |



AVAILABLE IN

#10 & #16 Wall
316 & 304 Grade
320 Grit Finish
600 Grit Finish

S/S 316 TUBE POLISHED OD

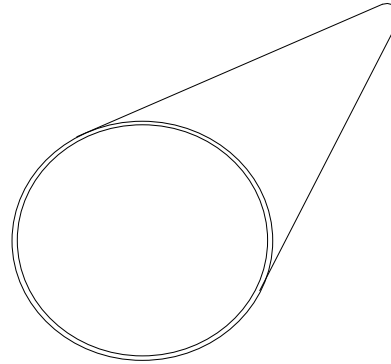


6m Lengths

| SIZE | GAUGE |
|--------|-------|
| 1/8" | #22 |
| 3/16" | #20 |
| 1/4" | #20 |
| 5/16" | #18 |
| 3/8" | #18 |
| 1/2" | #16 |
| 5/8" | #16 |
| 3/4" | #16 |
| 7/8" | #16 |
| 1" | #16 |
| 1 1/4" | #16 |
| 1 1/2" | #16 |
| 1 3/4" | #16 |
| 2" | #16 |
| 2 1/2" | #16 |
| 3" | #16 |
| 3 1/2" | #16 |
| 4" | #16 |
| *5" | #16 |
| *6" | #16 |
| *6" | #14 |
| *8" | #14 |
| *10" | #14 |
| *12" | #14 |

*UNPOLISHED

S/S 304 TUBE POLISHED OD

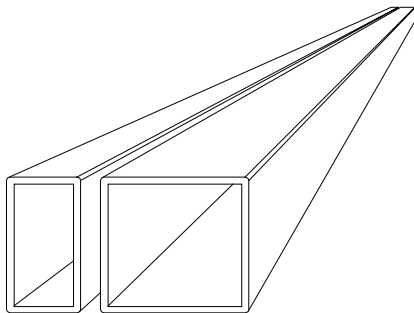


6m Lengths

| SIZE | GAUGE |
|--------|-------|
| 1/2" | #18 |
| 1/2" | #16 |
| 3/4" | #16 |
| 1" | #16 |
| 1 1/2" | #16 |
| 2" | #16 |
| 2 1/2" | #16 |
| 3" | #16 |
| 4" | #16 |
| *6" | #16 |

*UNPOLISHED

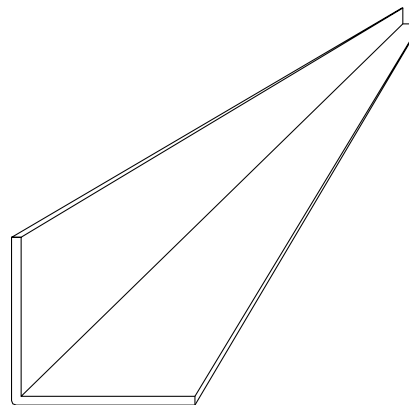
S/S SQUARE & RECTANGLE TUBE 304



6m Lengths

| SIZE | GAUGE |
|--------------|-------|
| 12x12x1.2mm | #18 |
| 18x18x1.2mm | #18 |
| 25x25x1.2mm | #18 |
| 25x25x1.6mm | #16 |
| 25x25x3.0mm | #10 |
| 31x31x1.6mm | #16 |
| 38x38x1.6mm | #16 |
| 38x38x3.0mm | #10 |
| 50x50x1.6mm | #16 |
| 50x50x3.0mm | #10 |
| 76x76x3.0mm | #10 |
| 100x100x3mm | #10 |
| 50x25x1.6mm | #16 |
| 50x25x3mm | #10 |
| 100x50x2.0mm | #14 |

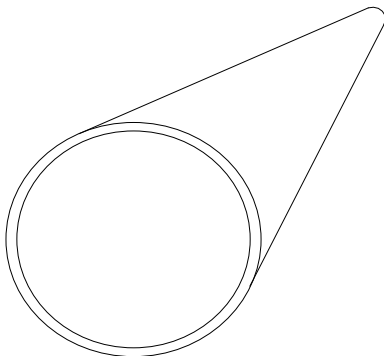
S/S ANGLE 304



6m Lengths

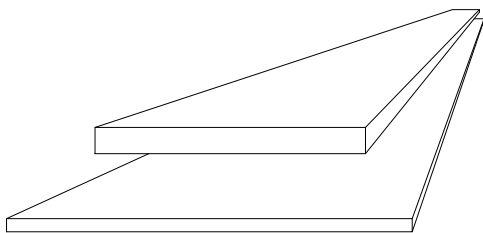
| SIZE | PRICE |
|------------|--------|
| 20x20x3 | 8.50 |
| 25x25x3 | 11.00 |
| 25x25x5 | 17.00 |
| 25x25x6 | 22.00 |
| 30x30x3 | 13.50 |
| 30x30x6 | 27.00 |
| 40x40x3 | 17.50 |
| 40x40x5 | 28.50 |
| 40x40x6 | 35.00 |
| 50x50x3 | 23.00 |
| 50x50x5 | 36.00 |
| 50x50x6 | 46.00 |
| 63x63x6 | 57.00 |
| 75x75x6 | 66.50 |
| 75x75x10 | 106.50 |
| 100x100x6 | 95.00 |
| 100x100x10 | 154.00 |

STAINLESS STEEL PIPE



| SIZE | 304 | 316 | 304 | 316 |
|--------|--------|--------|--------|--------|
| | SCH 10 | SCH 10 | SCH 40 | SCH 40 |
| 1/4" | | | | |
| 3/8" | | | | |
| 1/2" | | | | |
| 3/4" | | | | |
| 1" | | | | |
| 1 1/4" | | | | |
| 1 1/2" | | | | |
| 2" | | | | |
| 2 1/2" | | | | |
| 3" | | | | |
| 4" | | | | |

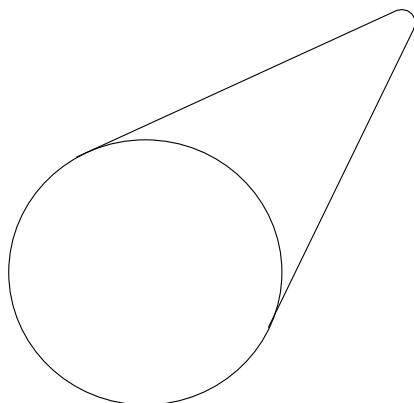
S/S FLAT BAR 304 FLAT



| SIZE | PRICE | SIZE | PRICE |
|---------|-------|----------|--------|
| 12x3mm | 3.00 | 50x10mm | 39.00 |
| 20x3mm | 5.00 | 65x3mm | 15.00 |
| 20x6mm | 10.00 | 65x6mm | 30.00 |
| 25x3mm | 6.00 | 65x10mm | 53.00 |
| 25x5mm | 10.00 | 76x3mm | 17.50 |
| 25x6mm | 12.00 | 76x6mm | 35.00 |
| 25x10mm | 20.00 | 76x10mm | 58.50 |
| 30x3mm | 7.50 | 100x3mm | 24.00 |
| 30x6mm | 15.00 | 100x6mm | 48.00 |
| 30x10mm | 24.50 | 100x10mm | 78.00 |
| 40x3mm | 9.50 | 150x3mm | 35.00 |
| 40x5mm | 15.50 | 150x6mm | 70.00 |
| 40x6mm | 19.00 | 150x10mm | 117.00 |
| 40x10mm | 31.00 | | |
| 50x3mm | 12.00 | | |
| 50x5mm | 19.50 | | |
| 50x6mm | 24.00 | | |

[4 Met Lengths - Prices per met Nett](#)

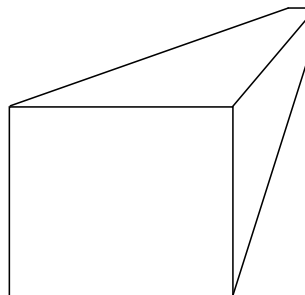
S/S ROUND BAR 316



| SIZE | PRICE |
|--------|---------|
| 1/8" | 1.00 |
| 3/16" | 2.00 |
| 1/4" | 4.00 |
| 5/16" | 6.00 |
| 3/8" | 8.50 |
| 1/2" | 15.00 |
| 5/8" | 23.50 |
| 3/4" | 33.50 |
| 7/8" | 45.50 |
| 1" | 60.00 |
| 1 1/8" | 75.00 |
| 1 1/4" | 93.00 |
| 1 1/2" | 134.00 |
| 1 3/4" | 183.00 |
| 2" | 238.00 |
| 2 1/4" | 302.00 |
| 2 1/2" | 372.00 |
| 2 3/4" | 450.00 |
| 3" | 536.00 |
| 3 1/4" | 630.00 |
| 3 1/2" | 730.00 |
| 3 3/4" | 838.00 |
| 4" | 954.00 |
| 4 1/2" | 1207.00 |
| 5" | 1490.00 |
| 5 1/2" | 1803.00 |
| 6" | 2146.00 |

[4 Met Lengths - Prices per met Nett](#)

S/S SQUARE BAR 316



| SIZE | PRICE |
|------|--------|
| 6mm | 5.50 |
| 8mm | 8.50 |
| 10mm | 13.00 |
| 12mm | 20.50 |
| 16mm | 33.50 |
| 20mm | 52.00 |
| 25mm | 84.00 |
| 32mm | 133.50 |
| 40mm | 208.50 |
| 50mm | 326.00 |

[4 Met Lengths - Prices per met Nett](#)

WELDING & POLISHING

| SIZE | STD WELD | FERRULE WELD |
|-------|----------|--------------|
| | & POLISH | & POLISH |
| 12mm | 37.00 | 49.00 |
| 18mm | 37.00 | 49.00 |
| 25mm | 37.00 | 49.00 |
| 31mm | 42.00 | 56.00 |
| 38mm | 42.00 | 56.00 |
| 50mm | 42.00 | 56.00 |
| 63mm | 50.00 | 66.00 |
| 76mm | 50.00 | 66.00 |
| 100mm | 64.00 | 85.00 |
| 125mm | 130.00 | 173.00 |
| 150mm | 130.00 | 173.00 |
| 200mm | 180.00 | 239.00 |

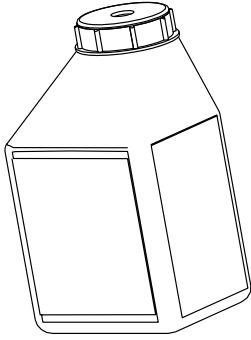
(WP1)

(WP2)

Standard Weld & Polish: *inside weld removed & outside buff polish*
Ferrule Weld & Polish: *inside weld removed & outside higher polish*

PICKLING PASTE

(PP)



| SIZE | PRICE |
|-------|-------|
| 2.5Kg | 86.00 |

FOOD GRADE LUBRICANT

(LUB1)



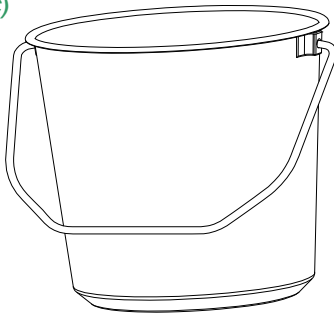
| SIZE | PRICE |
|------|-------|
| 113g | 13.00 |

**Sanitary
Non Toxic
Odorless
Tasteless**

Meets USDA 1998 H-1 Guidelines

S/S BUCKETS

(BUC)



| SIZE | Price |
|--------|-------|
| Small | 58.00 |
| Medium | 67.00 |

Material: 304

SILICONE LUBRICANT

(LUB2)



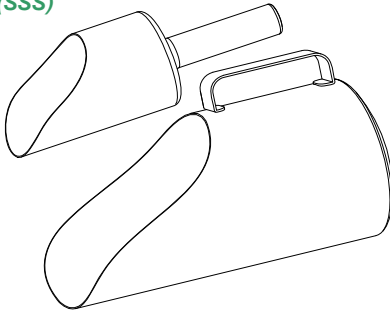
| SIZE | PRICE |
|------|-------|
| 113g | 28.00 |

**Sanitary
Non Toxic
Odorless
Tasteless**

Suitable for EPDM GASKETS

S/S SCOOPS

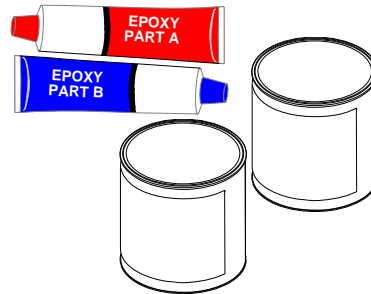
(SSS)



| Volume | Price |
|--------|--------|
| 1L | 310.00 |
| 2L | 340.00 |
| 3L | 350.00 |

2 PART EPOXY GLUE SETS

(EPG30)
(EPG300)

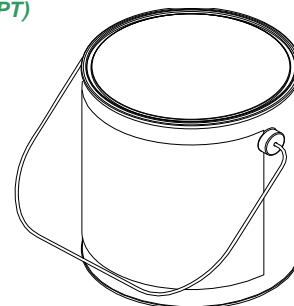


| SIZE | PRICE |
|------|--------|
| 30g | 12.00 |
| 300g | 120.00 |

For fixing Push In fittings

STAINLESS STEEL PAINT

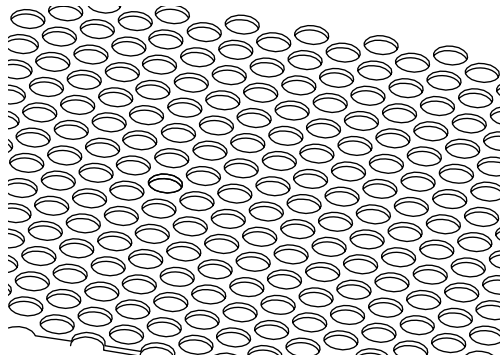
(SSPT)



| SIZE | Price |
|----------|--------|
| 2Kg pack | 780.00 |

Grade: 316L

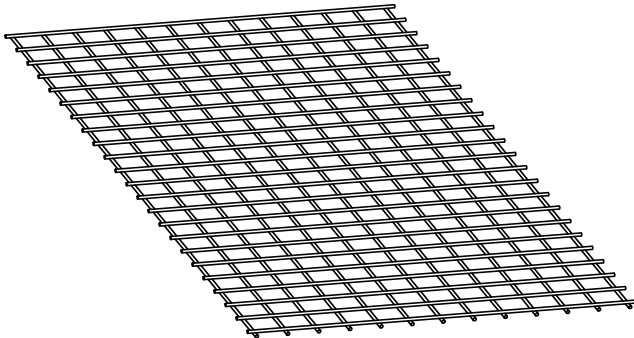
S/S PERFORATED SHEETS (304)



| SIZE | OA | Sheet Dims | Price |
|----------|-----|---------------|-------|
| 0.5mm | 23% | 2000x1000x0.4 | POA |
| 0.8mm | 25% | 2000x1000x0.5 | POA |
| 1mm | 23% | 2000x1000x1.0 | POA |
| 1.6mm | 36% | 2440x1220x0.7 | POA |
| 2mm | 30% | 2000x1000x1.0 | POA |
| 3mm(316) | 50% | 2000x1000x1.0 | POA |
| 4mm | 40% | 2000x1000x1.0 | POA |
| 5mm | 45% | 2000x1000x1.0 | POA |
| 6mm | 45% | 2000x1000x1.0 | POA |
| 8mm | 47% | 2000x1000x1.0 | POA |
| 10mm | 53% | 2000x1000x1.0 | POA |
| 12mm | 45% | 2000x1000x1.5 | POA |
| 15mm | 46% | 2000x1000x1.5 | POA |

S/S WELDED WIRE SHEETS (304)

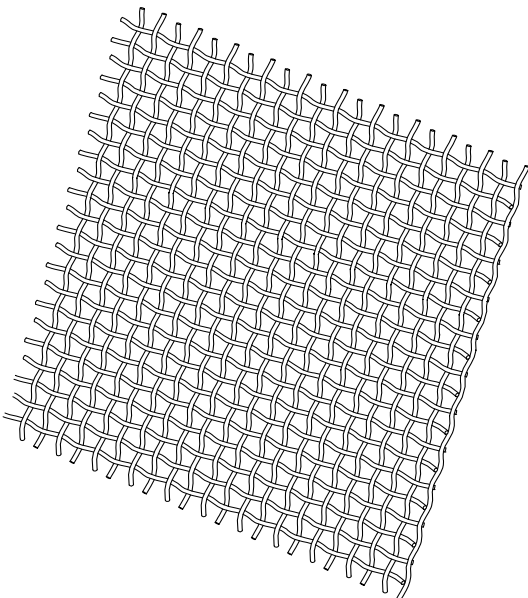
WLD25
WLD50



| SIZE | APT | Sheet Dims | Price |
|---------|-------|-------------|-------|
| 25x25x3 | 21.85 | 2400x1200mm | POA |
| 50x50x3 | 47 | 2500x1200mm | POA |

Nett Prices

S/S WOVEN WIRE MESH (316)



| SIZE (Mesh) | GAUGE | APT (Mircon) | GRADE | WIDTH (mm) | PRICE/Mtr |
|-------------|-------|--------------|-------|------------|-----------|
| 30 Mesh | 32 | 570 | 304 | 1240 | POA |
| 40 Mesh | 34 | 415 | 316 | 1240 | POA |
| 50 Mesh | 36 | 310 | 316 | 1240 | POA |
| 60 Mesh | 37 | 260 | 316 | 1240 | POA |
| 70 Mesh | 38 | 210 | 316 | 1240 | POA |
| 80 Mesh | 39 | 190 | 316 | 1240 | POA |
| 100 Mesh | 42 | 150 | 316 | 1240 | POA |
| 150 Mesh | 45 | 100 | 316 | 1240 | POA |
| 200 Mesh | 47 | 80 | 316 | 1240 | POA |
| 250 Mesh | 48 | 63 | 316 | 1550 | POA |
| 300 Mesh | 48 | 53 | 316 | 1240 | POA |
| 400 Mesh | 49 | 34 | 316 | 1240 | POA |
| 500 Mesh | 50 | 25 | 316 | 1240 | POA |