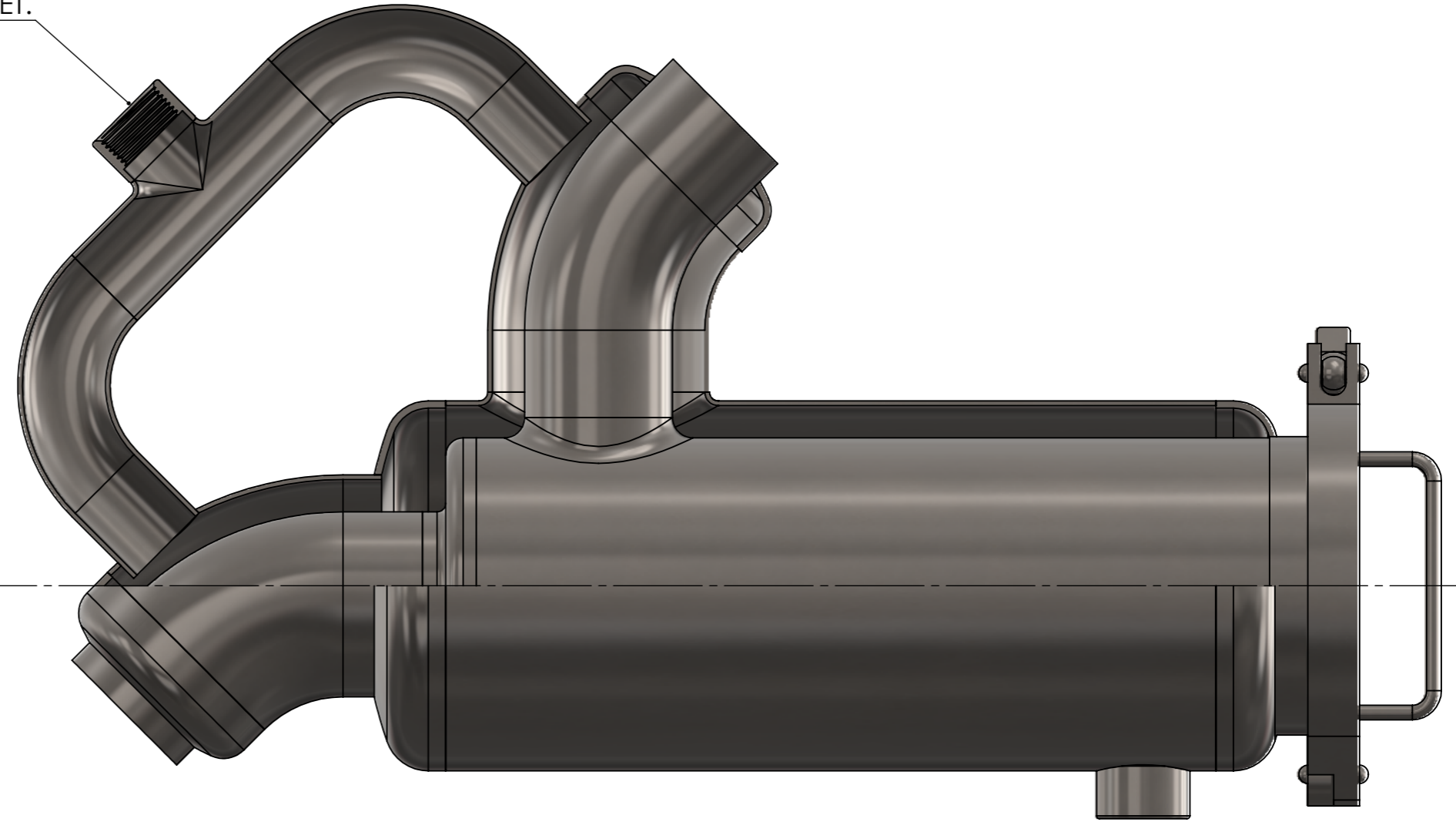


3/4" BSP HALF SOCKET.



SECTION C-C

Material:		This drawing and any information or descriptive material set out on it are the confidential and copyright property of Geordi Stainless Pty Ltd. © and MUST NOT BE DISCLOSED, COPIED, LOANED in whole or part or used for any purpose without the written permission of Geordi Stainless Pty Ltd.		Description: 2" YTYPE STRAINER - MESH	
Finish: Semi Mirror		Document Type: Assembly		Drawn by: B.Pemberton	Drawn Date: 9/10/2018
Unless Otherwise Stated: Linear Tol.: ±0.2, Angular Tol.: 0°15' All Dimensions: mm		Company Confidential		Checked/Approved by:	Checked/Approved Date:
Drawing Scale: 1:2		Legal Owner: GEORDI STAINLESS 131 Herald Street, Cheltenham, Victoria, 3192 03 9553 2000		Part Number:	
Material Thickness:		Projection Method: THIRD ANGLE		Drawing Number: STR_YTYPE_MESH_2	
Sheet Size: A3		Revision: A		Sheet: 1 of 1	