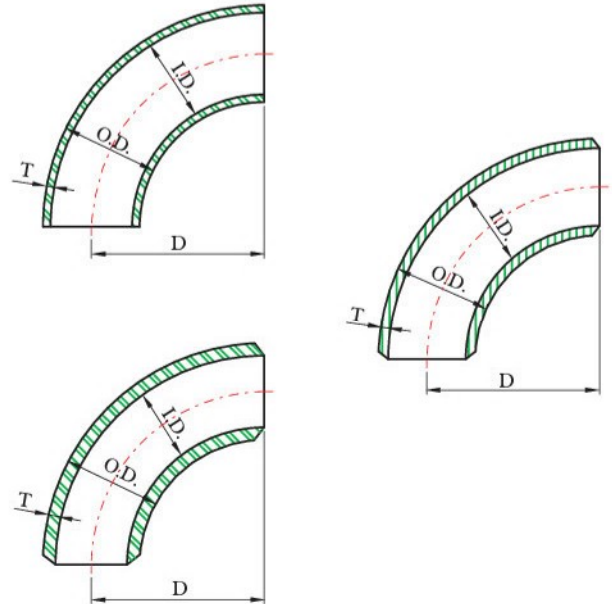


ASTM A403 WELDED FITTINGS

90° SHORT RADIUS ELBOWS



DIMENSIONS

unit : inch / lb

Nominal pipe size	Outside diameter (O.D.)	Center to face (D)	Schedule 10S			Schedule 40S		
			Inside diameter (I.D.)	Wall thickness (T)	Approx. weight **	Inside diameter (I.D.)	Wall thickness (T)	Approx. weight **
1	1.315	1	1.097	.109	.23	1.049	.133	.26
1-1/4	1.660	1-1/4	1.442	.109	.38	1.380	.140	.45
1-1/2	1.900	1-1/2	1.682	.109	.49	1.610	.145	.63
2	2.375	2	2.157	.109	.81	2.067	.154	1.13
2-1/2	2.875	2-1/2	2.635	.120	1.36	2.469	.203	2.25
3	3.500	3	3.260	.120	2.17	3.068	.216	3.31
3-1/2	4.000	3-1/2	3.760	.120	3.05	3.548	.226	4.54
4	4.500	4	4.260	.120	3.79	4.026	.237	6.88
5	5.563	5	5.295	.134	6.12	5.047	.258	11.63
6	6.625	6	6.357	.134	9.15	6.065	.280	17.50
8	8.625	8	8.329	.148	17.63	7.981	.322	37.60
10	10.750	10	10.420	.165	35.00	10.020	.365	63.00
12	12.750	12	12.390	.180	40.00	12.000	.375	80.00