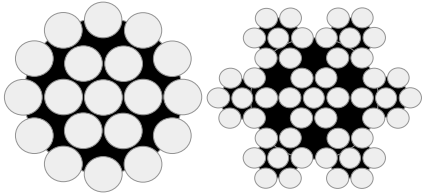


## Wire Rope 316 (Marine Grade)

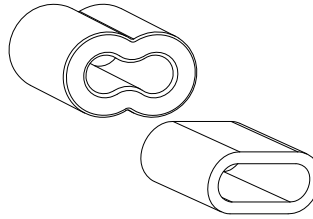


Available in different sizes

Available in 1x19 configuration or 7x7 for more flexibility.

**Marine Grade 316**

## Copper Ferrule



Hand Swage

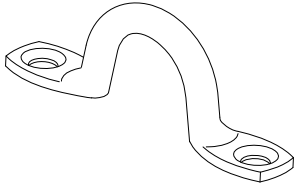
Price POA

Machine Swage

Price POA

To suit 3.2mm Wire

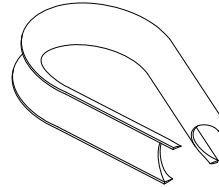
## S/S 316 Saddle



Available in different sizes

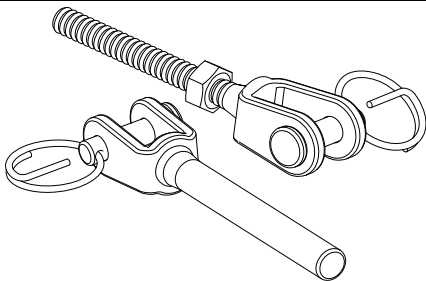
**Marine Grade 316**

## S/S 304 Thimble



Available in different sizes

## Fork Terminal Swage 316

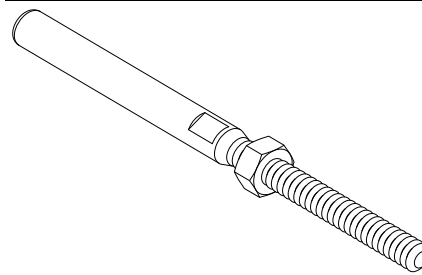


Available Options

- Fork Term Swage
- Fork Terminal Screw W/Lock Nut

**Must be swaged using a Mechanical / Hydraulic Press**

## Threaded Terminal 316

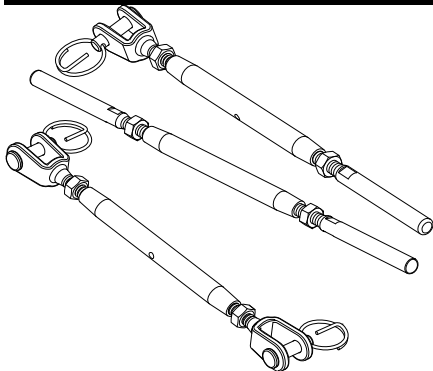


Available in different sizes

**Marine Grade 316**

**Must be swaged using a Mechanical / Hydraulic Press**

## Rigging Screws 316



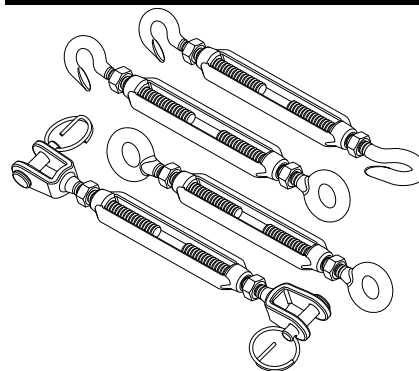
Config Options

- Swg+Swg W/Lock Nuts
- Jaw+Swg W/Lock Nuts
- Jaw+Jaw W/Lock Nuts

**Marine Grade 316**

**Must be swaged using a Mechanical / Hydraulic Press**

## Turn Buckle Open Body W/Lock Nut



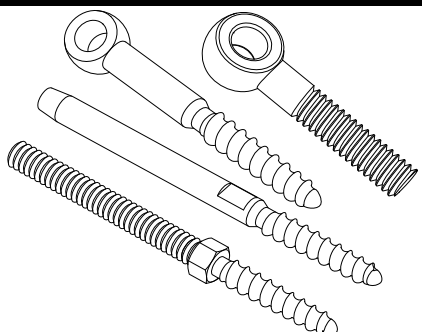
Config Options

- Eye + Eye
- Hook + Eye
- Hook + Hook
- Jaw + Jaw

**Marine Grade 316**

Available in Different sizes

## Eye/Lag Screws 316

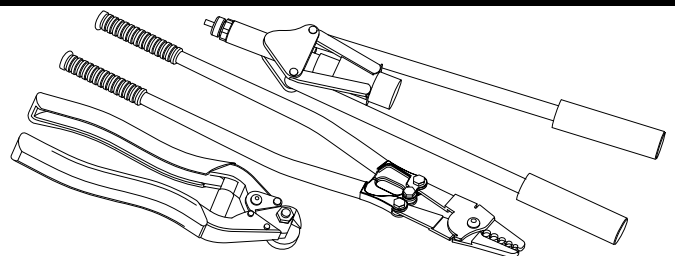


Available Options

- Eye Screw
- Lag Eye Screw
- Lag Screw / Swage Terminal
- Lag Screw/Terminal

**Must be swaged using a Mechanical / Hydraulic Press**

## Cable Tools



Available Tools include:

- Blind Rivet Nut Hand Tools
- Hand Swagers & Wire Rope Cutters