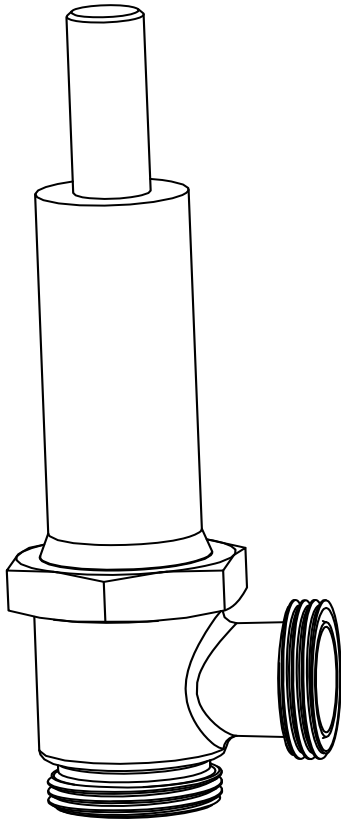


GEORDI PRESSURE RELIEF VALVE

(PRV)



SIZE	RANGE (BAR)	PRICE
25mm	2 - 10	815.00
38mm	2 - 10	860.00
50mm	2 - 10	990.00
63mm	2 - 10	1460.00
76mm	2 - 3.5	1895.00
76mm	3.5 - 7	2150.00
76mm	7 - 10	2400.00
100mm	2 - 3.5	3160.00
100mm	3.5 - 7	3415.00
100mm	7 - 10	3670.00

100mm B/Weld as Std

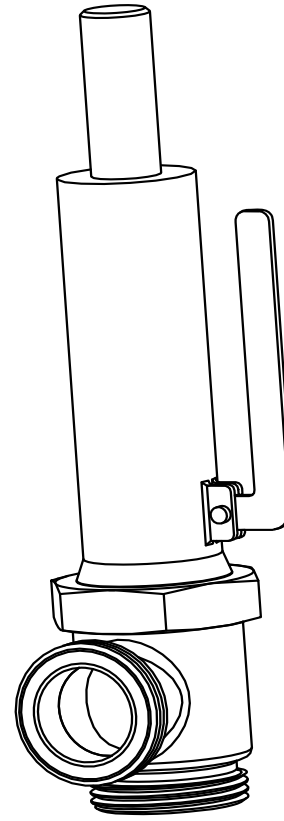
GEORDI PRV SPARE PARTS

SIZE	SEAL *PER*	
	KIT	SPRING
25mm	25.00	110.00
38mm	25.00	110.00
50mm	25.00	110.00
63mm	30.00	110.00
76mm	30.00	240.00
100mm	30.00	240.00

(PRV1) (PRV2)

GEORDI PRV C/W MANUAL OVERRIDE

(PRVM)



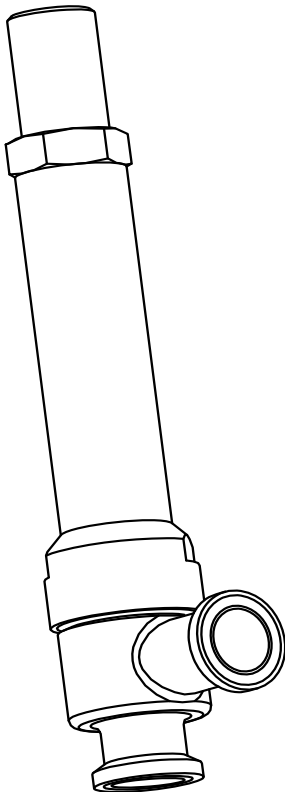
SIZE	RANGE (BAR)	PRICE
25mm	2 - 10	1230.00
38mm	2 - 10	1270.00
50mm	2 - 10	1410.00
63mm	2 - 10	1895.00
76mm	2 - 3.5	2340.00
76mm	3.5 - 7	2595.00
76mm	7 - 10	2845.00
100mm	2 - 3.5	3605.00
100mm	3.5 - 7	3860.00
100mm	7 - 10	4110.00

100mm B/Weld as Std

STANDARD VALVES ARE DESIGNED TO WORK BETWEEN 2-10 BAR (25-150 PSI). ALL OTHER SPRING SETTINGS POA

GEORDI FERRULE PRV

(PRVF)



SIZE	PRICE
12mm	730.00
18mm	730.00

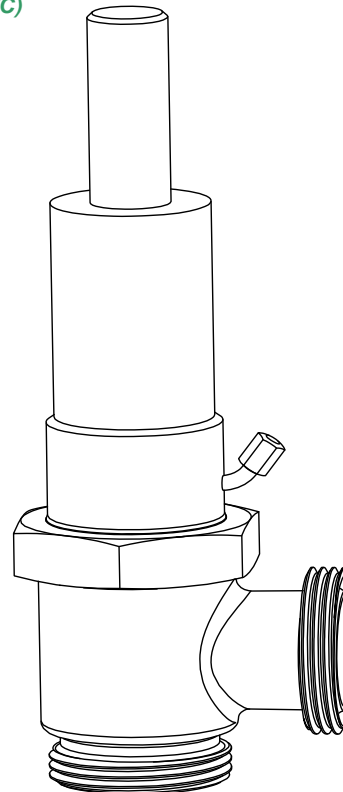
GEORDI PRV SPARE PARTS

SIZE	SEAL *PER*	
	KIT	SPRING
12mm	25.00	110.00
18mm	25.00	110.00

(PRV1) (PRV2)

GEORDI CIP PRV

(PRVC)



SIZE	RANGE (BAR)	PRICE
25mm	2 - 10	1325.00
38mm	2 - 10	1360.00
50mm	2 - 10	1585.00
63mm	2 - 10	2080.00
76mm	2 - 3.5	2530.00
76mm	3.5 - 7	2785.00
76mm	7 - 10	3035.00
100mm	2 - 3.5	3795.00
100mm	3.5 - 7	4050.00
100mm	7 - 10	4300.00

100mm B/Weld as Std