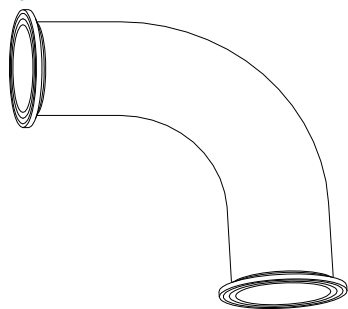


FERRULE 90° BENDS

(FEB)

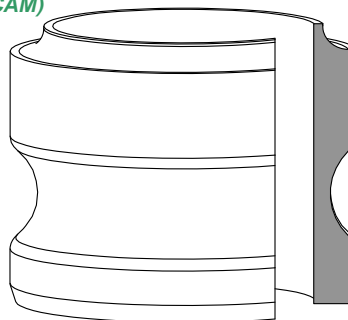


SIZE	PRICE
12mm	69.00
18mm	71.00
25mm	70.00
31mm	83.00
38mm	85.00
50mm	92.00
63mm	127.00
76mm	141.00
100mm	193.00

Material Grade: 316

MALE CAMLOCK B/W

(CAM)

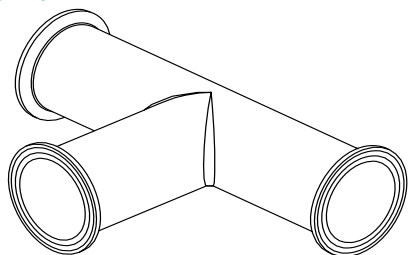


SIZE	PRICE
25mm	35.00
38mm	40.00
50mm	44.00
63mm	55.00
76mm	76.00
100mm	115.00

Material Grade: 316

FERRULE TEES

(FET)

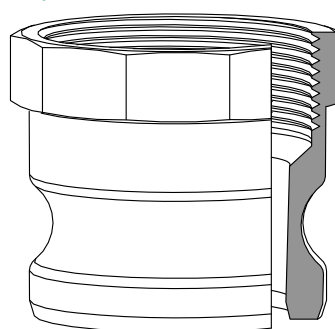


SIZE	PRICE
12mm	105.50
18mm	105.50
25mm	102.50
31mm	119.50
38mm	119.50
50mm	130.50
63mm	180.00
76mm	202.00
100mm	264.00

Material Grade: 316

MALE CAMLOCK > FEMALE BSP

(CAMA)

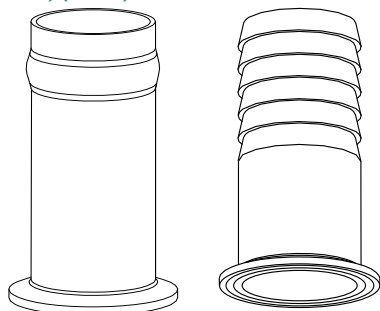


SIZE	PRICE
12mm	9.00
18mm	9.00
25mm	11.50
31mm	15.50
38mm	19.00
50mm	25.00
63mm	52.50
76mm	66.00
100mm	75.00
150mm	187.50

Material Grade: 316

FERRULE HOSETAILS

(FEH1) (FEH2)

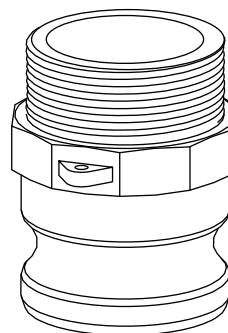


SIZE	Rolled	Barbed
12mm	-	35.00
18mm	-	35.00
25mm	39.50	42.50
31mm	45.00	49.50
38mm	45.00	50.50
50mm	46.50	56.50
63mm	61.50	79.00
76mm	67.00	97.00
100mm	88.00	141.00

(304) (316)

MALE CAMLOCK > MALE BSP

(CAMF)

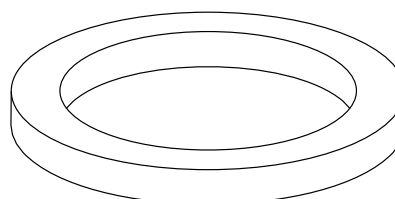


SIZE	PRICE
12mm	13.00
18mm	14.00
25mm	18.00
31mm	23.00
38mm	28.00
50mm	38.00
63mm	55.50
76mm	69.50
100mm	104.50
150mm	320.50

Material Grade: 316

CAMLOCK BUNA GASKET

(CAMG)



SIZE	PRICE
12mm	1.50
18mm	1.50
25mm	1.50
31mm	2.00
38mm	2.00
50mm	2.00
63mm	2.50
76mm	3.00
100mm	4.00
150mm	8.00